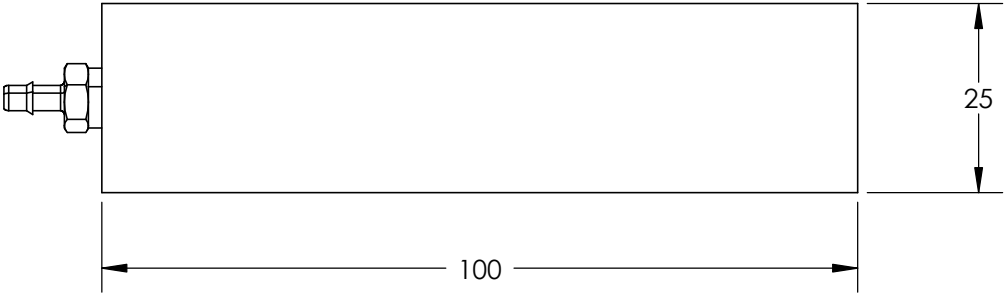
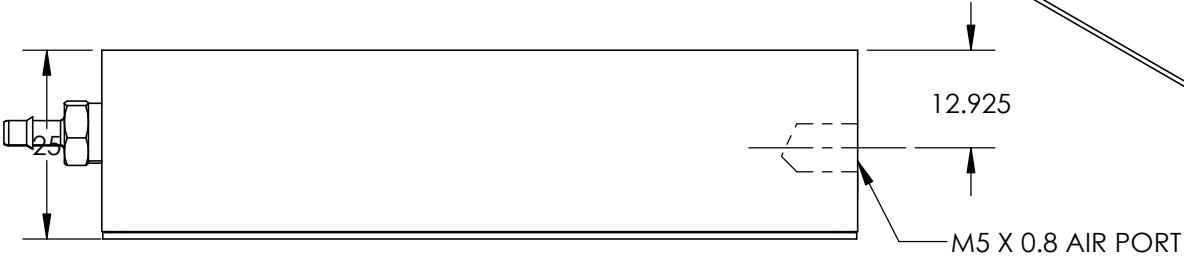
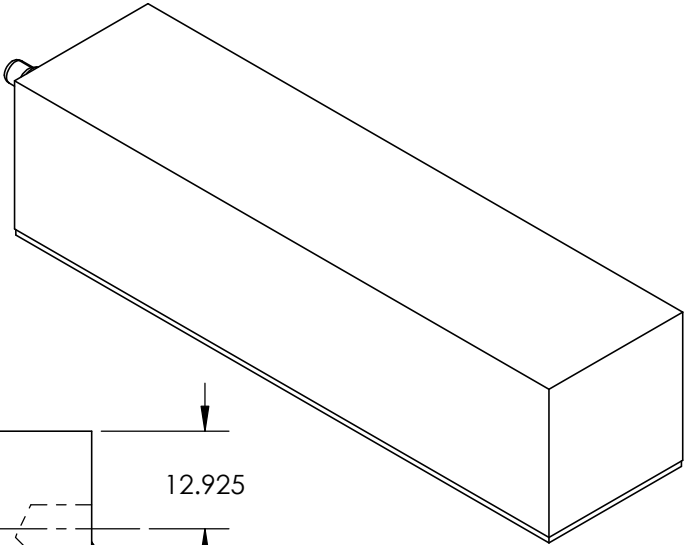



Title	Specification
Size	25mm x 100mm
Part Number	OAVF25L100
Input Pressure	0.27 to 0.68 MPa (40 to 100 PSI)
Ideal Load	499 N (112 lbs)
Stiffness	46 N/micron (.26 lbs/ μ in)
Flow	1.9 NLPM (4.0 SCFH)
Fly Height	5 microns
Bearing Size	25mm x 100mm
Bearing Height	25 mm
Bearing Weight	163 grams
Housing Material/Finish	Aluminum/Anodized
Porous Media Material	Carbon
Flatness	0.0005 mm (0.00002 in)
Pressure Port Thread	M5 x 0.8



UNLESS OTHERWISE SPECIFIED: DIMENSIONS ARE IN MILLIMETERS SURFACE FINISH: TOLERANCES: LINEAR: ANGULAR:		FINISH: ANODIZE AS PER MIL-A-8625		DEBUR AND BREAK SHARP EDGES	
DRAWN	NAME	SIGNATURE	DATE		
CHK'D					
APPV'D					
MFG					
Q.A				MATERIAL: ALUMINUM 7075/CARBON	
				WEIGHT:	

DO NOT SCALE DRAWING

REVISION



TITLE:
**25MM X 100MM
FLAT RECTANGULAR
AIR BEARING**

DWG NO. **OAVF25L100**

A4

SCALE:1:1

SHEET 1 OF 1