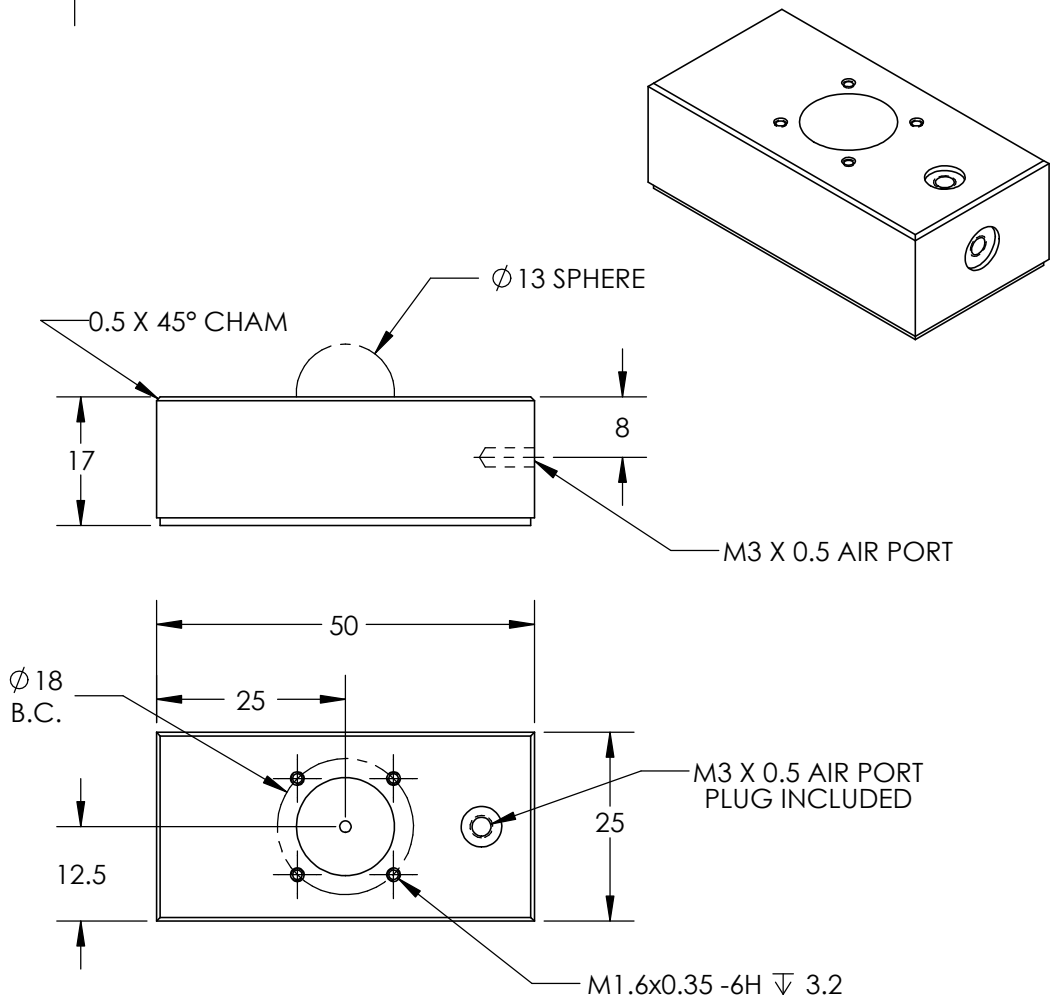


Title	Specification
Size	025mm x 050mm
Part Number	OAVF25L50
Input Pressure	0.27 to 0.68 MPa (40 to 100 PSI)
Ideal Load	250 N (56 lbs)
Stiffness	22 N/micron (0.13 lbs/ μ in)
Flow	1.1 NLPM (2.4 SCFH)
Fly Height	5 microns
Bearing Size	25mm x 50mm
Bearing Height	17 mm
Bearing Weight	47 grams
Housing Material/Finish	Aluminum/Anodized
Porous Media Material	Carbon
Flatness	0.0005 mm (0.00002 in)
Pressure Port Thread	M3 x 0.5



UNLESS OTHERWISE SPECIFIED: DIMENSIONS ARE IN MILLIMETERS SURFACE FINISH: TOLERANCES: LINEAR: ANGULAR:		FINISH: BLUE ANODIZE AS PER MIL-A-8625		DEBUR AND BREAK SHARP EDGES	
DRAWN	NAME	SIGNATURE	DATE		
CHK'D					
APPV'D					
MFG					
Q.A				MATERIAL: ALUMINUM 7075/CARBON	
				WEIGHT:	

DO NOT SCALE DRAWING		REVISION	
TITLE: 25MM X 50MM FLAT RECTANGULAR AIR BEARING			
DWG NO.		A4	
OAVF25L50			
SCALE:1:1		SHEET 1 OF 1	