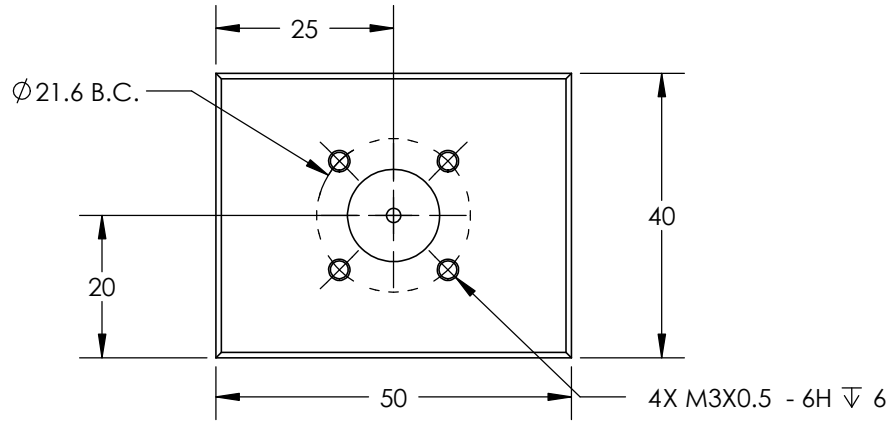
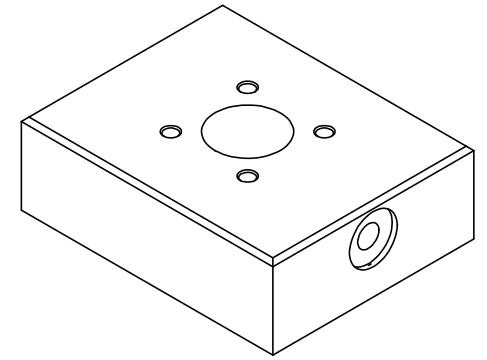
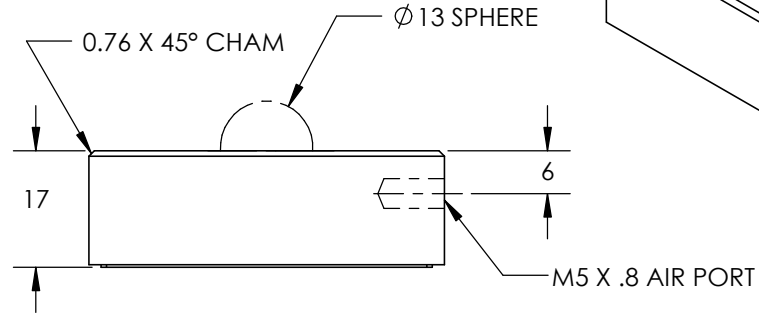


Title	Specification
Size	040mm x 050mm
Part Number	OAVF40L50
Input Pressure	0.27 to 0.68 MPa (40 to 100 PSI)
Ideal Load	401 N (90 lbs)
Stiffness	35 N/micron (0.20 lbs/ $\mu$ in)
Flow	1.3 NLPM (2.9 SCFH)
Fly Height	5 microns
Bearing Size	40mm x 50mm
Bearing Height	17 mm
Bearing Weight	55 grams
Housing Material/Finish	Aluminum/Anodized
Porous Media Material	Carbon
Flatness	0.0005 mm (0.00002 in)
Pressure Port Thread	M5 x 0.8



UNLESS OTHERWISE SPECIFIED:  
DIMENSIONS ARE IN MILLIMETERS  
SURFACE FINISH:  
TOLERANCES:  
LINEAR:  
ANGULAR:

FINISH:

ANODIZE  
AS PER MIL-A-8625

DEBUR AND  
BREAK SHARP  
EDGES

DO NOT SCALE DRAWING

REVISION



TITLE:

40MM X 50MM  
FLAT RECTANGULAR  
AIR BEARING

DWG NO.

OAVF40L50

A4

WEIGHT:

SCALE:1:1

SHEET 1 OF 1

1

2