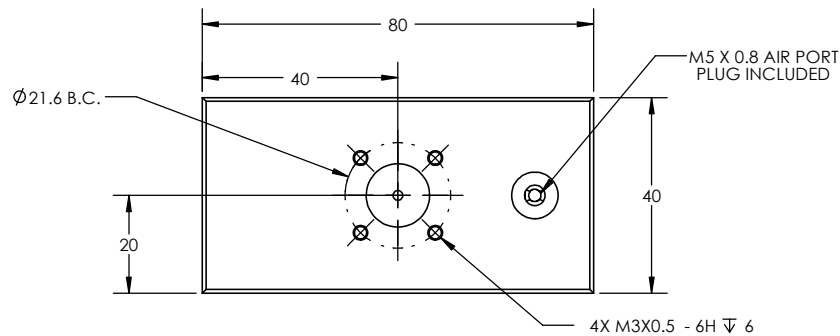
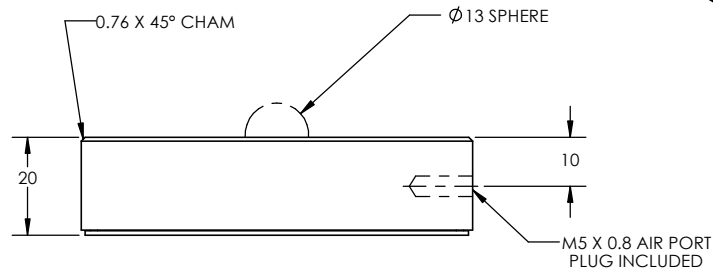
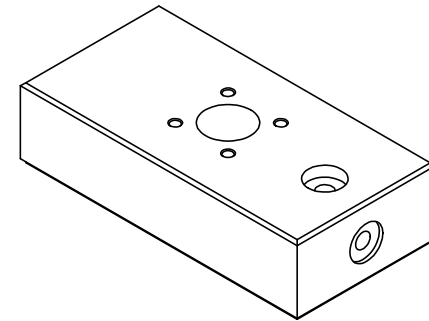


Title	Specification
Size	040mm x 080mm
Part Number	OAVF40L80
Input Pressure	0.27 to 0.68 MPa (40 to 100 PSI)
Ideal Load	637 N (143 lbs)
Stiffness	58 N/micron (0.33 lbs/μin)
Flow	1.8 NLPM (3.8 SCFH)
Fly Height	5 microns
Bearing Size	40mm x 80mm
Bearing Height	20 mm
Bearing Weight	143 grams
Housing Material/Finish	Aluminum/Anodized
Porous Media Material	Carbon
Flatness	0.0005 mm (0.00002 in)
Pressure Port Thread	M5 x 0.8



**PROPRIETARY AND CONFIDENTIAL**  
 THE INFORMATION CONTAINED IN THIS DRAWING IS THE SOLE PROPERTY OF OAVCO LLC. ANY REPRODUCTION IN PART OR AS A WHOLE WITHOUT THE WRITTEN PERMISSION OF OAVCO LLC IS PROHIBITED.

		UNLESS OTHERWISE SPECIFIED:		NAME	DATE
		DIMENSIONS ARE IN MILLIMETERS		DRAWN	
		TOLERANCES:		CHECKED	
		FRACTIONAL ±		ENG APPR.	
		ANGULAR: MACH ± BEND ±		MFG APPR.	
		TWO PLACE DECIMAL ±		Q.A.	
		THREE PLACE DECIMAL ±		COMMENTS:	
		INTERPRET GEOMETRIC TOLERANCING PER:			
		MATERIAL ALUMINUM 7075/ CARBON			
NEXT ASSY	USED ON	FINISH ANODIZE PER MIL-A-8625			
APPLICATION		DO NOT SCALE DRAWING			
				TITLE: 40MM X 80MM FLAT RECTANGULAR AIR BEARING	
SIZE	DWG. NO.			REV	
<b>B</b>	OAVF40L80				
SCALE: 1:1		WEIGHT:		SHEET 1 OF 1	