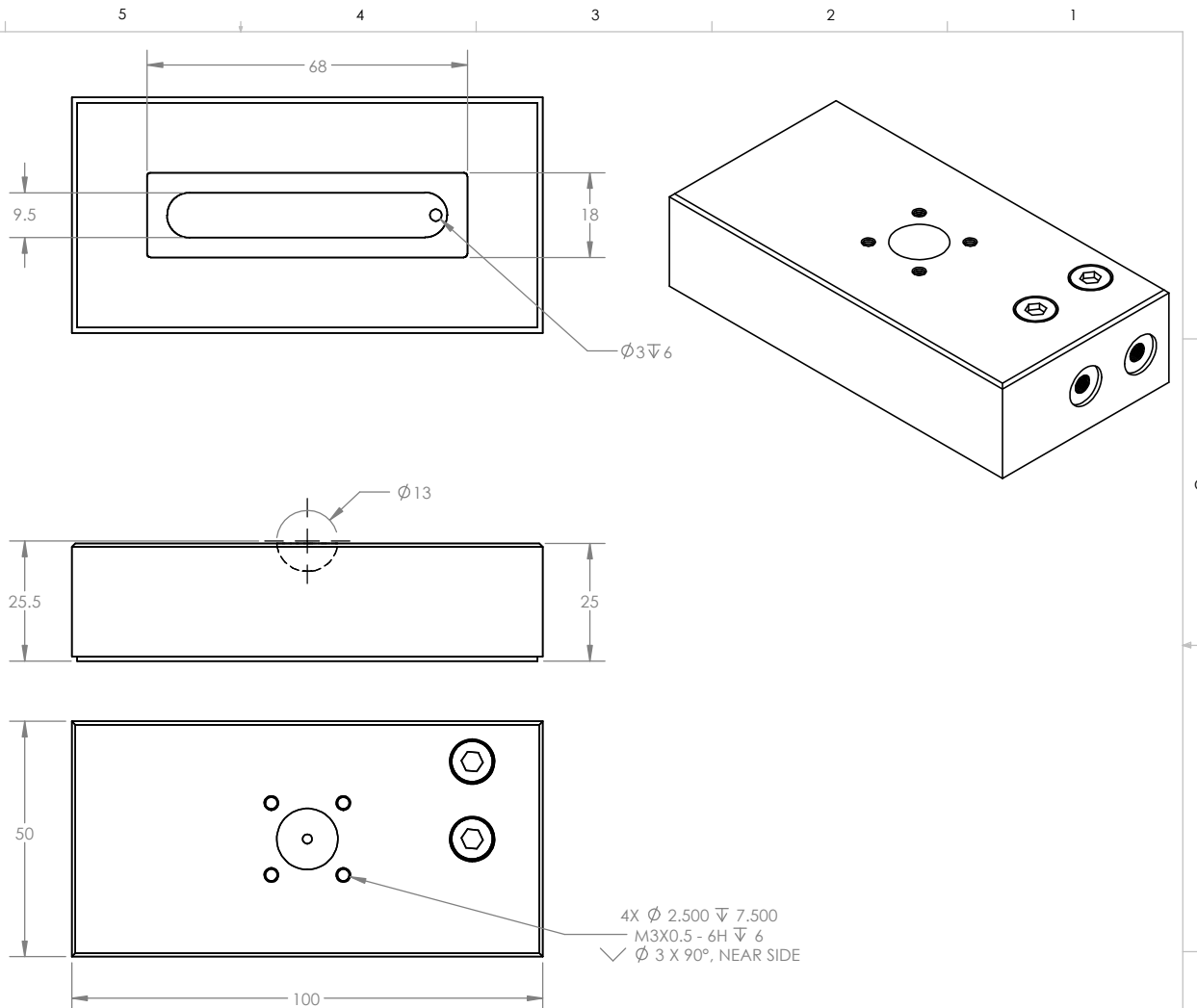


Title	Specification
Size	50mm x 100mm
Part Number	OAVF50L100V
Input Pressure	0.27 to 0.68 MPa (40 to 100 PSI)
Input Vacuum	15 in Hg(50.8 kPa)
Ideal Load	735 N (165 lbs)
Stiffness	73 N/micron (0.42 lbs/μ in)
Hold Down Force @ 50.8kPa	104 N (23.4 lbs)
Flow	3.62 SCFH
Fly Height	5 micron
Bearing Height	25 mm
Bearing Weight	285 grams
Housing Material/Finish	Aluminum/Anodized
Porous Media Material	Carbon
Flatness	.0005mm(.00002 in)
Port Thread	M5 x 0.8




2X ϕ 4.200 ∇ 8
M5X0.8 - 6H ∇ 7
VACUUM PORT

2X ϕ 4.200 ∇ 8
M5X0.8 - 6H ∇ 7
AIR PORT

4X ϕ 2.500 ∇ 7.500
M3X0.5 - 6H ∇ 6
 ∇ ϕ 3 X 90°, NEAR SIDE

PROPRIETARY AND CONFIDENTIAL
THE INFORMATION CONTAINED IN THIS DRAWING IS THE SOLE PROPERTY OF OAVCO LLC. ANY REPRODUCTION IN PART OR AS A WHOLE WITHOUT THE WRITTEN PERMISSION OF OAVCO LLC IS PROHIBITED.

UNLESS OTHERWISE SPECIFIED:		NAME	DATE	 TITLE: 50MM X 100MM FLAT RECT VAC PRELOAD AIR BEARING						
DIMENSIONS ARE IN MILLIMETERS										
TOLERANCES:		DRAWN		<table border="1"> <tr> <td>SIZE</td> <td>DWG. NO.</td> <td>REV</td> </tr> <tr> <td>B</td> <td>OAVF50L100V</td> <td></td> </tr> </table>	SIZE	DWG. NO.	REV	B	OAVF50L100V	
SIZE	DWG. NO.	REV								
B	OAVF50L100V									
FRACTIONAL \pm		CHECKED								
ANGULAR: MACH \pm BEND \pm		ENG APPR.								
TWO PLACE DECIMAL \pm		MFG APPR.								
THREE PLACE DECIMAL \pm		Q.A.								
INTERPRET GEOMETRIC TOLERANCING PER:		COMMENTS:								
MATERIAL ALUMINUM 7075/ CARBON										
FINISH ANODIZE PER MIL-A-8625										
APPLICATION		DO NOT SCALE DRAWING								
NEXT ASSY	USED ON									
SCALE: 1:1		WEIGHT:								
		SHEET 1 OF 1								