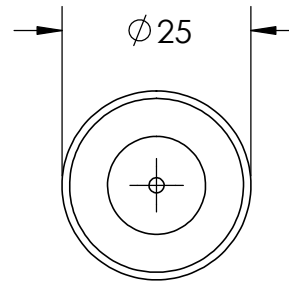
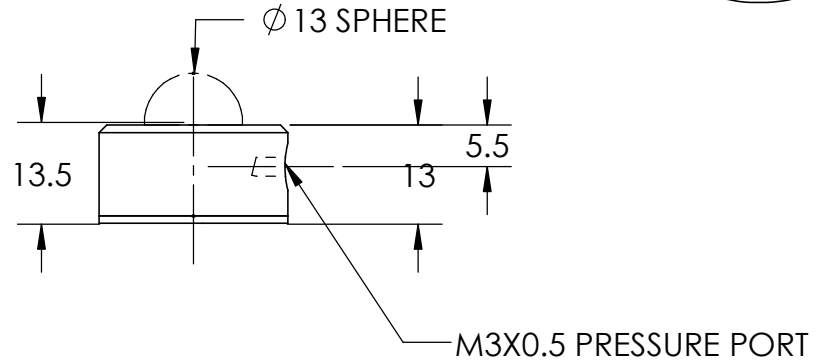
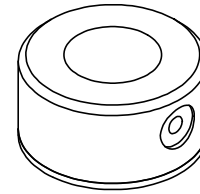



Title	Specification
Size	25mm
Part Number	OAVR025R
Input Pressure	0.28 to 0.68 MPa (40 to 100 PSI)
Ideal Load	98 N (22 lbs)
Stiffness	18 N/micron (0.10 lbs/μ in)
Flow Rate	0.6 NLPM (1.3 SCFH)
Fly Height	5 microns
Bearing Size	25 mm
Bearing Height	13 mm
Bearing Weight	14 grams
Housing Material/Finish	Aluminum/Anodized
Porous Media Material	Carbon
Flatness	0.0005 mm (0.00002 in)
Pressure Port Thread	M3 x 0.5



PROPRIETARY AND CONFIDENTIAL
 THE INFORMATION CONTAINED IN THIS DRAWING IS THE SOLE PROPERTY OF OAVCO LLC. ANY REPRODUCTION IN PART OR AS A WHOLE WITHOUT THE WRITTEN PERMISSION OF OAVCO LLC IS PROHIBITED.

		UNLESS OTHERWISE SPECIFIED:		NAME	DATE	
		DIMENSIONS ARE IN MILLIMETERS TOLERANCES: FRACTIONAL ± ANGULAR: MACH ± BEND ± TWO PLACE DECIMAL ± THREE PLACE DECIMAL ±	DRAWN			
		INTERPRET GEOMETRIC TOLERANCING PER:	ENG APPR.			SIZE A DWG. NO. OAV025R REV
		MATERIAL ANODIZE AS PER MIL-A-8625	MFG APPR.			
NEXT ASSY	USED ON	FINISH ALUMINUM 7075/ CARBON	COMMENTS:			
APPLICATION		DO NOT SCALE DRAWING				