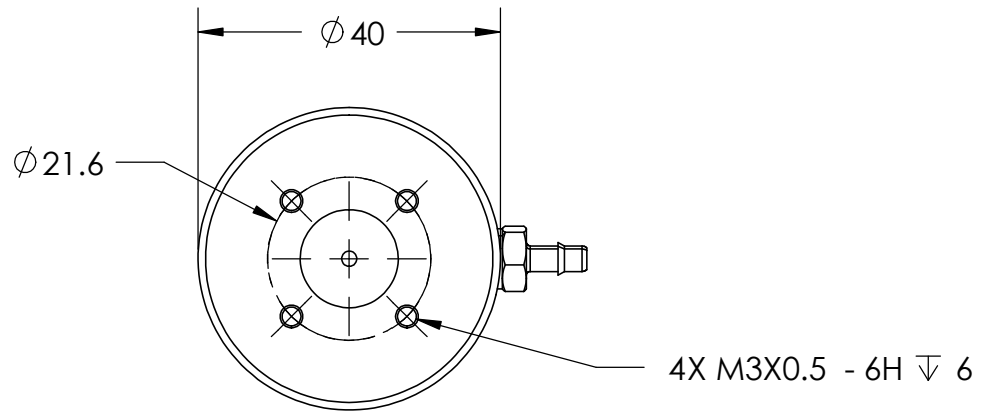
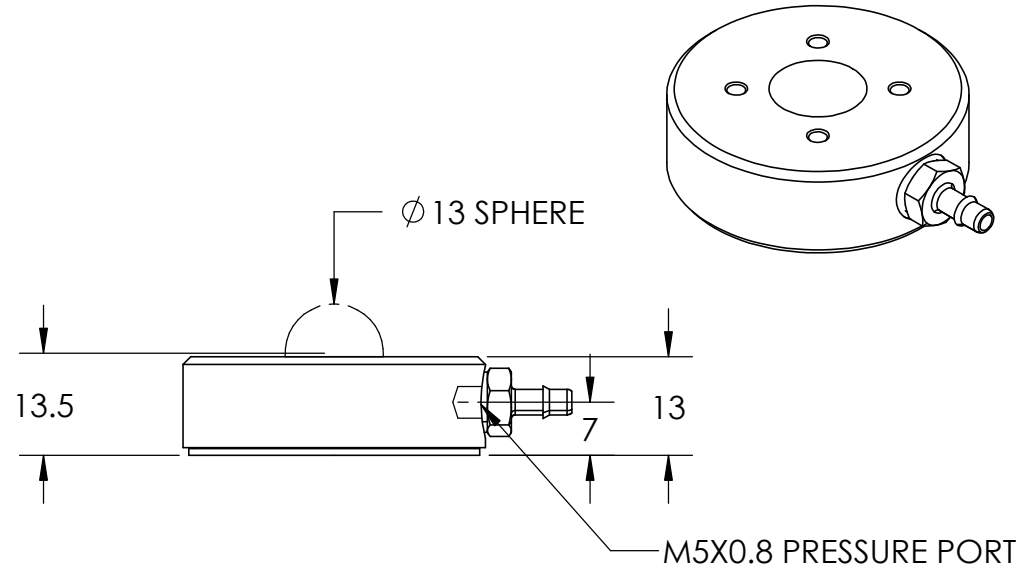


Title	Specification
Size	40mm
Part Number	OAVR040R
Input Pressure	0.28 to 0.68 MPa (40 to 100 PSI)
Ideal Load	254 N (57 lbs)
Stiffness	23 N/micron (0.13 lbs/ μ in)
Flow Rate	0.93 NLPM (2.0 SCFH)
Fly Height	5 microns
Bearing Size	40 mm
Bearing Height	13 mm
Bearing Weight	34 grams
Housing Material/Finish	Aluminum/Anodized
Porous Media Material	Carbon
Flatness	0.0005 mm (0.00002 in)
Pressure Port Thread	M5 x 0.8



PROPRIETARY AND CONFIDENTIAL
 THE INFORMATION CONTAINED IN THIS DRAWING IS THE SOLE PROPERTY OF OAVCO LLC. ANY REPRODUCTION IN PART OR AS A WHOLE WITHOUT THE WRITTEN PERMISSION OF OAVCO LLC IS PROHIBITED.

		UNLESS OTHERWISE SPECIFIED:		NAME	DATE
		DIMENSIONS ARE IN MILLIMETERS	DRAWN		
		TOLERANCES:	CHECKED		
		FRACTIONAL \pm	ENG APPR.		
		ANGULAR: MACH \pm BEND \pm	MFG APPR.		
		TWO PLACE DECIMAL \pm	Q.A.		
		THREE PLACE DECIMAL \pm	COMMENTS:		
		INTERPRET GEOMETRIC TOLERANCING PER:			
		MATERIAL ANODIZE			
		AS PER MIL-A-8625			
NEXT ASSY	USED ON	FINISH ALUMINUM 7075/ CARBON			
APPLICATION		DO NOT SCALE DRAWING			

TITLE: ROUND AIR BEARING, 40MM		
SIZE A	DWG. NO. OAV040R	REV
SCALE: 1:1	WEIGHT:	SHEET 1 OF 1

5

4

3

2

1