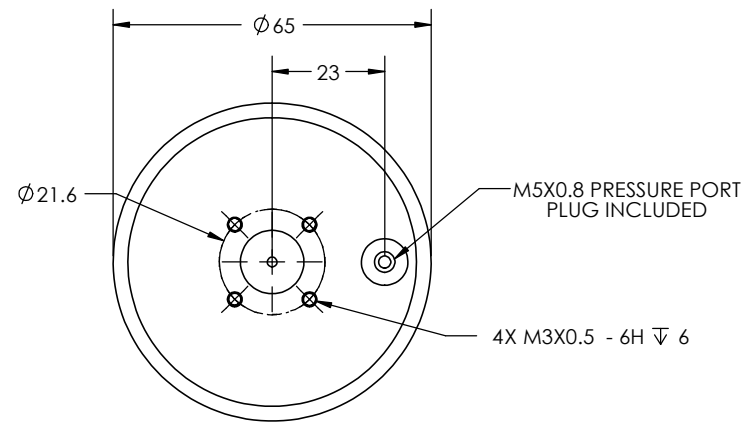
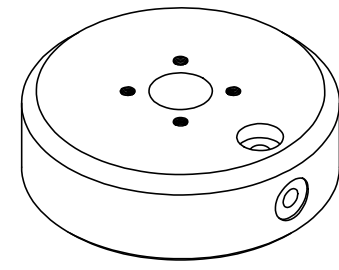
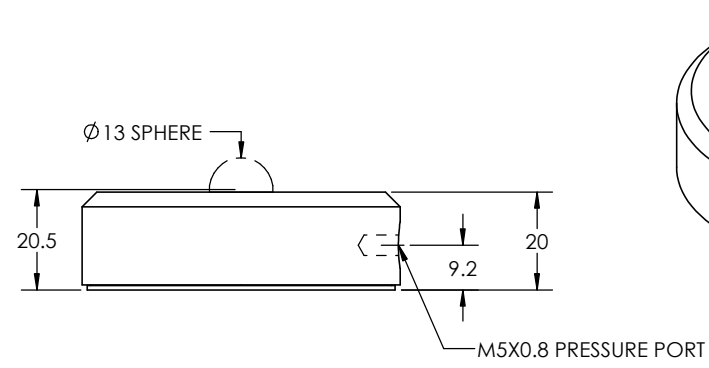


Title	Specification
Size	65mm
Part Number	OAVR065R
Input Pressure	0.28 to 0.68 MPa (40 to 100 PSI)
Ideal Load	664 N (149 lbs)
Stiffness	64 N/micron (0.37 lbs/μ in)
Flow Rate	1.5 NLPM (3.2 SCFH)
Fly Height	5 microns
Bearing Size	65 mm
Bearing Height	20 mm
Bearing Weight	149 grams
Housing Material/Finish	Aluminum/Anodized
Porous Media Material	Carbon
Flatness	0.0005 mm (0.00002 in)
Pressure Port Thread	M5 x 0.8



PROPRIETARY AND CONFIDENTIAL
 THE INFORMATION CONTAINED IN THIS DRAWING IS THE SOLE PROPERTY OF OAVCO LLC. ANY REPRODUCTION IN PART OR AS A WHOLE WITHOUT THE WRITTEN PERMISSION OF OAVCO LLC IS PROHIBITED.

		UNLESS OTHERWISE SPECIFIED:		NAME		DATE	
		DIMENSIONS ARE IN MILLIMETERS		DRAWN			
		TOLERANCES:		CHECKED			
		FRACTIONAL ±		ENG APPR.			
		ANGULAR: MACH ± BEND ±		MFG APPR.			
		TWO PLACE DECIMAL ±		Q.A.			
		THREE PLACE DECIMAL ±		COMMENTS:			
		INTERPRET GEOMETRIC TOLERANCING PER:					
		MATERIAL ALUMINUM 7075/ CARBON					
NEXT ASSY		USED ON					
APPLICATION		DO NOT SCALE DRAWING					
				TITLE:			
				ROUND AIR BEARING,			
				65MM			
		SIZE		DWG. NO.		REV	
		B		OAVR065R			
		SCALE: 1:1		WEIGHT:		SHEET 1 OF 1	