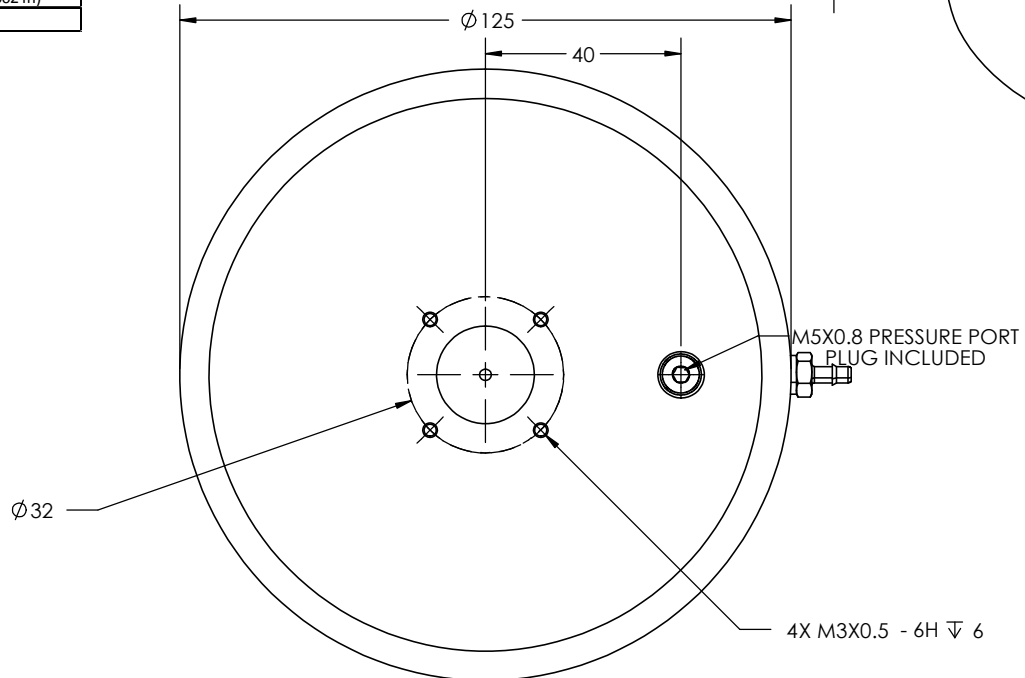
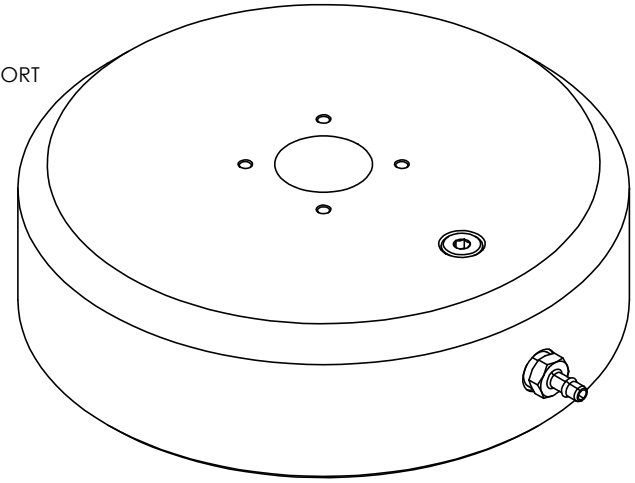
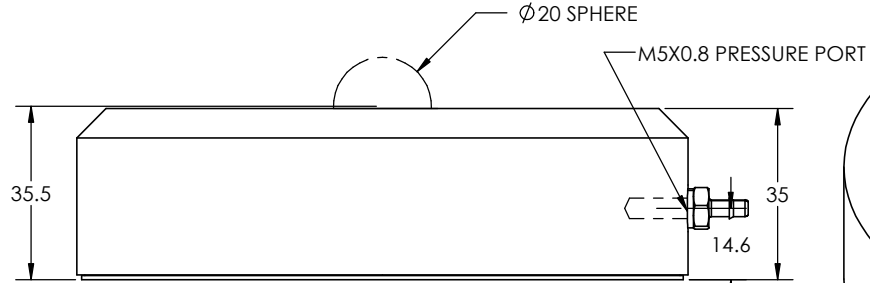



Title	Specification
Size	125mm
Part Number	OAVR125R
Input Pressure	0.28 to 0.68 MPa (40 to 100 PSI)
Ideal Load	2897 N (651 lbs)
Stiffness	237 N/micron (1.4 lbs/μ in)
Flow Rate	3.0 NLPM (6.4 SCFH)
Fly Height	5 microns
Bearing Size	125 mm
Bearing Height	35 mm
Bearing Weight	1028 grams
Housing Material/Finish	Aluminum/Anodized
Porous Media Material	Carbon
Flatness	0.0005 mm (0.00002 in)
Pressure Port Thread	M5 x 0.8



PROPRIETARY AND CONFIDENTIAL
 THE INFORMATION CONTAINED IN THIS DRAWING IS THE SOLE PROPERTY OF OAVCO LLC. ANY REPRODUCTION IN PART OR AS A WHOLE WITHOUT THE WRITTEN PERMISSION OF OAVCO LLC IS PROHIBITED.

		UNLESS OTHERWISE SPECIFIED:		NAME		DATE	
		DIMENSIONS ARE IN MILLIMETERS		DRAWN			
		TOLERANCES:		CHECKED			
		FRACTIONAL: ±		ENG APPR.			
		ANGULAR: MACH ± BEND ±		MFG APPR.			
		TWO PLACE DECIMAL ±		Q.A.			
		THREE PLACE DECIMAL ±		COMMENTS:			
		INTERPRET GEOMETRIC TOLERANCING PER:					
		MATERIAL ALUMINUM 7075/ CARBON					
NEXT ASSY		USED ON					
		FINISH ANODIZE PER MIL-A-8625					
APPLICATION		DO NOT SCALE DRAWING					



TITLE:
 ROUND AIR BEARING,
 125MM

SIZE B	DWG. NO. OAVR125R	REV
------------------	----------------------	-----

SCALE: 1:1 | WEIGHT: | SHEET 1 OF 1