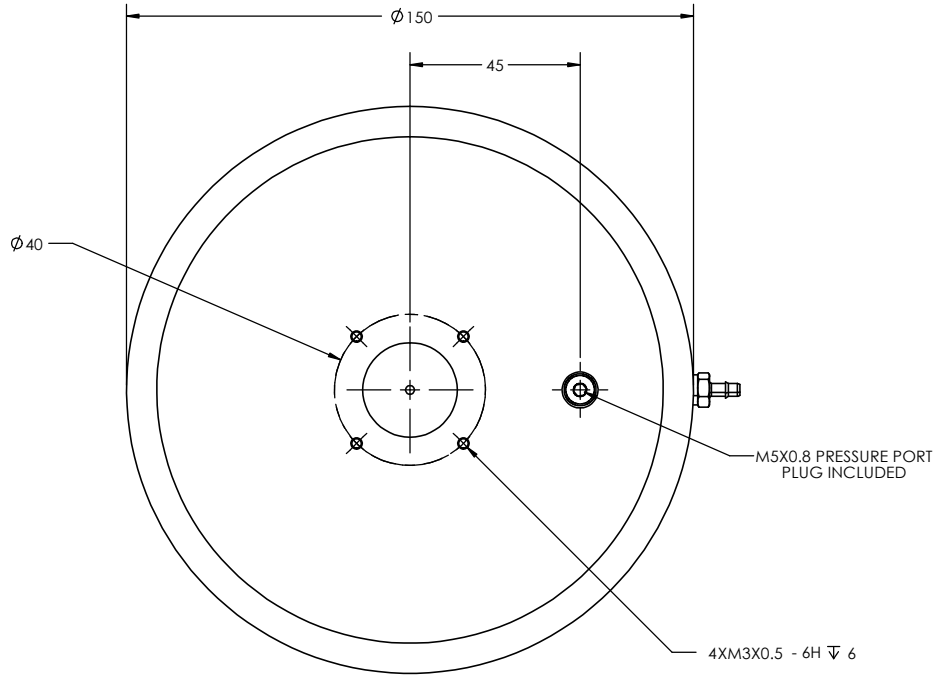
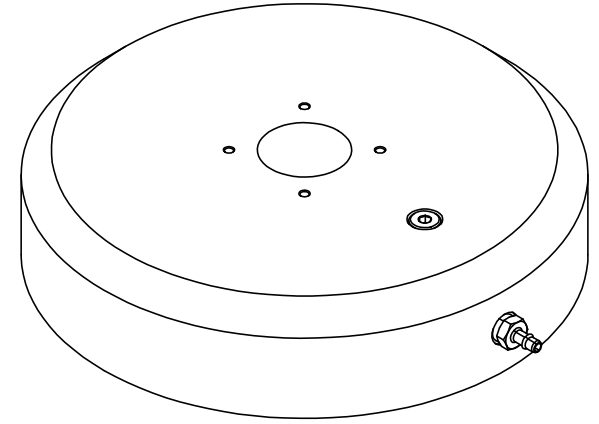
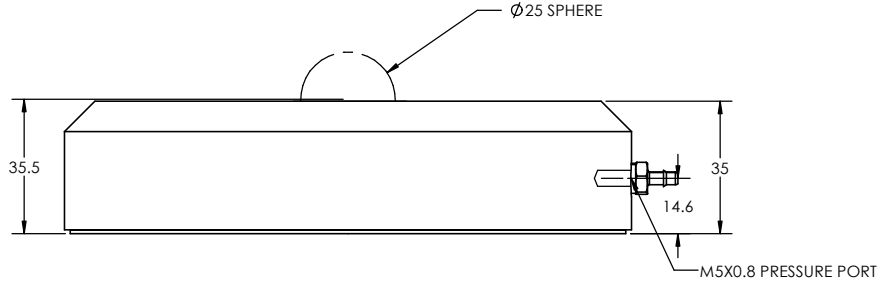


Title	Specification
Size	150mm
Part Number	OAVR150R
Input Pressure	0.28 to 0.68 MPa (40 to 100 PSI)
Ideal Load	4535 N (1019 lbs)
Stiffness	350 N/micron (2.0 lbs/μ in)
Flow Rate	3.6 NLPM (7.7 SCFH)
Fly Height	5 microns
Bearing Size	150 mm
Bearing Height	35 mm
Bearing Weight	2085 grams
Housing Material/Finish	Aluminum/Anodized
Porous Media Material	Carbon
Flatness	0.0005 mm (0.00002 in)
Pressure Port Thread	M5 x 0.8



PROPRIETARY AND CONFIDENTIAL
 THE INFORMATION CONTAINED IN THIS DRAWING IS THE SOLE PROPERTY OF OAVCO LLC. ANY REPRODUCTION IN PART OR AS A WHOLE WITHOUT THE WRITTEN PERMISSION OF OAVCO LLC IS PROHIBITED.

		UNLESS OTHERWISE SPECIFIED:		NAME		DATE	
		DIMENSIONS ARE IN INCHES		DRAWN			
		FRACTIONAL: \pm		CHECKED			
		ANGULAR: MACH \pm BEND \pm		ENG APPR.			
		TWO PLACE DECIMAL: \pm		MFG APPR.			
		THREE PLACE DECIMAL: \pm		D.A.			
		INTERPRET GEOMETRIC TOLERANCING PER:		COMMENTS:			
		MATERIAL: ALUMINUM 7075/ CARBON					
		FINISH: ANODIZE PER MIL-A-8625					
NEXT ASSY		USED ON					
APPLICATION		DO NOT SCALE DRAWING					
				TITLE: ROUND AIR BEARING, 150MM			
SIZE		DWG. NO.		REV			
C		OAVR150R					
SCALE: 1:1		WEIGHT:		SHEET 1 OF 1			