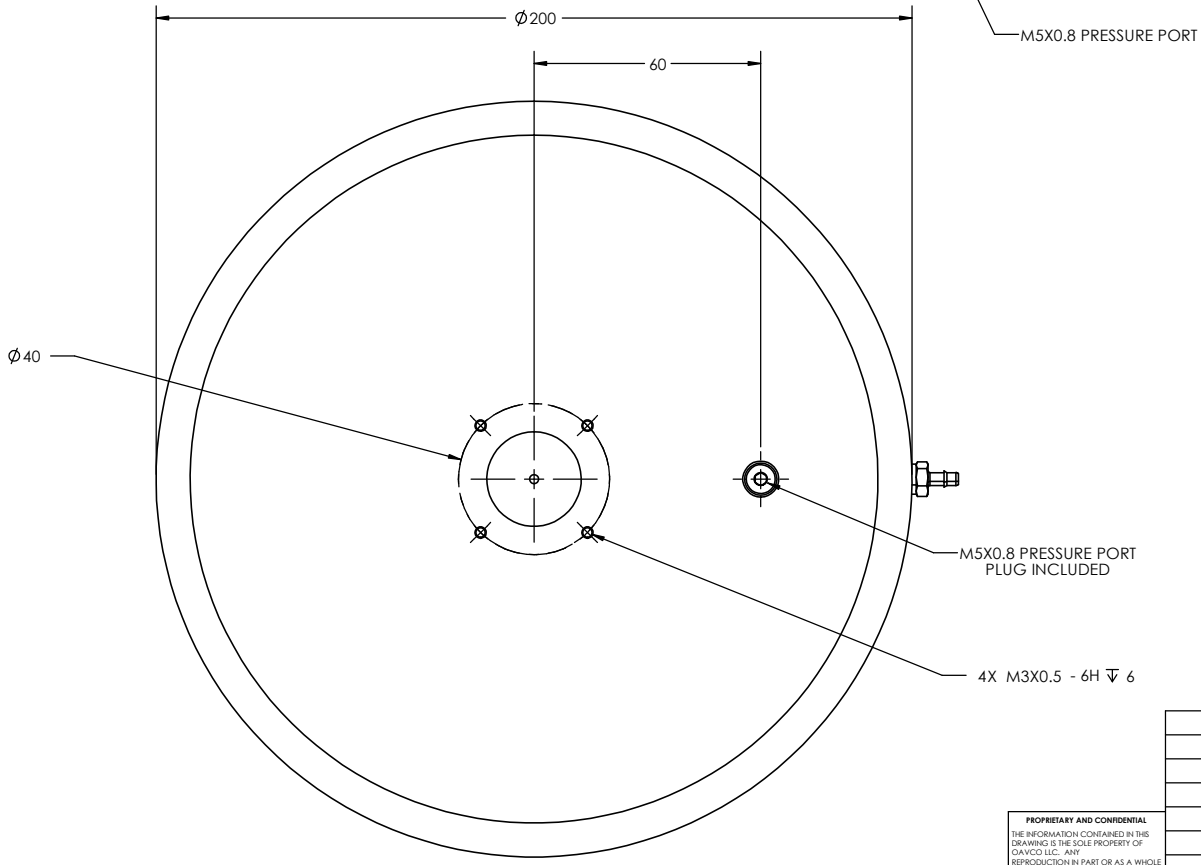
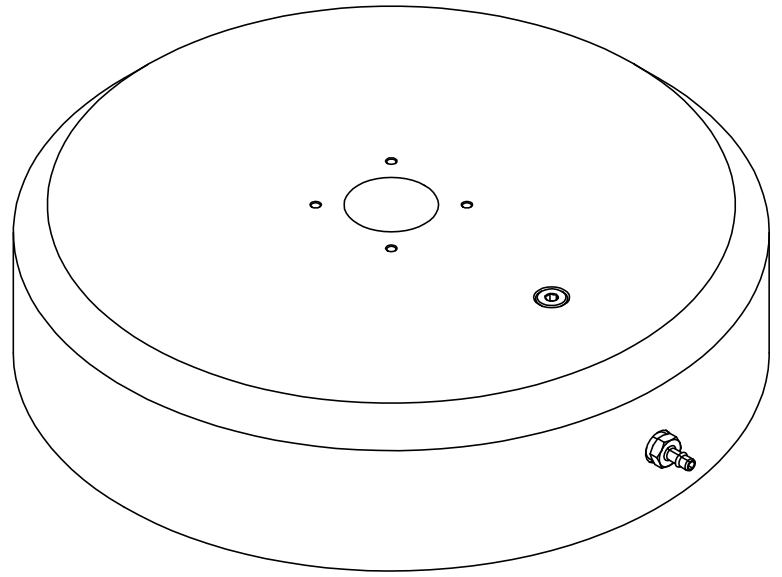
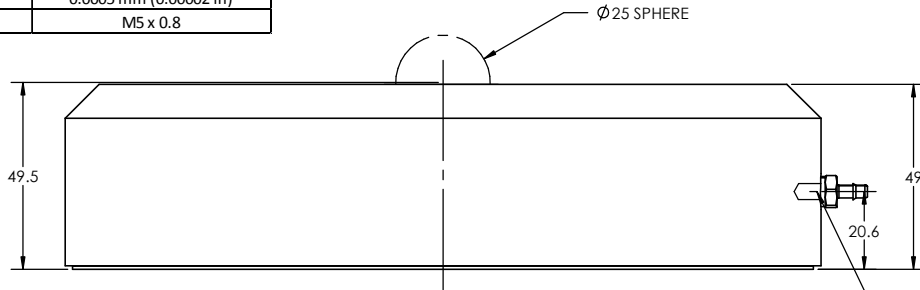


Title	Specification
Size	200mm
Part Number	OAVR200R
Input Pressure	0.28 to 0.68 MPa (40 to 100 PSI)
Ideal Load	8064 N (1812 lbs)
Stiffness	630 N/micron (3.6 lbs/ μ in)
Flow Rate	10.1 NLPm (8.3 SCFH)
Fly Height	5 microns
Bearing Size	200 mm
Bearing Height	49 mm
Bearing Weight	4765 grams
Housing Material/Finish	Aluminum/Anodized
Porous Media Material	Carbon
Flatness	0.0005 mm (0.00002 in)
Pressure Port Thread	M5 x 0.8



PROPRIETARY AND CONFIDENTIAL
 THE INFORMATION CONTAINED IN THIS DRAWING IS THE SOLE PROPERTY OF OAVCO LLC. ANY REPRODUCTION IN PART OR AS A WHOLE WITHOUT THE WRITTEN PERMISSION OF OAVCO LLC IS PROHIBITED.

UNLESS OTHERWISE SPECIFIED:		NAME	DATE
DIMENSIONS ARE IN INCHES	DRAWN		
FRACTIONAL: $\frac{1}{16}$	CHECKED		
ANGULAR: MACH \pm BEND \pm	ENG APPR.		
TWO PLACE DECIMAL: \pm	MFG APPR.		
THREE PLACE DECIMAL: \pm	D.A.		
INTERPRET GEOMETRIC TOLERANCING PER:	COMMENTS:		
MATERIAL: ALUMINUM 7075/ CARBON			
FINISH: ANODIZE PER MIL-A-8625			
APPLICATION	DO NOT SCALE DRAWING		

TITLE: ROUND AIR BEARING, 200MM		
SIZE	DWG. NO.	REV
C	OAVR200R	
SCALE: 1:1	WEIGHT:	SHEET 1 OF 1