

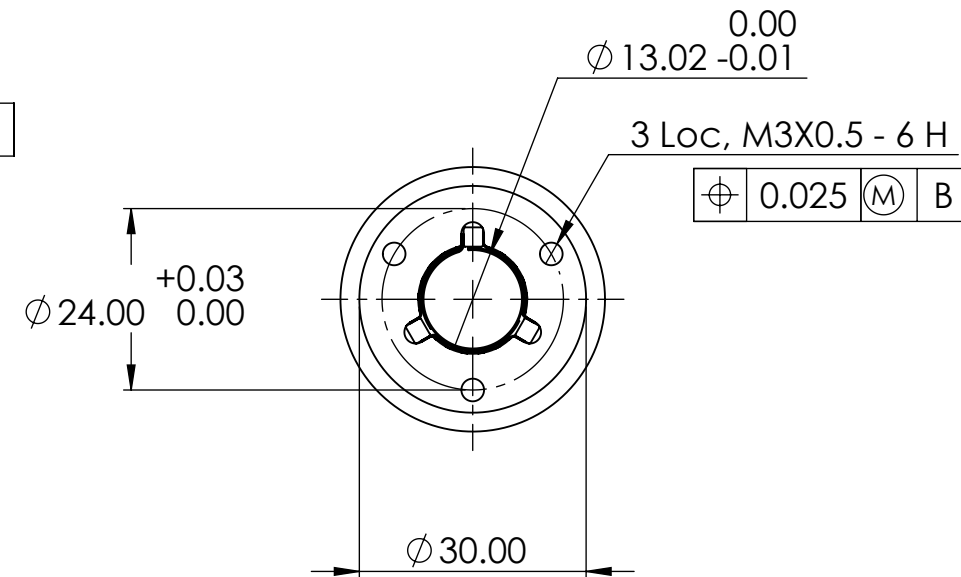
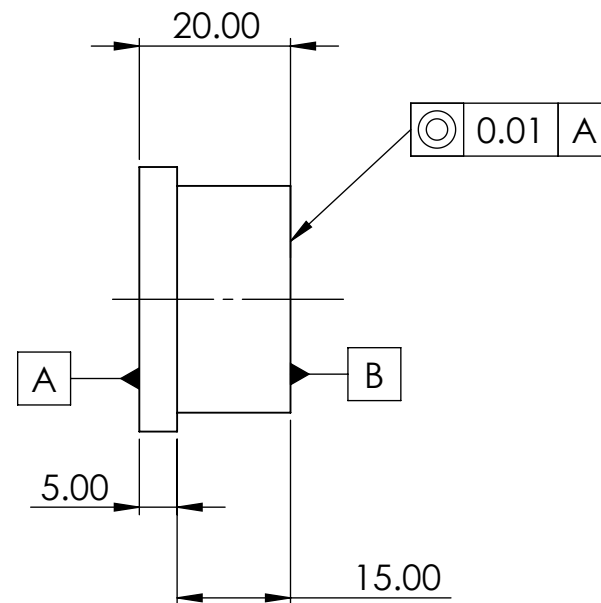
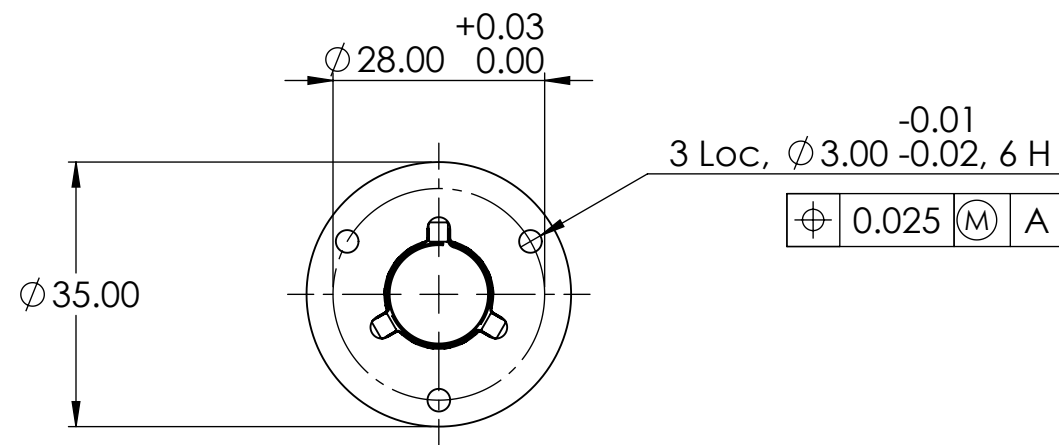
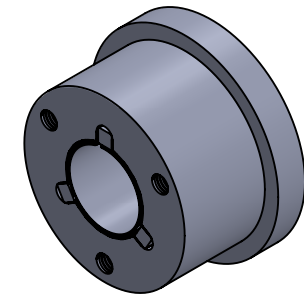
4

3

2

1

Title	Specification
Size	13 mm
Part Number	FB-J13-L20
Lift off Speed	5000 rpm
Load Capacity	160 Newton
Shaft Size	13 mm
Bearing Length	20 mm
Rotation Direction	CW
Allowable temperature	-40 °C to 650 °C
Generation	4th OAV Advanced



NOTE:

- Rotor Surface finish 16RMS or better
- Rotor Coating recommended PS304 / PS400 / MoS2
- Radial clearance between rotor and bearing 10 μm (nominal), 5 μm (minimum)

PROPRIETARY AND CONFIDENTIAL
 THE INFORMATION CONTAINED IN THIS DRAWING IS THE SOLE PROPERTY OF OAV Air bearing. ANY REPRODUCTION IN PART OR AS A WHOLE WITHOUT THE WRITTEN PERMISSION OF OAV Air bearing IS PROHIBITED.

UNLESS OTHERWISE SPECIFIED:		NAME	DATE
DIMENSIONS ARE IN INCHES		DRAWN	
TOLERANCES:		CHECKED	
FRACTIONAL \pm		ENG APPR.	
ANGULAR: MACH \pm BEND \pm		MFG APPR.	
TWO PLACE DECIMAL \pm		Q.A.	
THREE PLACE DECIMAL \pm		COMMENTS:	
INTERPRET GEOMETRIC TOLERANCING PER:			
MATERIAL			
NEXT ASSY	USED ON		
FINISH			
APPLICATION			
DO NOT SCALE DRAWING			



TITLE:		
13 Journal Foil Bearing		
SIZE	DWG. NO.	REV
B	FB-J13-L20	
SCALE: 1:1	WEIGHT:	SHEET 1 OF 1

4

3

2

1