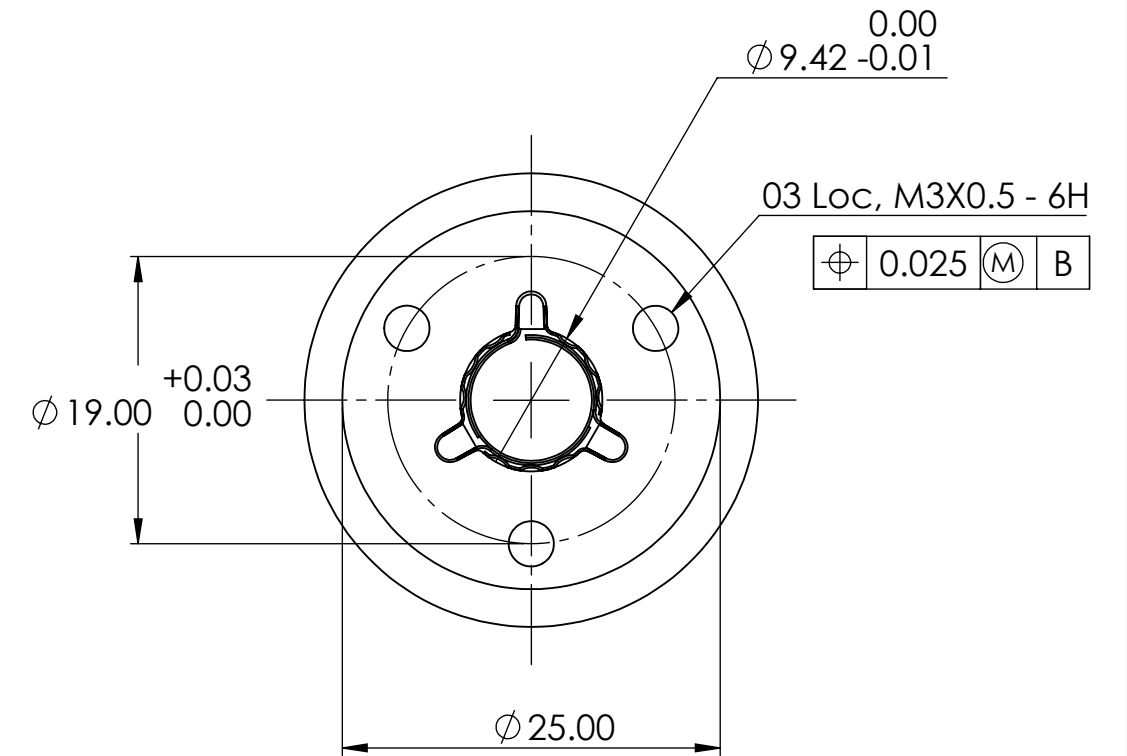
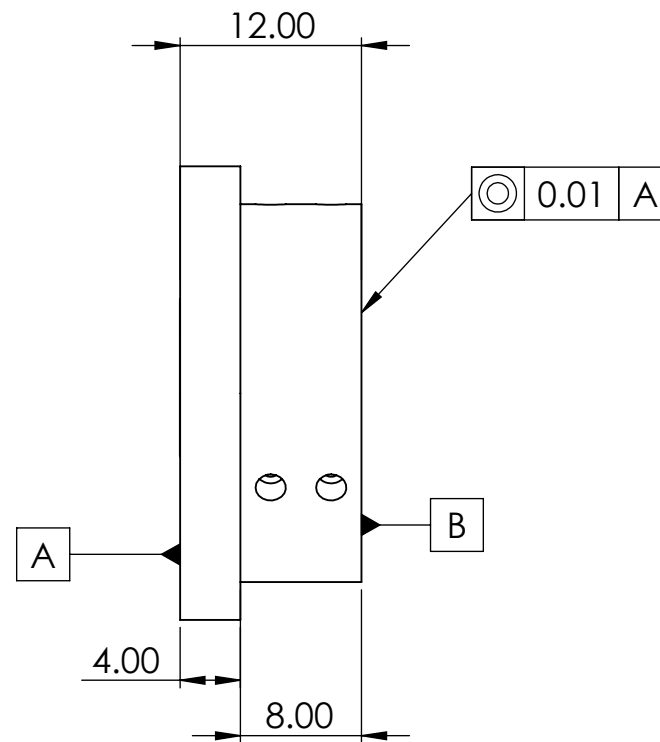
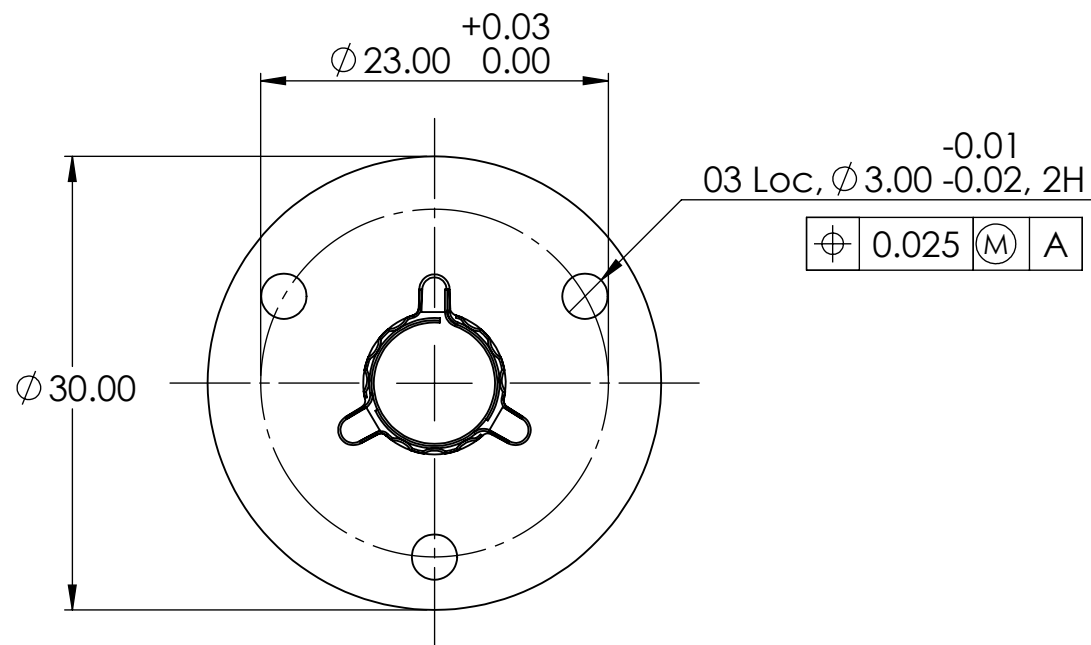


Title	Specification
Size	8 mm
Part number	FB-J8-L12
Lift off speed	5000 rpm
Load capacity	180 N
Shaft size	8 mm
Bearing length	12 mm
Rotation direction	CW
Allowable temperature	-40 °C to 650 °C



NOTE:

1. Rotor Surface finish 16RMS or better
2. Rotor Coating recommended PS304 / PS400 / MoS2
3. Radial clearance between rotor and bearing 10 μm (nominal), 5 μm (minimum)

PROPRIETARY AND CONFIDENTIAL
 THE INFORMATION CONTAINED IN THIS DRAWING IS THE SOLE PROPERTY OF OAV Air bearing. ANY REPRODUCTION IN PART OR AS A WHOLE WITHOUT THE WRITTEN PERMISSION OF OAV Air bearing IS PROHIBITED.

UNLESS OTHERWISE SPECIFIED:		NAME	DATE
DIMENSIONS ARE IN INCHES		DRAWN	Jitesh 29-12-2023
TOLERANCES:		CHECKED	
FRACTIONAL ±		ENG APPR.	
ANGULAR: MACH ± BEND ±		MFG APPR.	
TWO PLACE DECIMAL ±		Q.A.	
THREE PLACE DECIMAL ±		COMMENTS:	
INTERPRET GEOMETRIC TOLERANCING PER:		Third Angle Projection	
MATERIAL			
FINISH			
NEXT ASSY	USED ON		
APPLICATION		DO NOT SCALE DRAWING	



TITLE:
8 mm Journal Foil Bearing

SIZE	DWG. NO.	REV
B	FB-J8-L12	
SCALE: 2:1	WEIGHT:	SHEET 1 OF 1