

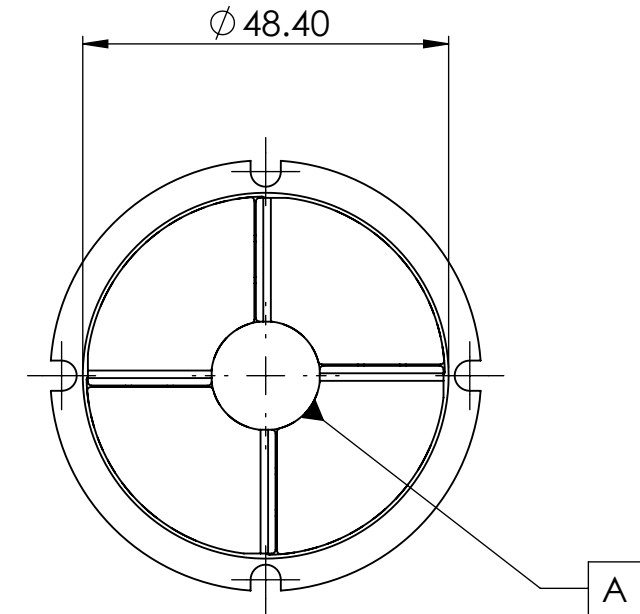
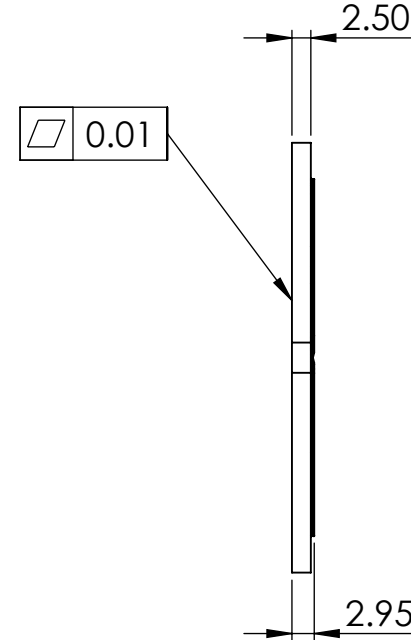
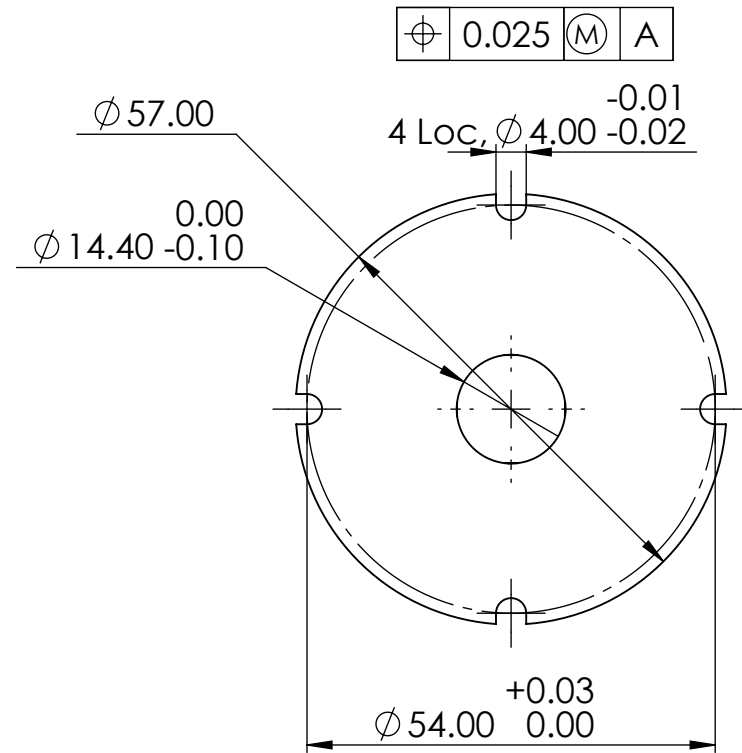
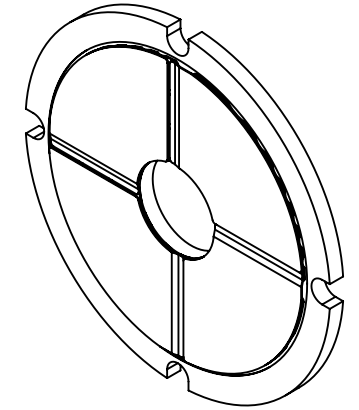
4

3

2

1

Title	Specification
Size	13 mm
Part Number	FB-T13-X57
Lift off Speed	5000 rpm
Load Capacity	195 Newton
Shaft Size	13 mm
Bearing Width	2.95 mm
Bearing OD	57 mm
Rotation Direction	CW
Allowable temperature	-40 °C to 650 °C
Generation	4th OAV Advanced



NOTE:

1. Thrust Runner (TR) Surface finish 16RMS or better
2. Thrust Runner (TR) Coating recommended PS304 / PS400 / MoS2
3. Gap between Thrust Runner (TR) to Thrust Bearing (AFTB) 10 μm (nominal), 5 μm (minimum)

PROPRIETARY AND CONFIDENTIAL
 THE INFORMATION CONTAINED IN THIS DRAWING IS THE SOLE PROPERTY OF OAV Air bearing. ANY REPRODUCTION IN PART OR AS A WHOLE WITHOUT THE WRITTEN PERMISSION OF OAV Air bearing IS PROHIBITED.

		UNLESS OTHERWISE SPECIFIED:	NAME	DATE
		DIMENSIONS ARE IN MILLIMETERS	DRAWN	
		TOLERANCES:	CHECKED	
		FRACTIONAL ±	ENG APPR.	
		ANGULAR: MACH ± BEND ±	MFG APPR.	
		TWO PLACE DECIMAL ±	Q.A.	
		THREE PLACE DECIMAL ±	COMMENTS:	
		INTERPRET GEOMETRIC TOLERANCING PER:		
		MATERIAL		
NEXT ASSY	USED ON	FINISH		
APPLICATION		DO NOT SCALE DRAWING		

TITLE: 13 Thrust Foil Bearing		
SIZE B	DWG. NO. FB-T13-X57	REV
SCALE: 1:1	WEIGHT:	SHEET 1 OF 1

4

3

2

1