

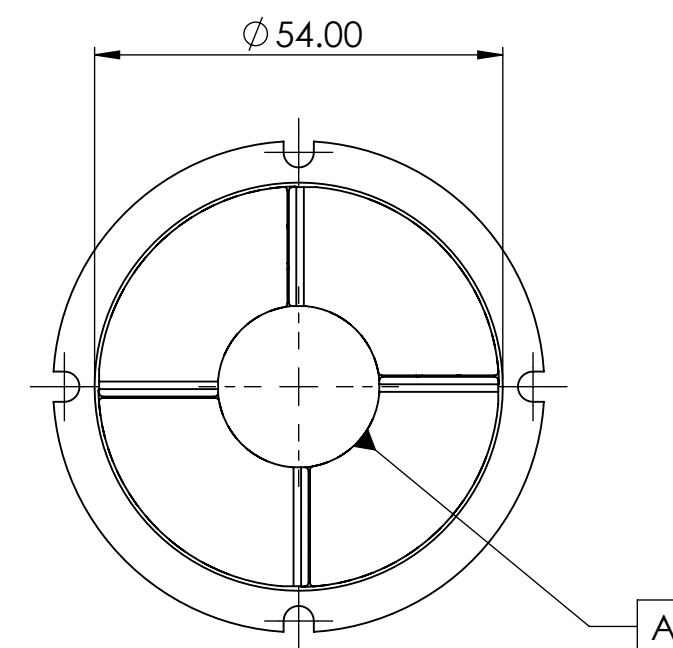
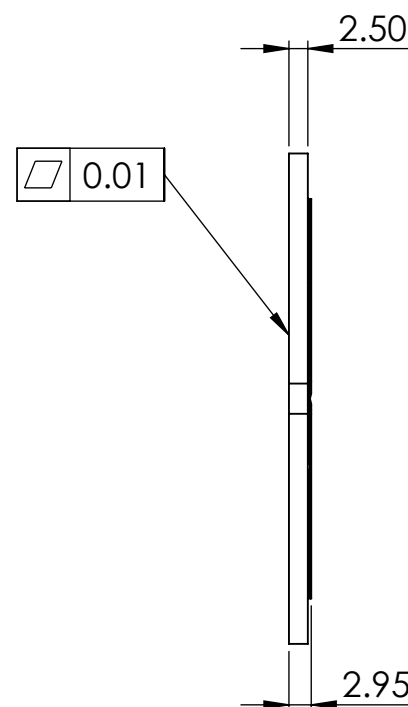
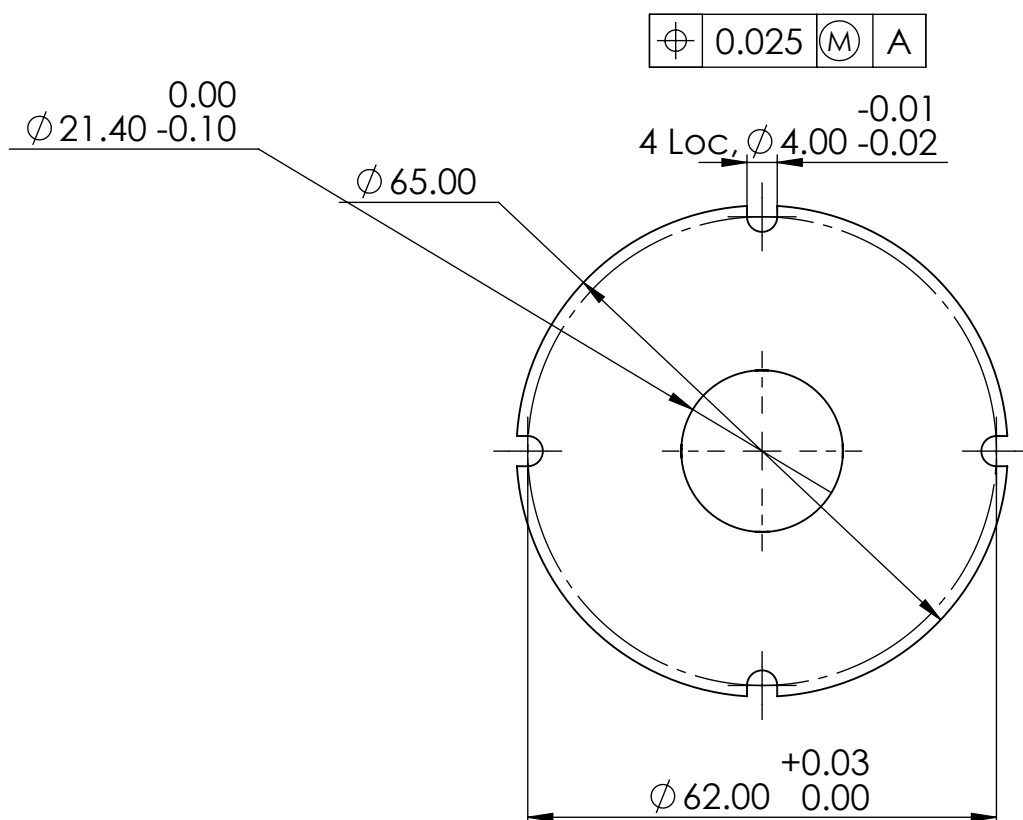
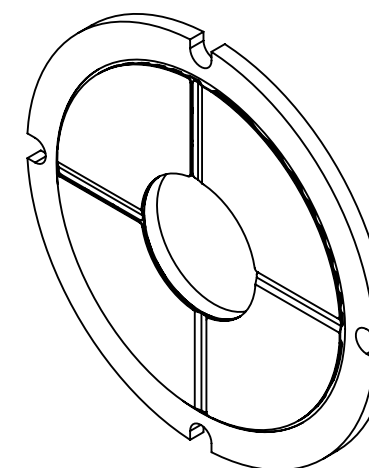
4

3

2

1

Title	Specification
Size	20 mm
Part Number	FB-T20-X65
Lift off Speed	5000 rpm
Load Capacity	380 Newton
Shaft Size	20 mm
Bearing Width	2.95 mm
Bearing OD	65 mm
Rotation Direction	CW
Allowable temperature	-40 °C to 650 °C
Generation	4th OAV Advanced



NOTE:

1. Thrust Runner (TR) Surface finish 16RMS or better
2. Thrust Runner (TR) Coating recommended PS304 / PS400 / MoS2
3. Gap between Thrust Runner (TR) to Thrust Bearing (AFTB) 10 μm (nominal), 5 μm (minimum)

**PROPRIETARY AND CONFIDENTIAL**  
 THE INFORMATION CONTAINED IN THIS DRAWING IS THE SOLE PROPERTY OF OAV Air bearing. ANY REPRODUCTION IN PART OR AS A WHOLE WITHOUT THE WRITTEN PERMISSION OF OAV Air bearing IS PROHIBITED.

		UNLESS OTHERWISE SPECIFIED:		NAME	DATE
		DIMENSIONS ARE IN MILLIMETERS		DRAWN	
		TOLERANCES:		CHECKED	
		FRACTIONAL ±		ENG APPR.	
		ANGULAR: MACH ± BEND ±		MFG APPR.	
		TWO PLACE DECIMAL ±		Q.A.	
		THREE PLACE DECIMAL ±		COMMENTS:	
		INTERPRET GEOMETRIC TOLERANCING PER:			
		MATERIAL			
NEXT ASSY	USED ON	FINISH			
APPLICATION		DO NOT SCALE DRAWING			

TITLE: 20 Thrust Foil Bearing		
SIZE <b>B</b>	DWG. NO. <b>FB-T20-X65</b>	REV
SCALE: 1:1	WEIGHT:	SHEET 1 OF 1

4

3

2

1