

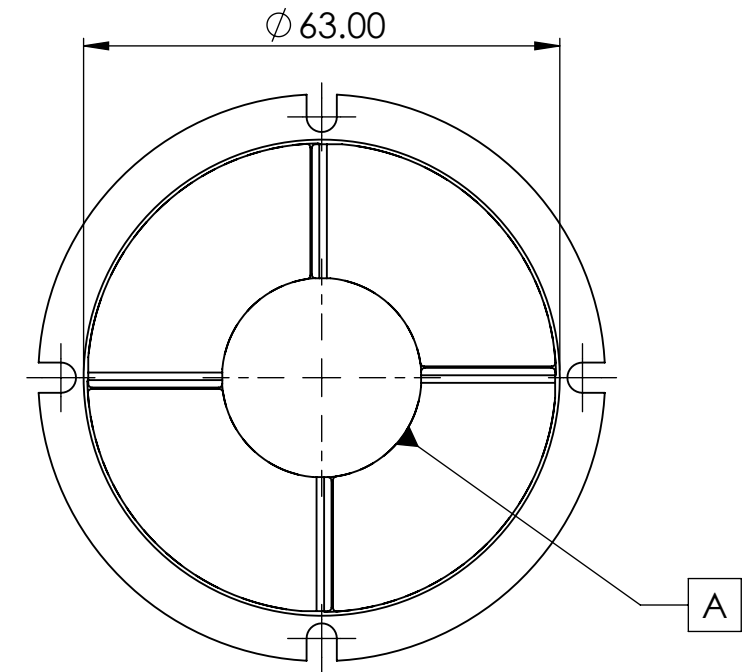
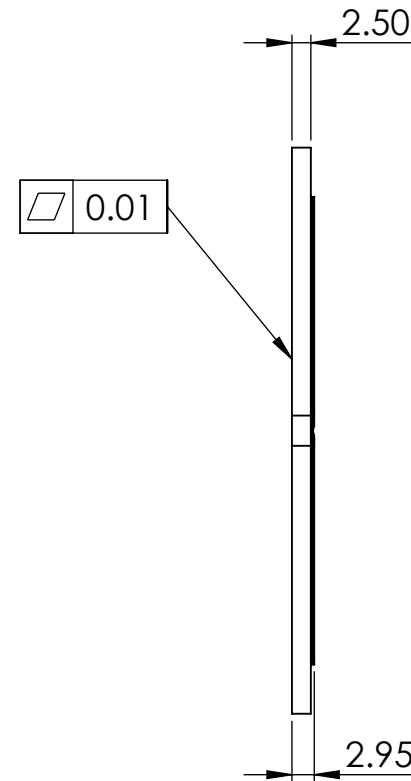
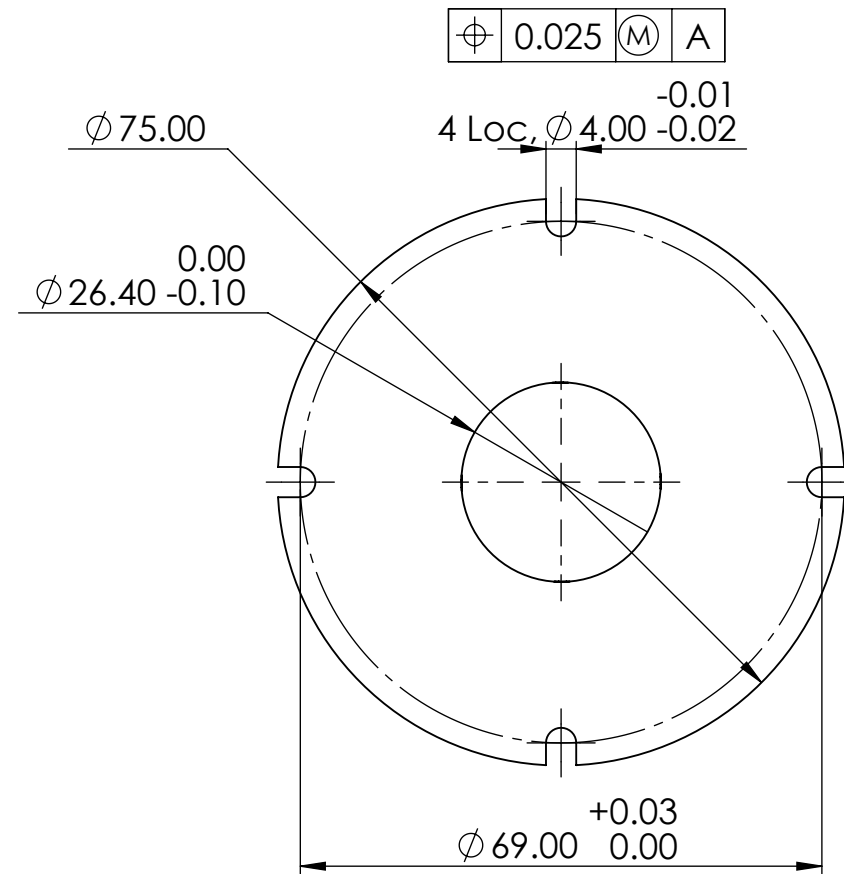
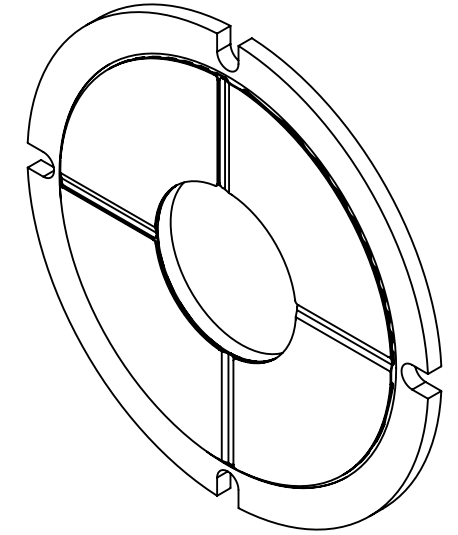
4

3

2

1

Title	Specification
Size	25 mm
Part Number	FB-T25-X75
Lift off Speed	5000 rpm
Load Capacity	630 Newton
Shaft Size	25 mm
Bearing Width	2.95 mm
Bearing OD	75 mm
Rotation Direction	CW
Allowable temperature	-40 °C to 650 °C
Generation	4th OAV Advanced



NOTE:

1. Thrust Runner (TR) Surface finish 16RMS or better
2. Thrust Runner (TR) Coating recommended PS304 / PS400 / MoS2
3. Gap between Thrust Runner (TR) to Thrust Bearing (AFTB) 10 μ m (nominal), 5 μ m (minimum)

PROPRIETARY AND CONFIDENTIAL
 THE INFORMATION CONTAINED IN THIS DRAWING IS THE SOLE PROPERTY OF OAV Air bearing. ANY REPRODUCTION IN PART OR AS A WHOLE WITHOUT THE WRITTEN PERMISSION OF OAV Air bearing IS PROHIBITED.

		UNLESS OTHERWISE SPECIFIED:	NAME	DATE
		DIMENSIONS ARE IN MILLIMETERS	DRAWN	
		TOLERANCES:	CHECKED	
		FRACTIONAL \pm	ENG APPR.	
		ANGULAR: MACH \pm BEND \pm	MFG APPR.	
		TWO PLACE DECIMAL \pm	Q.A.	
		THREE PLACE DECIMAL \pm	COMMENTS:	
		INTERPRET GEOMETRIC TOLERANCING PER:		
		MATERIAL		
NEXT ASSY	USED ON	FINISH		
APPLICATION		DO NOT SCALE DRAWING		



TITLE:		
25 Thrust Foil Bearing		
SIZE	DWG. NO.	REV
B	FB-T25-X75	
SCALE: 1:1	WEIGHT:	SHEET 1 OF 1

4

3

2

1