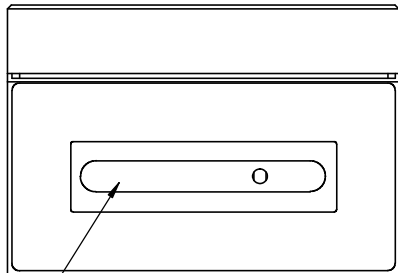
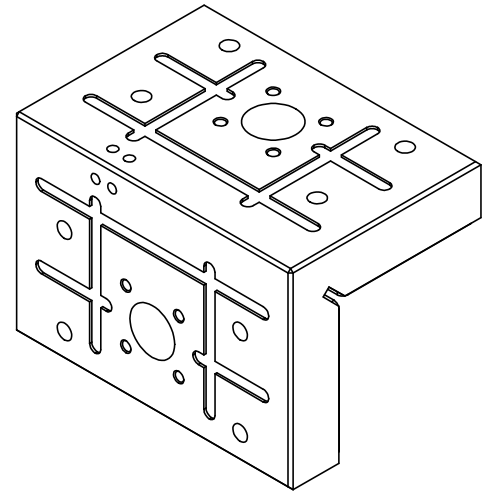
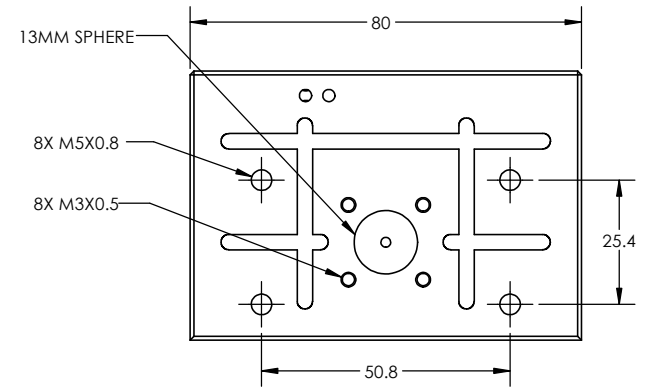
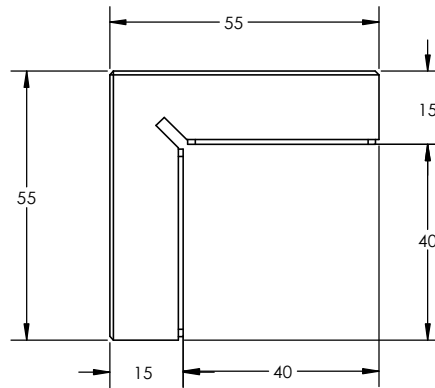



Title	Specification
Size	40mmx80mm
Part Number	OAVMOD40L80V
Input Pressure	0.27 to 0.68 MPa (40 to 100 PSI)
Ideal Load	530 N (119 lbs)
Stiffness	48 N/micron (0.27 lbs/μ in)
Hold Down Force @ 50.8kPa	66.75 N (15 lbs)
Flow	3.16 SCFH
Fly Height	5 microns
Bearing Size	40mm x 80mm
Bearing Height	15mm
Bearing Weight	259 grams
Housing Material/Finish	Aluminum/Anodized
Porous Media Material	Carbon
Flatness	0.0005 mm (0.00002 in)
Port Thread	M5 x 0.8



Ø 3 VACUUM



PROPRIETARY AND CONFIDENTIAL
 THE INFORMATION CONTAINED IN THIS DRAWING IS THE SOLE PROPERTY OF OAVCO LLC. ANY REPRODUCTION IN PART OR AS A WHOLE WITHOUT THE WRITTEN PERMISSION OF OAVCO LLC IS PROHIBITED.

		UNLESS OTHERWISE SPECIFIED:		NAME	DATE	 TITLE: 40MM X 80MM MODULAR VAC PRELOAD AIR BEARING		
		DIMENSIONS ARE IN MILLIMETERS		DRAWN	JS			7/11/23
		TOLERANCES:		CHECKED				
		FRACTIONAL ±		ENG APPR.				
		ANGULAR: MACH ± BEND ±		MFG APPR.				
		TWO PLACE DECIMAL ±		Q.A.				
		THREE PLACE DECIMAL ±		COMMENTS:				
		INTERPRET GEOMETRIC TOLERANCING PER:						
		MATERIAL ALUMINUM 7075/ CARBON						
		FINISH ANODIZE PER MIL-A-8625						
NEXT ASSY	USED ON	APPLICATION						
		DO NOT SCALE DRAWING						
				SCALE: 1:1	WEIGHT:	SHEET 1 OF 1		

SIZE **B** DWG. NO. **OAVMOD40L80V** REV **A**