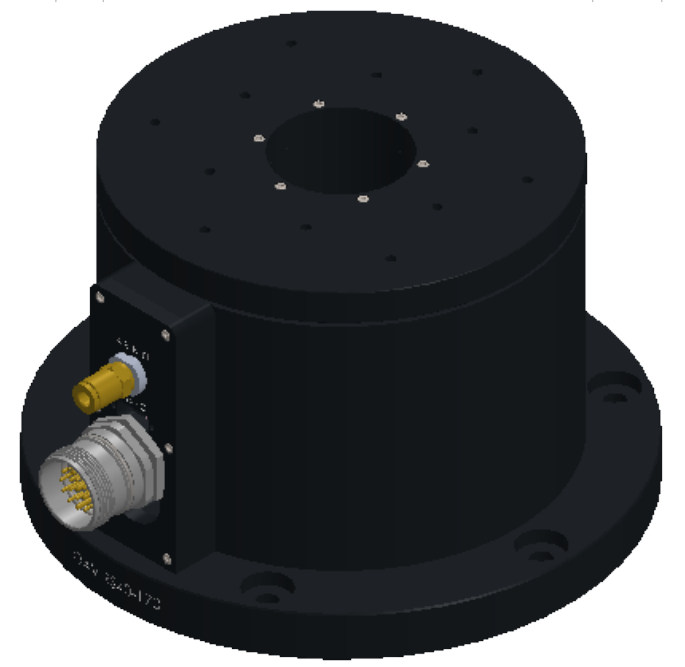
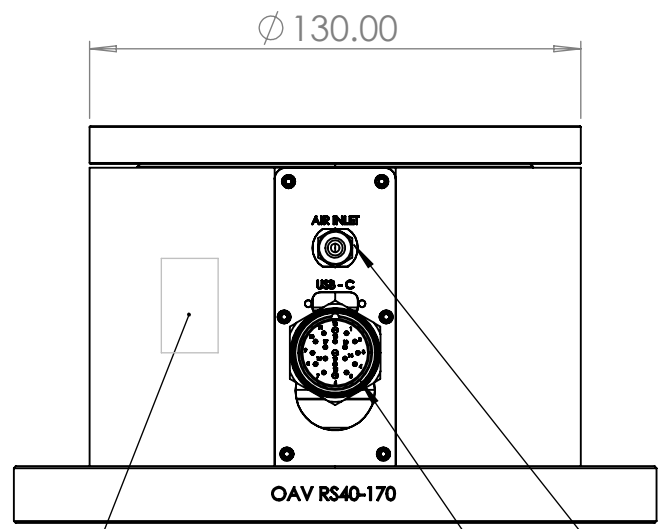
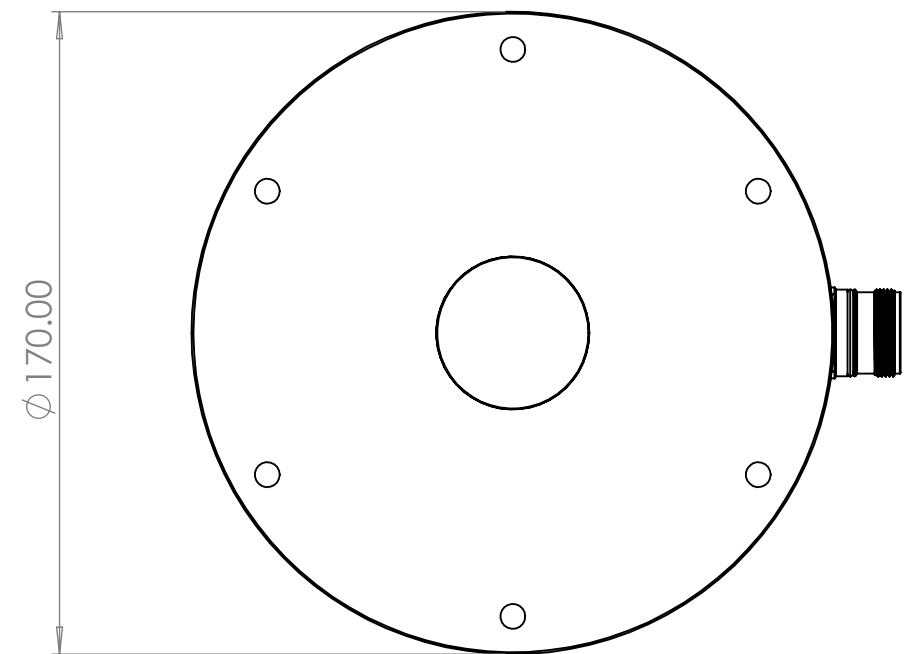
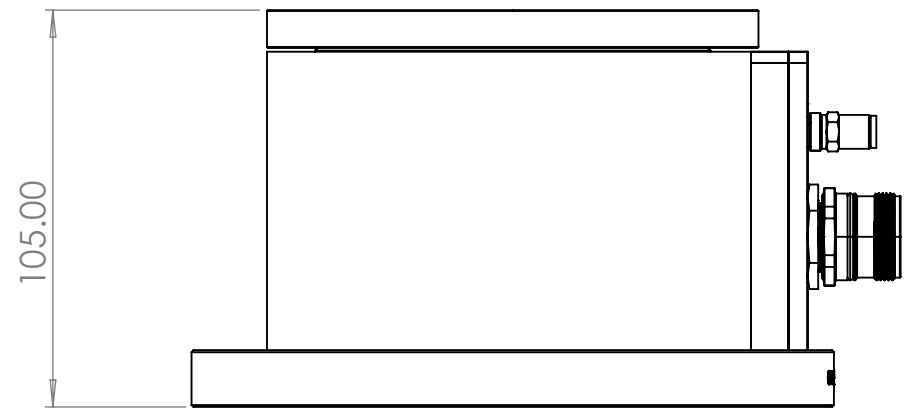
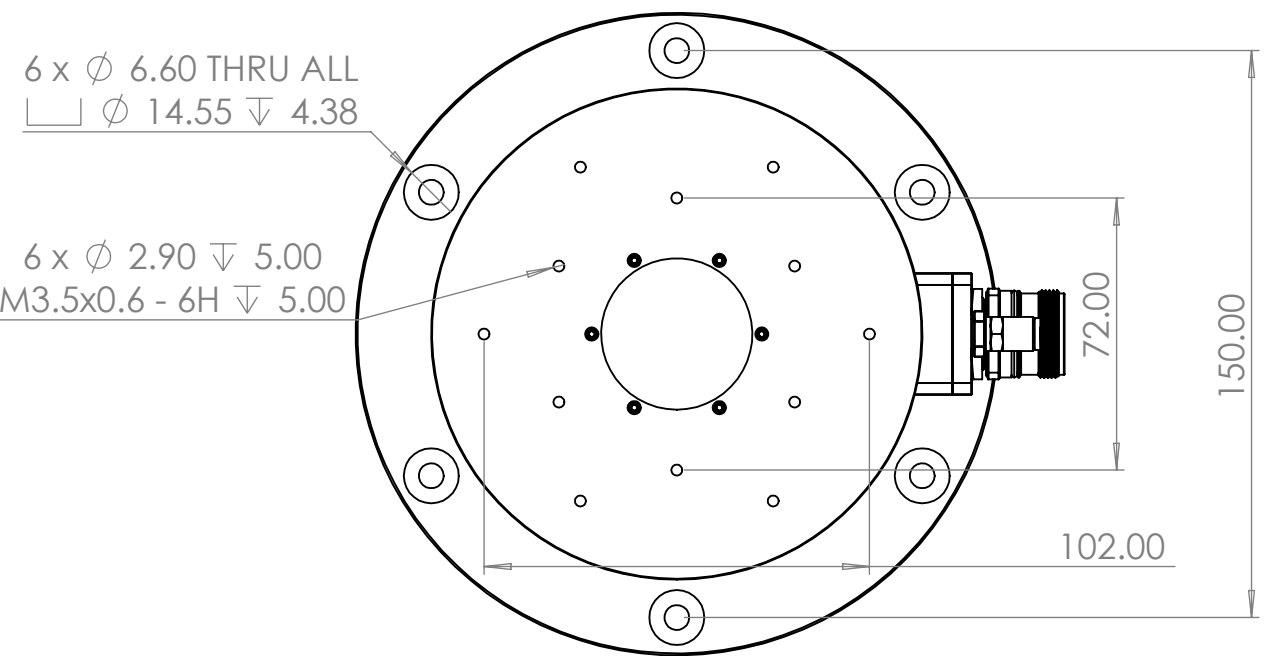



REVISIONS				
ZONE	REV.	DESCRIPTION	DATE	APPROVED



OAV LOGO
Part# RS40-170

5mm Air Fitting
MCV-19MR-0.3M-M20
M23, 19-pole male receptacle

UNLESS OTHERWISE SPECIFIED DIMENSIONS ARE IN INCHES TOLERANCES: FRACTIONAL: \pm 1/64 ANGULAR: \pm 1/4° TWO PLACE DECIMAL: \pm .01 THREE PLACE DECIMAL: \pm .005		FINISH: See Notes	DEBUR AND BREAK SHARP EDGES	DO NOT SCALE DRAWING	REVISION
DRAWN: JH		SIGNATURE	DATE: 09/25/25	 Rotational Stages 40mm X170	
CHK'D					
APP'VD					
MFG					
Q.A					
MATERIAL: See Notes			DWG NO.: RS40-170	A4	
WEIGHT:			SCALE: 1:2	SHEET 1 OF 1	