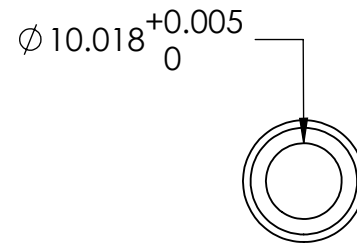
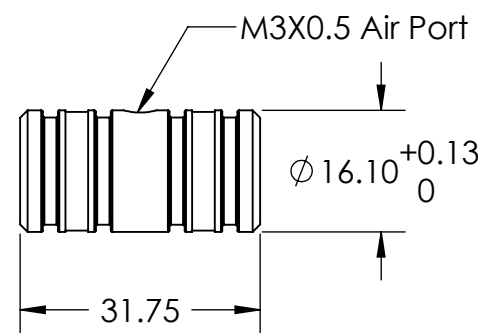
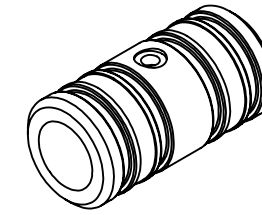
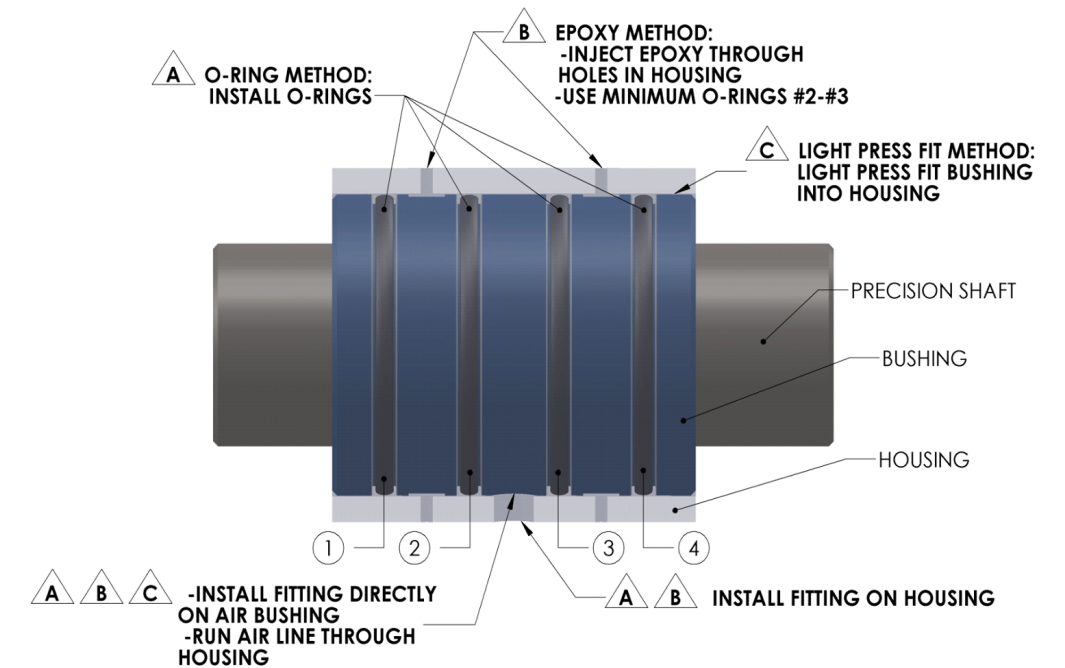


Title	Specification
Size	10 mm ID
Part Number	OAV010MB
Housing Material/Finish	7075 Aircraft Quality Aluminum/ Mil Spec Anodize
Input Pressure	.28 Mpa to .68 max Mpa (40 to 100 PSI)
Porous Material	Carbon
Pressure Port Threads	M3 X 0.5
Lifetime	infinite
Radial Load Max	20.6 N
Radial Stiffness	7 N/μm (0.04 lbs/μin)
Pitch Moment Max	0.29 N-m (2.75 lbs-in)
Bushing Inside Diameter (ID)	10.018mm +.005mm -.00mm
Bushing Outside Diameter (OD)	16.10mm +.13mm -.00mm
Bushing Length	31.75 mm
Bushing Weight	8.6 grams
Recommended Shaft Outside Diameter (OD)	10.00mm -.02mm
Flow Rate	4.70 SCFH



INSTALLATION OPTIONS **A** **B** AND **C**



PROPRIETARY AND CONFIDENTIAL
THE INFORMATION CONTAINED IN THIS DRAWING IS THE SOLE PROPERTY OF OAVCO LLC. ANY REPRODUCTION IN PART OR AS A WHOLE WITHOUT THE WRITTEN PERMISSION OF OAVCO LLC IS PROHIBITED.

		UNLESS OTHERWISE SPECIFIED:	NAME	DATE	<p>TITLE: 10 MM AIR BUSHING</p>
		DIMENSIONS ARE IN MILLIMETERS	DRAWN		
		TOLERANCES:	CHECKED		
		FRACTIONAL ±	ENG APPR.		
		ANGULAR: MACH ± BEND ±	MFG APPR.		
		TWO PLACE DECIMAL ±	Q.A.		SIZE DWG. NO. REV
		THREE PLACE DECIMAL ±	COMMENTS:		B OAV010MB
NEXT ASSY	USED ON	INTERPRET GEOMETRIC TOLERANCING PER:			SCALE: 1:1 WEIGHT: SHEET 1 OF 1
APPLICATION		MATERIAL ALUMINUM 7075/ CARBON			
		FINISH ANODIZE PER MIL-A-8625			
		DO NOT SCALE DRAWING			