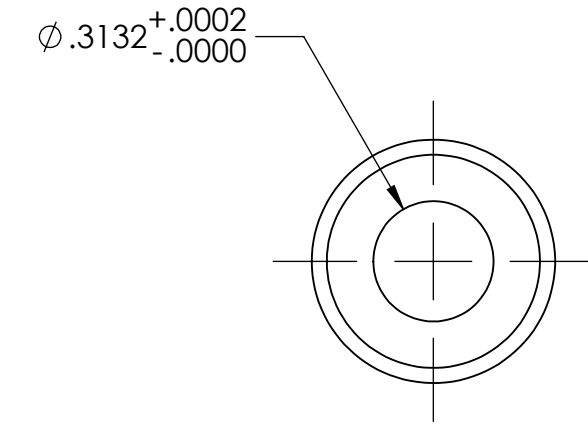
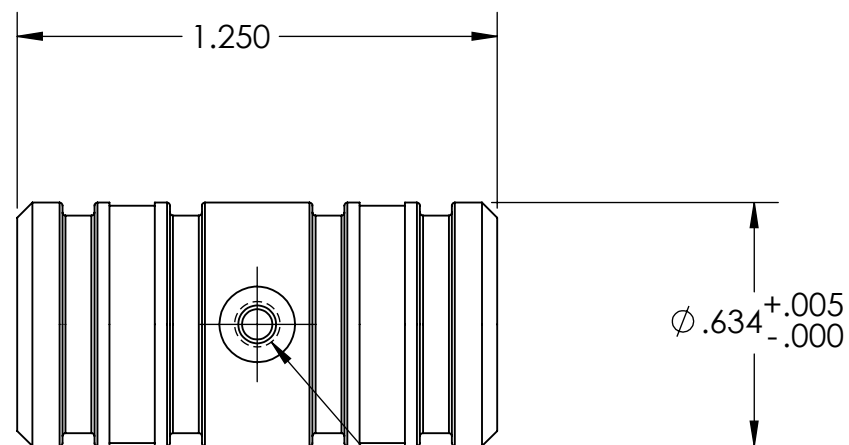
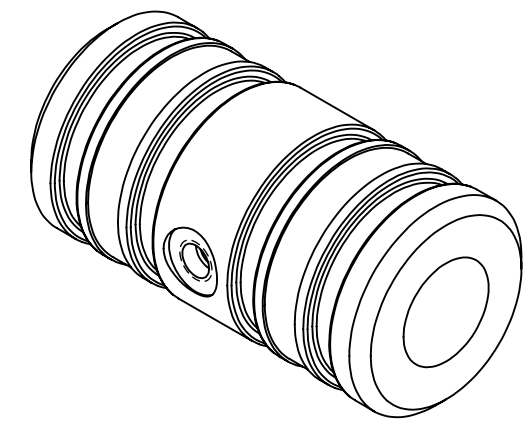
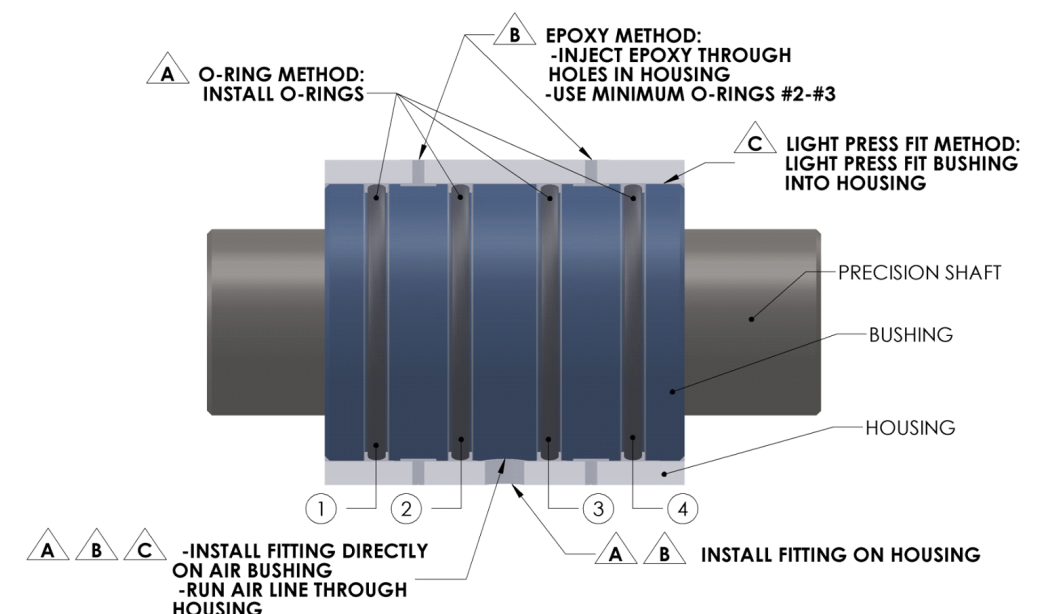


Size	0.312Inch ID
Part Number	OAV0312IB
Housing Material/Finish	7075 Aircraft Quality Aluminum/ Mil Spec Anodize
Input Pressure	40 psi - 100 max psi
Porous Material	Carbon
Pressure Port Threads	M3 X 0.5
Lifetime	infinite
Radial Load Max	4.36 lbs
Radial Stiffness	.039 lbs/μ in (7 N/μ m)
Pitch Moment Max	2.74 lbs-in (.28 N-m)
Bushing Inside Diameter (ID)	0.3132in +.0002in -.0000in
Bushing Outside Diameter (OD)	0.634in +.005in -.000in
Bushing Length	1.250 in
Bushing Weight	8.8 grams
Recommended Shaft Outside Diameter (OD)	0.3125 in - .0007in
Flow Rate	4.40 SCFH



M3X0.5 AIR PORT

INSTALLATION OPTIONS **A** **B** AND **C**



SCALE 2 : 1

PROPRIETARY AND CONFIDENTIAL
THE INFORMATION CONTAINED IN THIS DRAWING IS THE SOLE PROPERTY OF OAVCO LLC. ANY REPRODUCTION IN PART OR AS A WHOLE WITHOUT THE WRITTEN PERMISSION OF OAVCO LLC IS PROHIBITED.

UNLESS OTHERWISE SPECIFIED:		NAME	DATE	<p>TITLE: .312 INC AIR BUSHING</p> <p>SIZE B DWG. NO. OAV0312IB REV</p> <p>SCALE: 1:1 WEIGHT: SHEET 1 OF 1</p>
DIMENSIONS ARE IN INCHES		DRAWN		
TOLERANCES:		CHECKED		
FRACTIONAL ±		ENG APPR.		
ANGULAR: MACH ± BEND ±		MFG APPR.		
TWO PLACE DECIMAL ±		Q.A.		
THREE PLACE DECIMAL ±		COMMENTS:		
INTERPRET GEOMETRIC TOLERANCING PER:				
MATERIAL ALUMINUM 7075/ CARBON				
FINISH ANODIZE PER MIL-A-8625				
NEXT ASSY	USED ON			
APPLICATION		DO NOT SCALE DRAWING		