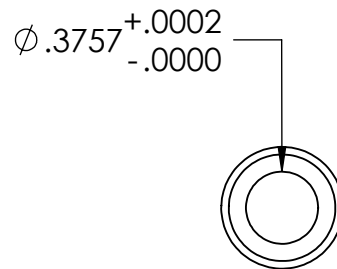
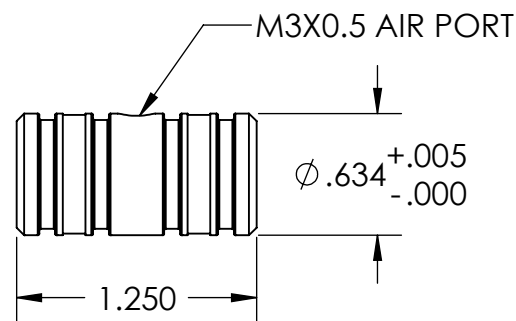
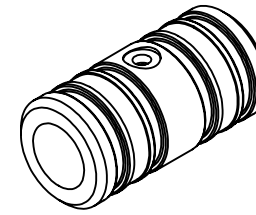
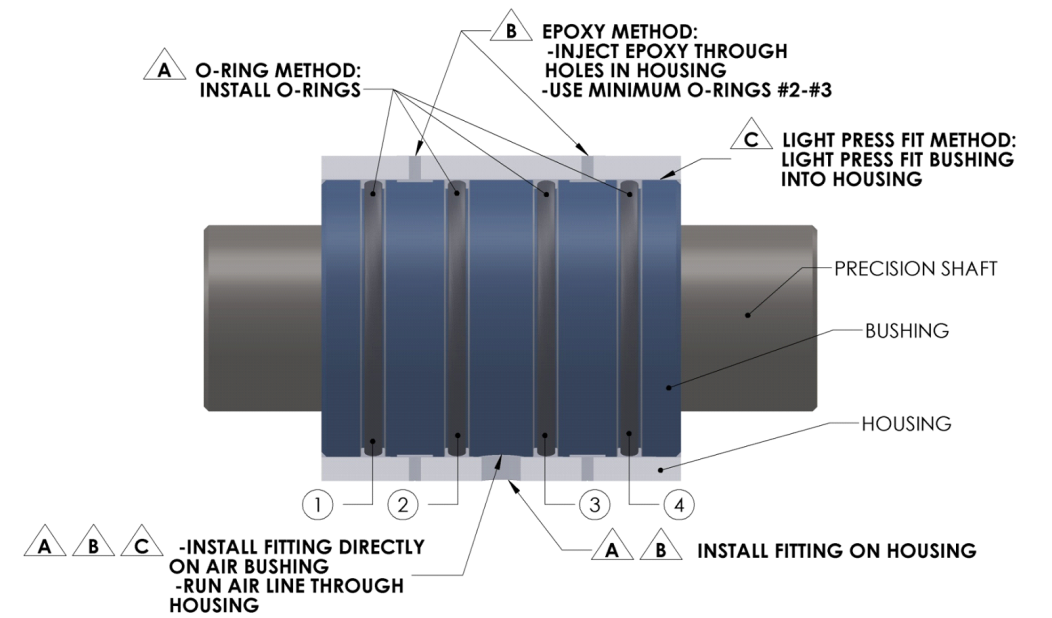


Title	Specification
Size	0.375 Inch ID
Part Number	OAV0375IB
Housing Material/Finish	7075 Aircraft Quality Aluminum/ Mil Spec Anodize
Input Pressure	40 psi - 100 max psi
Porous Material	Carbon
Pressure Port Threads	M3 X 0.5
Lifetime	infinite
Radial Load Max	4.44 lbs
Radial Stiffness	.04 lbs/μ in (7 N/μ m)
Pitch Moment Max	2.75 lbs-in (.29 N-m)
Bushing Inside Diameter (ID)	0.3757in +.0002in -.0000in
Bushing Outside Diameter (OD)	0.634in +.005in -.000in
Bushing Length	1.250 in
Bushing Weight	8.8 grams
Recommended Shaft Outside Diameter (OD)	0.37500 in - .0007in
Flow Rate	4.50 SCFH



INSTALLATION OPTIONS **A** **B** AND **C**



PROPRIETARY AND CONFIDENTIAL
THE INFORMATION CONTAINED IN THIS DRAWING IS THE SOLE PROPERTY OF OAVCO LLC. ANY REPRODUCTION IN PART OR AS A WHOLE WITHOUT THE WRITTEN PERMISSION OF OAVCO LLC IS PROHIBITED.

		UNLESS OTHERWISE SPECIFIED:		NAME	DATE
		DIMENSIONS ARE IN INCHES TOLERANCES: FRACTIONAL ± ANGULAR: MACH ± BEND ± TWO PLACE DECIMAL ± THREE PLACE DECIMAL ±		DRAWN	
		INTERPRET GEOMETRIC TOLERANCING PER:		CHECKED	
		MATERIAL ALUMINUM 7075/ CARBON		ENG APPR.	
NEXT ASSY	USED ON	FINISH ANODIZE PER MIL-A-8625		MFG APPR.	
APPLICATION		DO NOT SCALE DRAWING		Q.A.	
				COMMENTS:	
TITLE: .375 INC AIR BUSHING					
SIZE B	DWG. NO. OAV0375IB	REV			
SCALE: 1:1	WEIGHT:	SHEET 1 OF 1			