

4

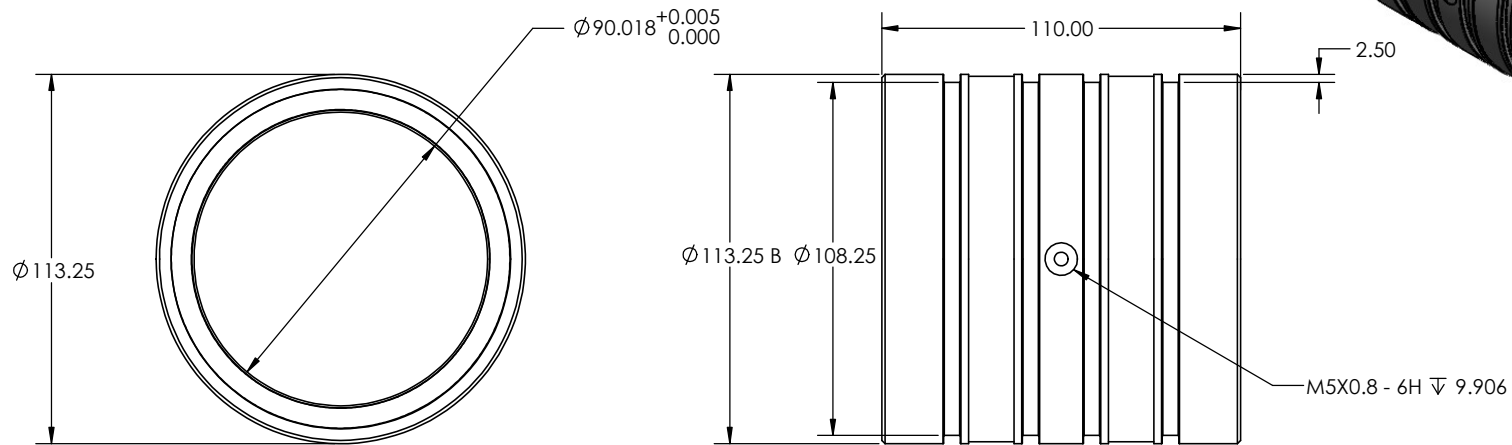
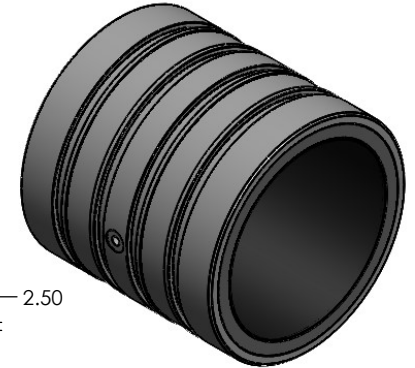
3

2

1

Title	Specification
Size	90 mm ID
Part number	OAV090MB
Housing Material	7075 Aircraft Aluminium/ Anodize Blue
Input Pressure	.28 MPa to .68 Mpa (40 to 100 PSI)
Porous Material	Carbon
Pressure Port Threads	M5X0.8
Lifetime	Infinite
Radial Load (60 psig)	2000 N
Radial Stiffness	245 N/micron
Pitch Moment Max	8.9 N-m
Bushing Inside Diameter (ID)	90.018mm +.005mm-0mm
Bushing Outside Diameter (OD)	113.25 mm
Bushing Length	110 mm
Bushing Weight	907.9 grams
Recommended Shaft Outside Diameter	90.00 mm -.02 mm
Flow Rate	52.5 SCHF

REVISIONS				
ZONE	REV.	DESCRIPTION	DATE	APPROVED
	B	113.25 WAS 111.5	2/1/23	JS
	C	TABLE UPDATE	2/8/23	JS

**Note:**

- 1-Break edges .010 as shown
- 2-O-Ring 3.5x106
- 3-Radial Load @98.6psig - 3285N

**PROPRIETARY AND CONFIDENTIAL**  
 THE INFORMATION CONTAINED IN THIS DRAWING IS THE SOLE PROPERTY OF OAV Air bearing. ANY REPRODUCTION IN PART OR AS A WHOLE WITHOUT THE WRITTEN PERMISSION OF OAV Air bearing IS PROHIBITED.

		UNLESS OTHERWISE SPECIFIED:	NAME	DATE
		DIMENSIONS ARE IN MILLIMETERS	JS	2/8/23
		TOLERANCES:		
		FRACTIONAL: ±1/64	CHECKED	
		ANGULAR: ±1/4°	ENG APPR.	
		TWO PLACE DECIMAL: ±0.25	MFG APPR.	
		THREE PLACE DECIMAL: ±0.127	Q.A.	
		INTERPRET GEOMETRIC TOLERANCING PER: ASMEY14.5	COMMENTS:	
		MATERIAL		
		Aluminium 7075-T6		
		FINISH		
		Anodize Blue		
NEXT ASSY	USED ON	APPLICATION		
		DO NOT SCALE DRAWING		



TITLE:  
**90 mm Bushing**

SIZE	DWG. NO.	REV
<b>B</b>	<b>OAV090MB</b>	<b>C</b>
SCALE: 1:1.5	WEIGHT:	SHEET 1 OF 1

4

3

2

1