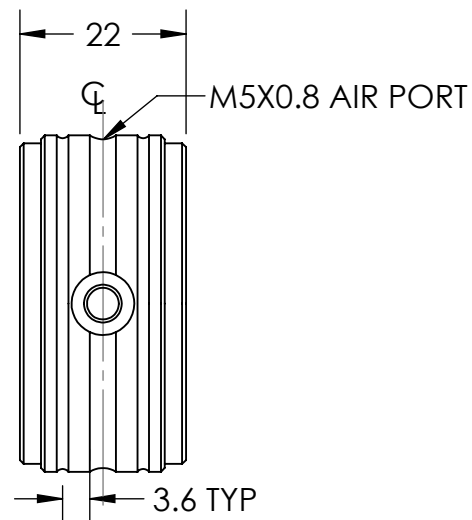
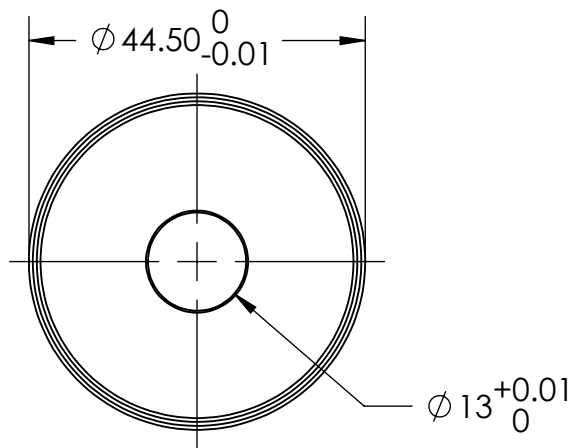
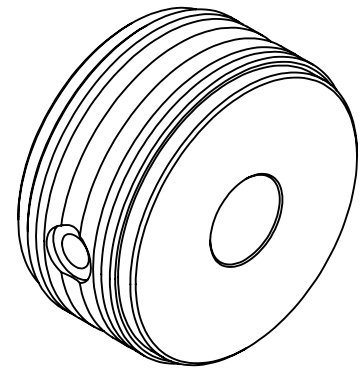
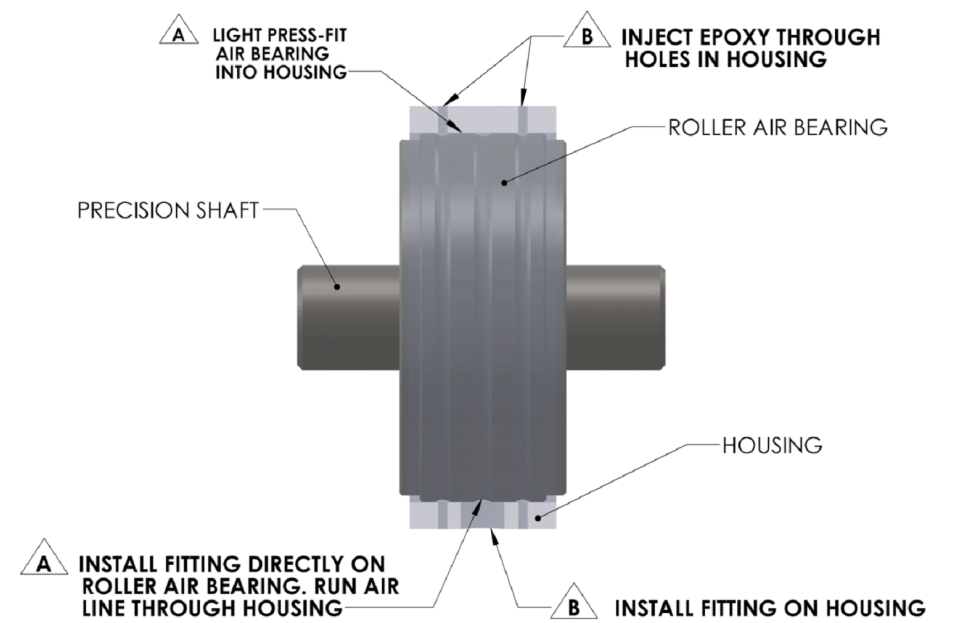


Title	Specification
Size	13mm ID
Part Number	OAVRL13M
Housing Material/Finish	7075 Aircraft Quality Aluminum
Input Pressure	40 psi - 100 max psi
Porous Material	Carbon
Pressure Port Threads	M5x0.8
Lifetime	infinite
Radial Load Capacity	6.5 lbs (28.8 N)
Optimal Thrust Load	27lbs (120 N)
Radial Stiffness	11 N/ $\mu$ m (.06 lbs/ $\mu$ in)
Bearing Inside Diameter (ID)	13mm +.01mm
Bearing Outside Diameter (OD)	44.5mm -.01mm
Bearing Length	22 mm
Bearing Weight	76g
Recommended Shaft Outside Diameter (OD)	13mm - .02mm
Flow Rate	12.2 SCFH (5.8 NLPM)



INSTALLATION OPTIONS **A** AND **B**



**PROPRIETARY AND CONFIDENTIAL**  
 THE INFORMATION CONTAINED IN THIS DRAWING IS THE SOLE PROPERTY OF OAVCO LLC. ANY REPRODUCTION IN PART OR AS A WHOLE WITHOUT THE WRITTEN PERMISSION OF OAVCO LLC IS PROHIBITED.

		UNLESS OTHERWISE SPECIFIED:	NAME	DATE	
		DIMENSIONS ARE IN MILLIMETERS	DRAWN		
		TOLERANCES:	CHECKED		TITLE: <b>ROLLER AIR BEARING, 13 MM</b>
		FRACTIONAL $\pm$	ENG APPR.		
		ANGULAR: MACH $\pm$ BEND $\pm$	MFG APPR.		
		TWO PLACE DECIMAL $\pm$	Q.A.		SIZE DWG. NO. REV <b>B</b> OAVRL13M
		THREE PLACE DECIMAL $\pm$	COMMENTS:		
NEXT ASSY	USED ON	INTERPRET GEOMETRIC TOLERANCING PER:			SCALE: 1:1
		MATERIAL ALUMINUM 7075/ CARBON			WEIGHT:
		FINISH ANODIZE PER MIL-A-8625			SHEET 1 OF 1
APPLICATION		DO NOT SCALE DRAWING			