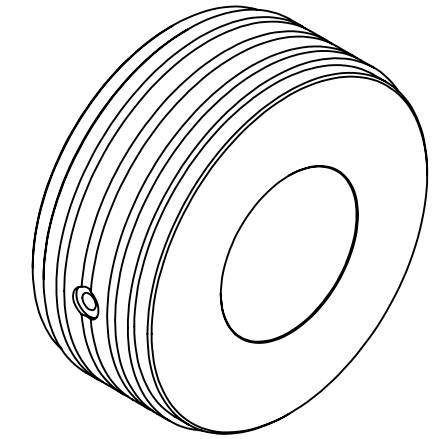
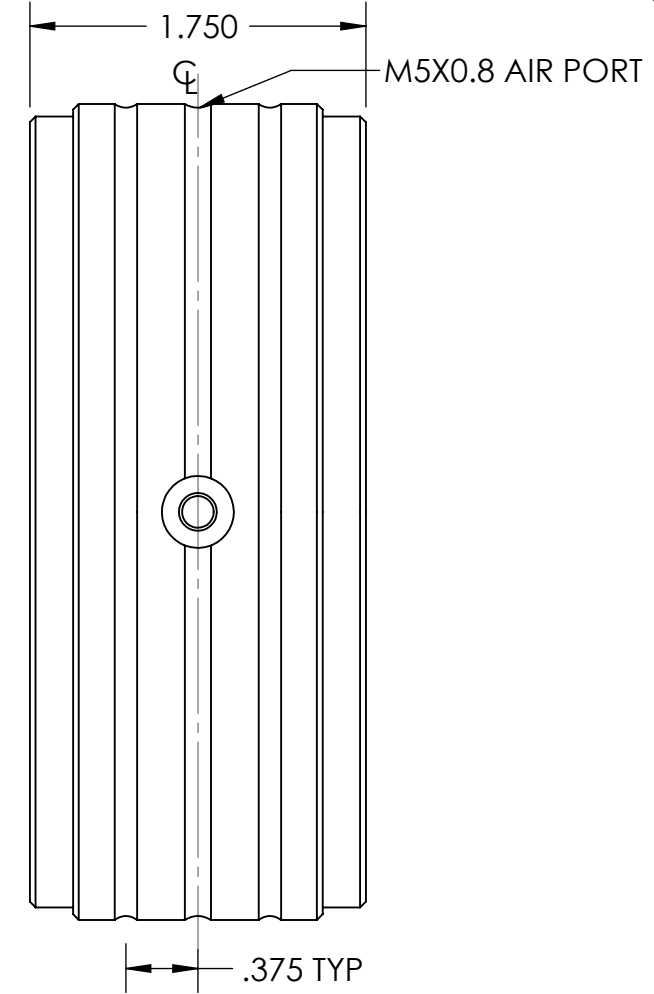
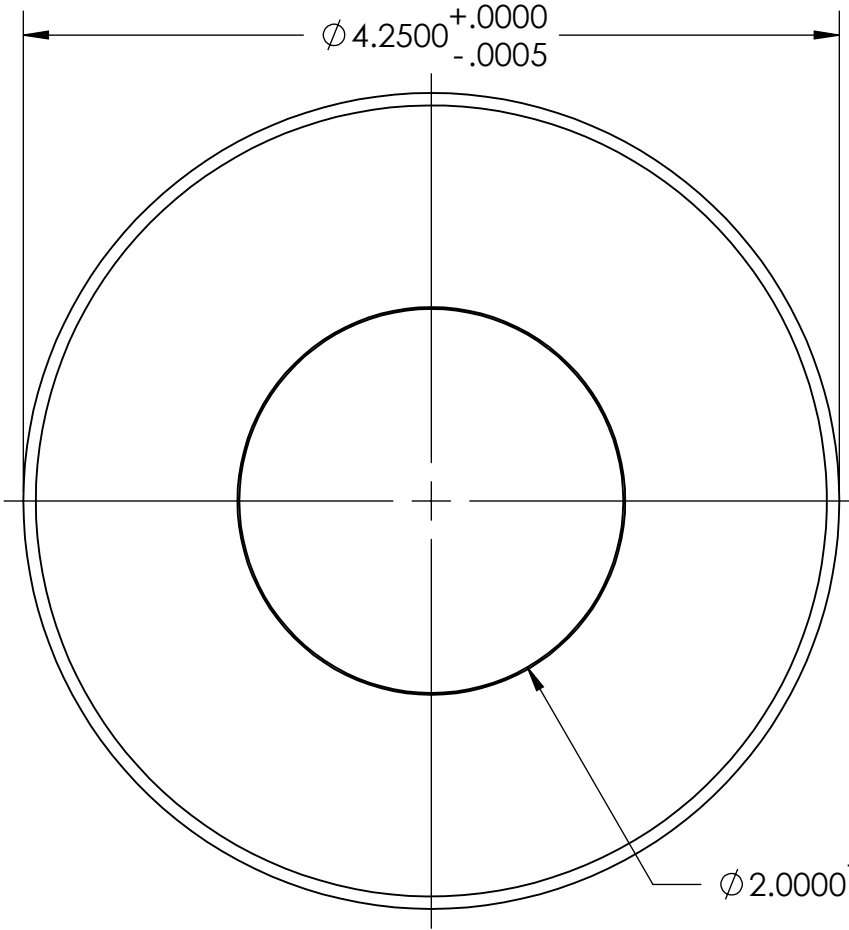


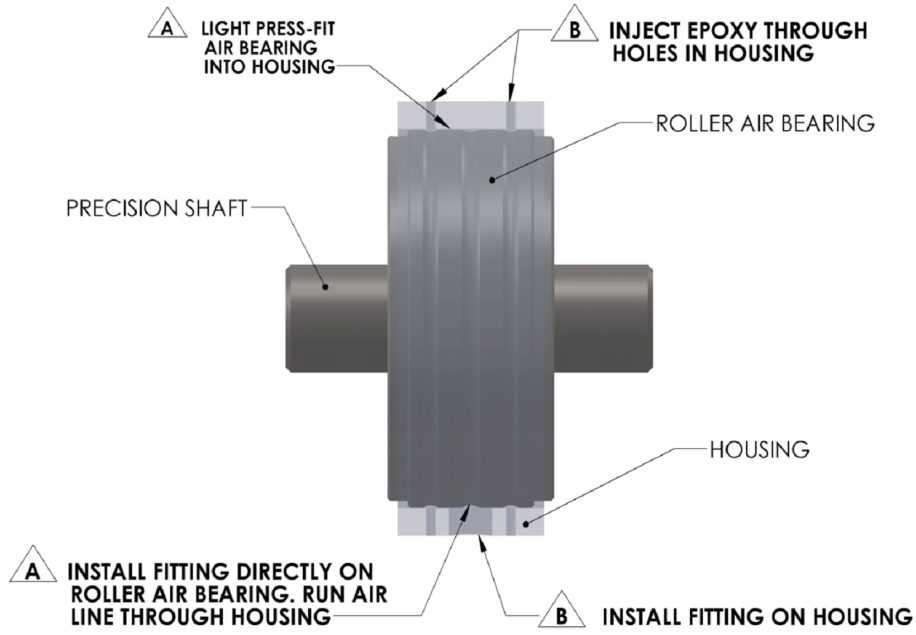
Title	Specification
Size	2 inch ID
Part Number	OAVRL2000
Housing Material/Finish	7075 Aircraft Quality Aluminum
Input Pressure	40 psi - 100 max psi
Porous Material	Carbon
Pressure Port Threads	M5x0.8
Lifetime	infinite
Radial Load Capacity	70.1 lbs (311.8 N)
Optimal Thrust Load	175 lbs (778 N)
Radial Stiffness	110 N/ $\mu$ m (0.63 lbs/ $\mu$ in)
Bearing Inside Diameter (ID)	2.0000 inch +.0005inch-.0000inch
Bearing Outside Diameter (OD)	4.2500 inch +.0000inch-.0005inch
Bearing Length	1.25 inch
Bearing Weight	1265g
Recommended Shaft Outside Diameter (OD)	2.0000 inch - .0007 inch
Flow Rate	39.3 SCFH (18.5 NLPM)



SCALE 1 : 2



INSTALLATION OPTIONS **A** AND **B**



**PROPRIETARY AND CONFIDENTIAL**  
 THE INFORMATION CONTAINED IN THIS DRAWING IS THE SOLE PROPERTY OF OAVCO LLC. ANY REPRODUCTION IN PART OR AS A WHOLE WITHOUT THE WRITTEN PERMISSION OF OAVCO LLC IS PROHIBITED.

		UNLESS OTHERWISE SPECIFIED:					
		DIMENSIONS ARE IN INCHES		DRAWN		TITLE:	
		TOLERANCES:		CHECKED		ROLLER AIR BEARING,	
		FRACTIONAL $\pm$		ENG APPR.		2.000 INC	
		ANGULAR: MACH $\pm$ BEND $\pm$		MFG APPR.		SIZE DWG. NO. REV	
		TWO PLACE DECIMAL $\pm$		Q.A.		<b>B</b> OAVRL2000	
		THREE PLACE DECIMAL $\pm$		COMMENTS:		SCALE: 1:1 WEIGHT: SHEET 1 OF 1	
		INTERPRET GEOMETRIC TOLERANCING PER:					
		MATERIAL					
		ALUMINUM 7075/CARBON					
		FINISH					
NEXT ASSY		USED ON					
APPLICATION		DO NOT SCALE DRAWING					