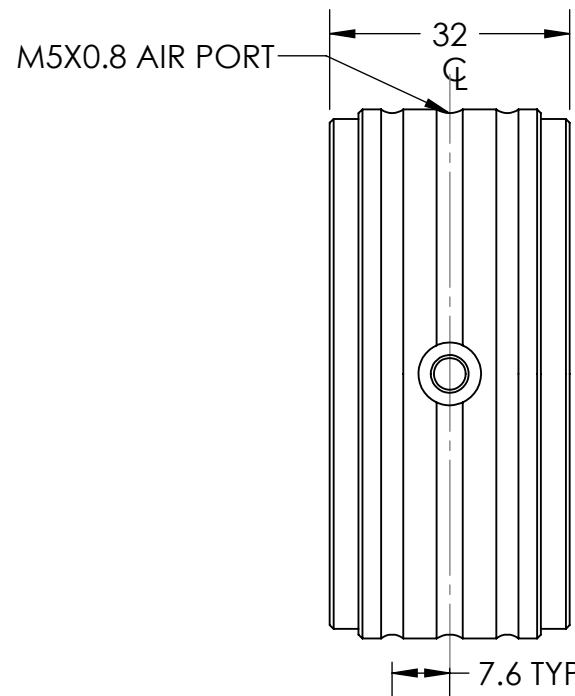
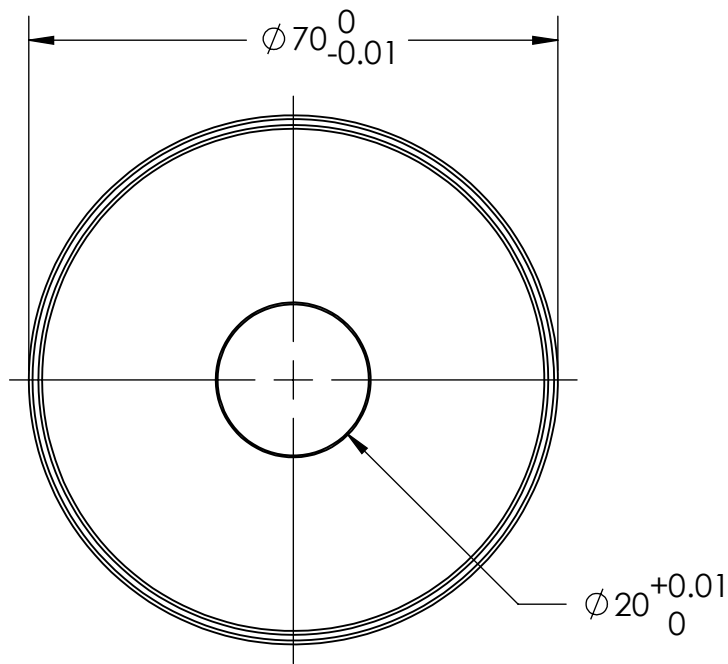
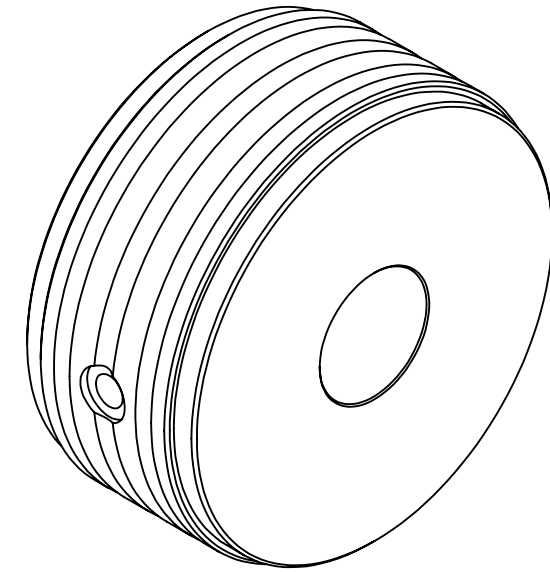
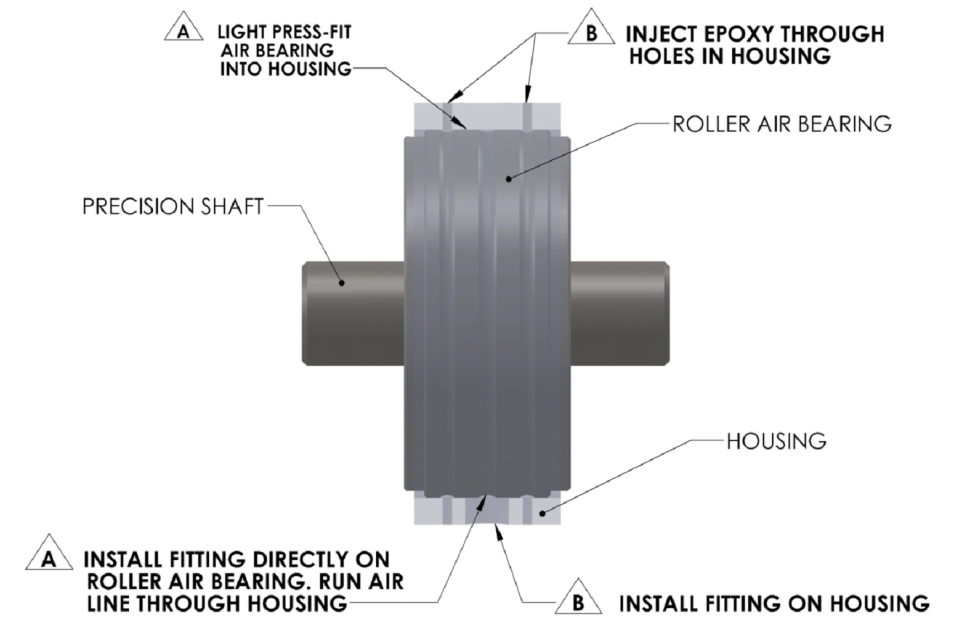



Title	Specification
Size	20mm ID
Part Number	OAVRL20M
Housing Material/Finish	7075 Aircraft Quality Aluminum
Input Pressure	40 psi - 100 max psi
Porous Material	Carbon
Pressure Port Threads	M5x0.8
Lifetime	infinite
Radial Load Capacity	22.6 lbs (100.4 N)
Optimal Thrust Load	85 lbs (378 N)
Radial Stiffness	23 N/μm (0.13 lbs/μin)
Bearing Inside Diameter (ID)	20mm +.01mm
Bearing Outside Diameter (OD)	70mm -.01mm
Bearing Length	31.8 mm
Bearing Weight	260g
Recommended Shaft Outside Diameter (OD)	20mm - .02mm
Flow Rate	18.7 SCFH (8.8 NLPM)



INSTALLATION OPTIONS **A** AND **B**



PROPRIETARY AND CONFIDENTIAL
 THE INFORMATION CONTAINED IN THIS DRAWING IS THE SOLE PROPERTY OF OAVCO LLC. ANY REPRODUCTION IN PART OR AS A WHOLE WITHOUT THE WRITTEN PERMISSION OF OAVCO LLC IS PROHIBITED.

		UNLESS OTHERWISE SPECIFIED:	NAME	DATE	 TITLE: ROLLER AIR BEARING, 20MM
		DIMENSIONS ARE IN MILLIMETERS	DRAWN		
		TOLERANCES:	CHECKED		
		FRACTIONAL ±	ENG APPR.		
		ANGULAR: MACH ± BEND ±	MFG APPR.		
		TWO PLACE DECIMAL ±	Q.A.		SIZE DWG. NO. REV B OAVRL20M R1
		THREE PLACE DECIMAL ±	COMMENTS:		SCALE: 1:1 WEIGHT: SHEET 1 OF 1
NEXT ASSY	USED ON	INTERPRET GEOMETRIC TOLERANCING PER:			
APPLICATION		MATERIAL ALUMINUM 7075/CARBON			
		FINISH			
		DO NOT SCALE DRAWING			