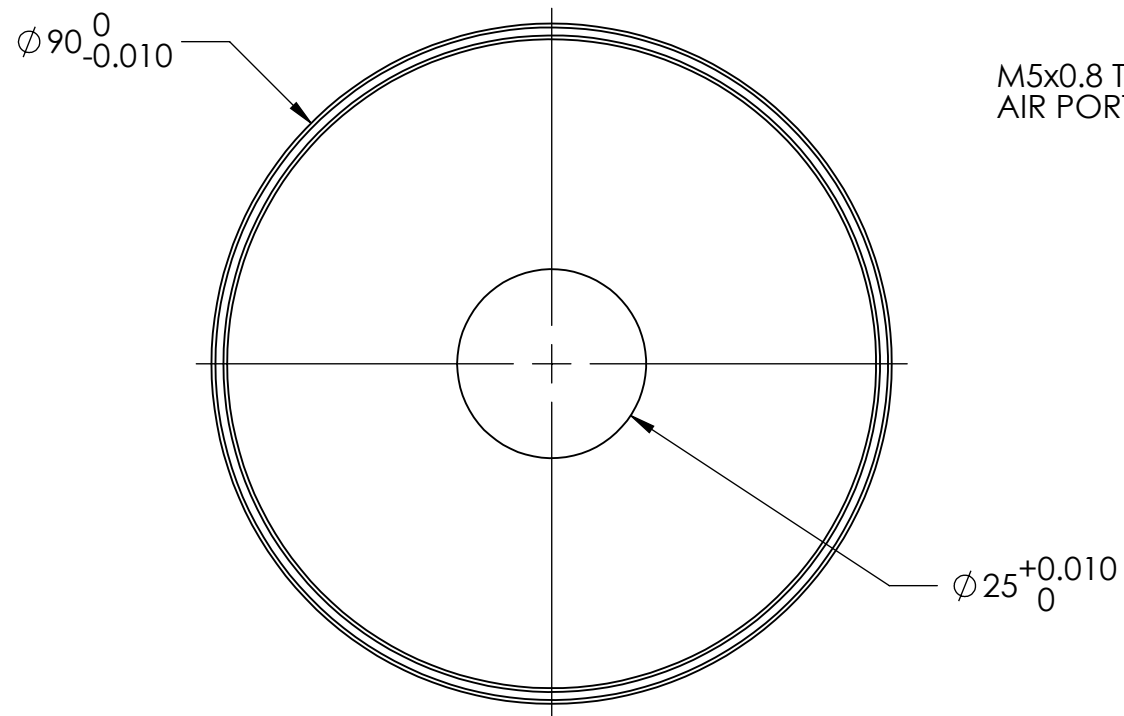
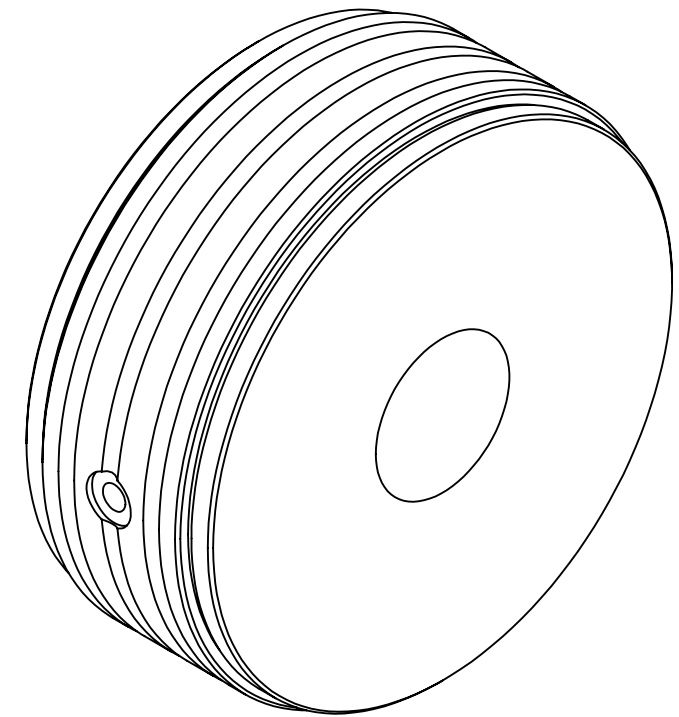
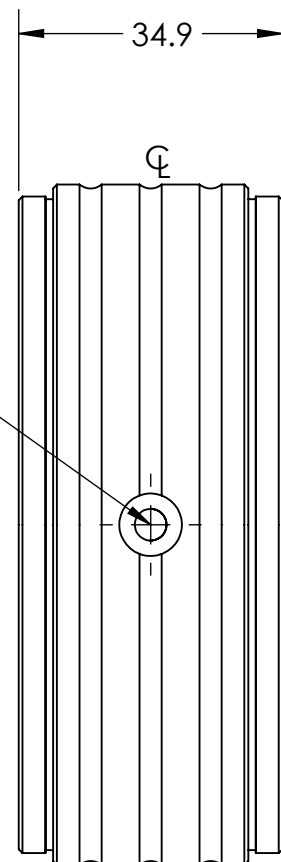


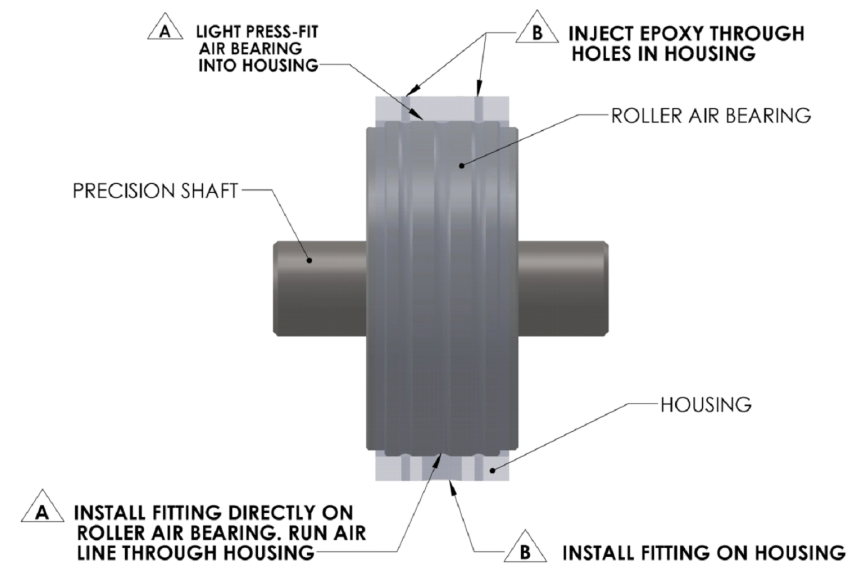
Title	Specification
Size	25mm ID
Part Number	OAVRL25M
Housing Material/Finish	7075 Aircraft Quality Aluminum
Input Pressure	40 psi - 100 max psi
Porous Material	Carbon
Pressure Port Threads	M5x0.8
Lifetime	infinite
Radial Load Capacity	28.6 lbs (127.0 N)
Optimal Thrust Load	155 lbs (689 N)
Radial Stiffness	34 N/ $\mu$ m (0.19 lbs/ $\mu$ in)
Bearing Inside Diameter (ID)	25mm +.01mm
Bearing Outside Diameter (OD)	90mm -.01mm
Bearing Length	34.9 mm
Bearing Weight	766g
Recommended Shaft Outside Diameter (OD)	25mm - .02mm
Flow Rate	23.6 SCFH (11.1 NLPM)



M5x0.8 Tapped AIR PORT



INSTALLATION OPTIONS **A** AND **B**



**PROPRIETARY AND CONFIDENTIAL**  
 THE INFORMATION CONTAINED IN THIS DRAWING IS THE SOLE PROPERTY OF OAVCO LLC. ANY REPRODUCTION IN PART OR AS A WHOLE WITHOUT THE WRITTEN PERMISSION OF OAVCO LLC IS PROHIBITED.

UNLESS OTHERWISE SPECIFIED:		NAME	DATE	 <b>TITLE:</b> ROLLER AIR BEARING, 25MM						
DIMENSIONS ARE IN MILLIMETERS		DRAWN								
TOLERANCES:		CHECKED								
FRACTIONAL $\pm$		ENG APPR.								
ANGULAR: $\pm$		MFG APPR.								
TWO PLACE DECIMAL $\pm$		Q.A.		<table border="1"> <tr> <td>SIZE</td> <td>DWG. NO.</td> <td>REV</td> </tr> <tr> <td><b>B</b></td> <td>OAVRL25M</td> <td>R1</td> </tr> </table>	SIZE	DWG. NO.	REV	<b>B</b>	OAVRL25M	R1
SIZE	DWG. NO.	REV								
<b>B</b>	OAVRL25M	R1								
THREE PLACE DECIMAL $\pm$		COMMENTS:		SCALE: 1:1						
INTERPRET GEOMETRIC TOLERANCING PER:				WEIGHT:						
MATERIAL				SHEET 1 OF 1						
ALUMINUM 7075/CARBON										
FINISH										
NEXT ASSY	USED ON									
APPLICATION	DO NOT SCALE DRAWING									