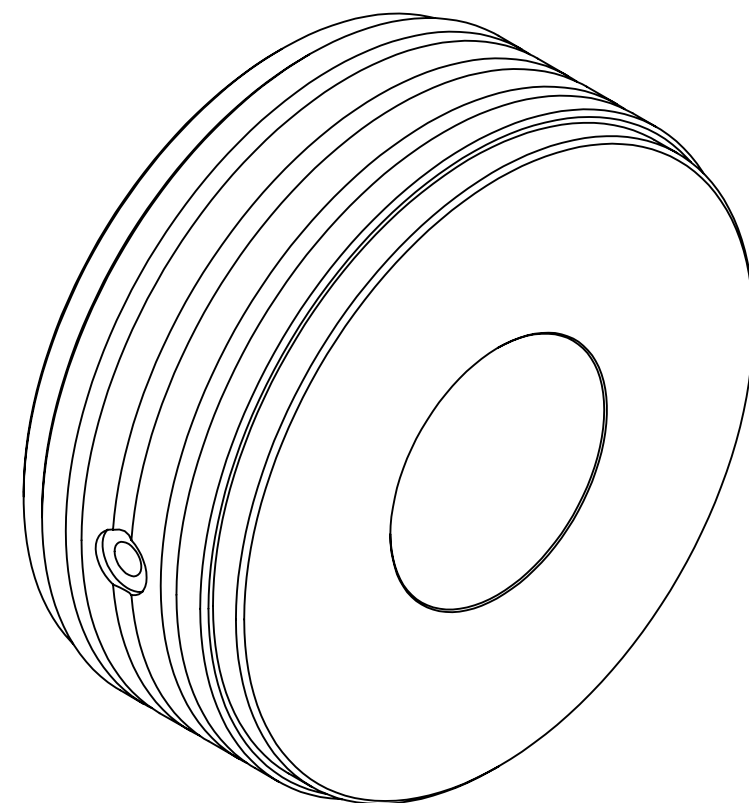
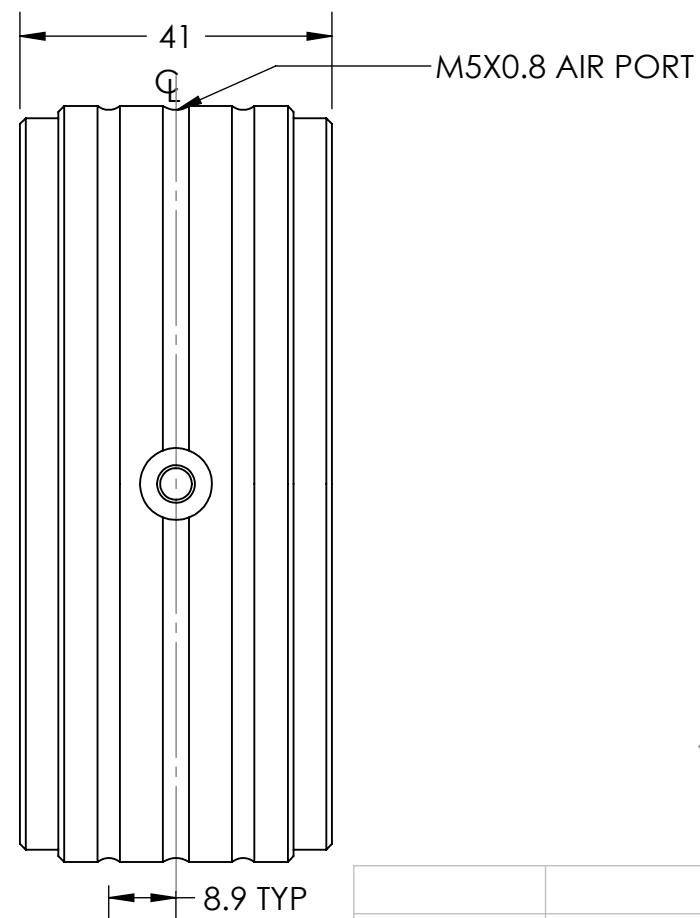
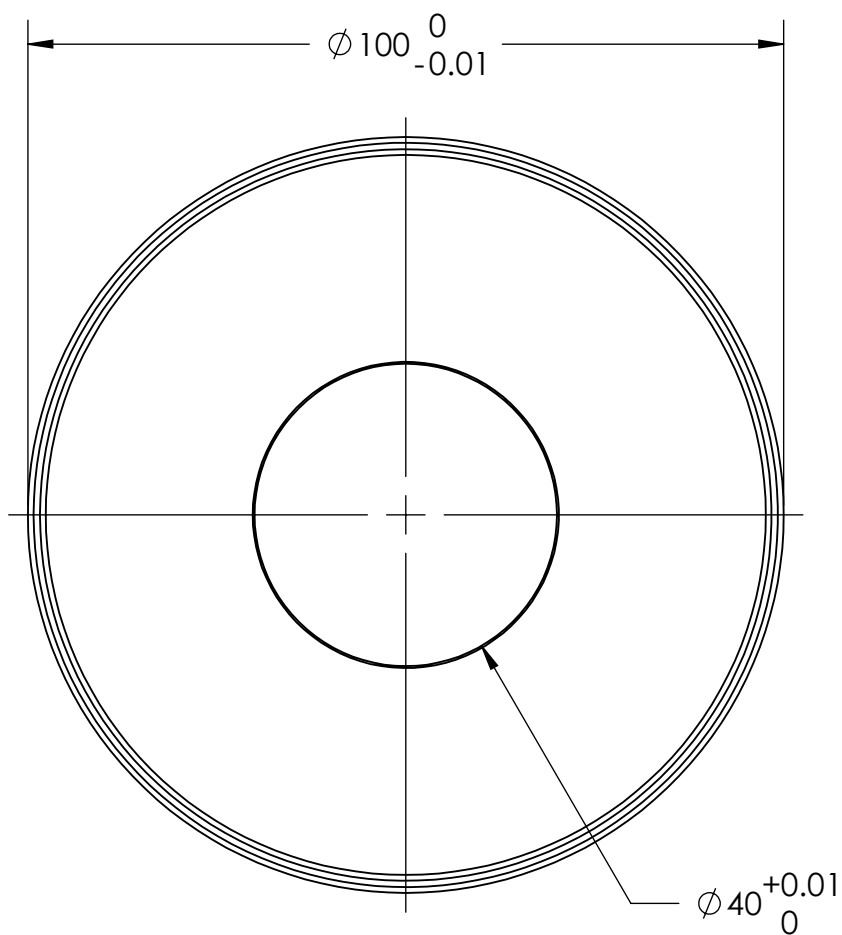
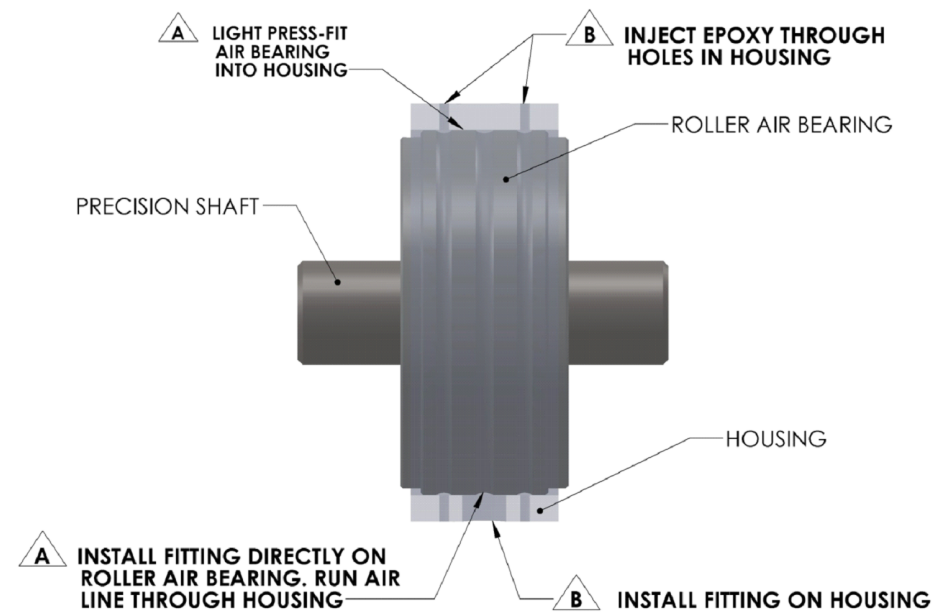


Title	Specification
Size	40mm ID
Part Number	OAVRL40M
Housing Material/Finish	7075 Aircraft Quality Aluminum
Input Pressure	40 psi - 100 max psi
Porous Material	Carbon
Pressure Port Threads	M5x0.8
Lifetime	infinite
Radial Load Capacity	56.2 lbs (250 N)
Optimal Thrust Load	185 lbs (823 N)
Radial Stiffness	72 N/ μ m (0.41 lbs/ μ in)
Bearing Inside Diameter (ID)	40mm \pm 0.01mm
Bearing Outside Diameter (OD)	100mm \pm 0.01mm
Bearing Length	41.3 mm
Bearing Weight	1085g
Recommended Shaft Outside Diameter (OD)	40mm \pm .02mm
Flow Rate	33.83 SCFH (16.0 NLPM)



INSTALLATION OPTIONS **A** AND **B**



PROPRIETARY AND CONFIDENTIAL
 THE INFORMATION CONTAINED IN THIS DRAWING IS THE SOLE PROPERTY OF OAVCO LLC. ANY REPRODUCTION IN PART OR AS A WHOLE WITHOUT THE WRITTEN PERMISSION OF OAVCO LLC IS PROHIBITED.

UNLESS OTHERWISE SPECIFIED:		NAME	DATE
DIMENSIONS ARE IN MILLIMETERS		DRAWN	
TOLERANCES:		CHECKED	
FRACTIONAL \pm		ENG APPR.	
ANGULAR: \pm		MFG APPR.	
TWO PLACE DECIMAL \pm		Q.A.	
THREE PLACE DECIMAL \pm		COMMENTS:	
INTERPRET GEOMETRIC TOLERANCING PER:			
MATERIAL			
ALUMINUM 7075/CARBON			
FINISH			
NEXT ASSY	USED ON		
APPLICATION		DO NOT SCALE DRAWING	

TITLE: ROLLER AIR BEARING, 40MM		
SIZE B	DWG. NO. OAVRL40M	REV R1
SCALE: 1:1	WEIGHT:	SHEET 1 OF 1