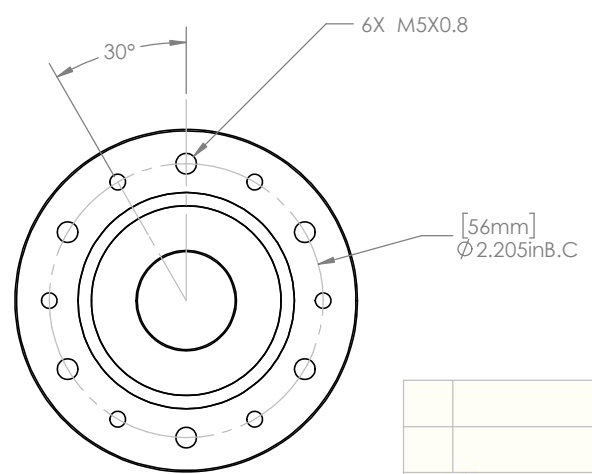
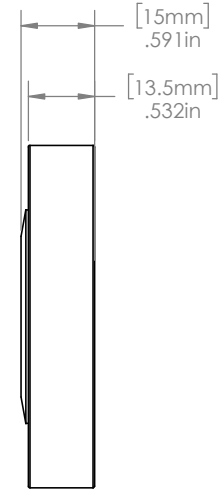
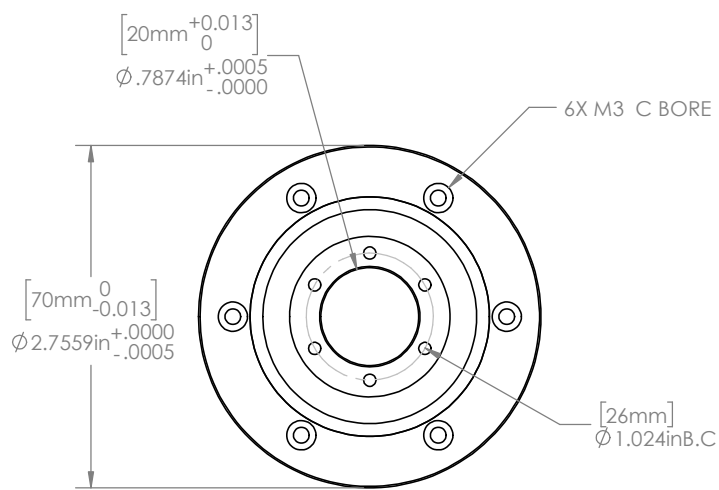
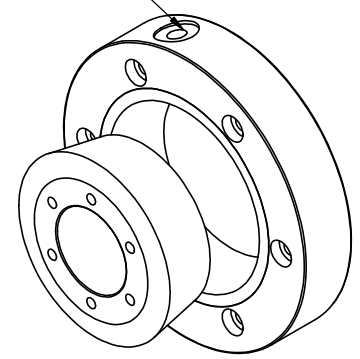


TITLE	Specification
Size	20mm
Part Number	OAV-TPR20M
Housing Material	7075 Aircraft Quality Aluminum/ Hard Anodized
Input Pressure	28 Mpa to 68 Mpa (40 to 100 psi)
Porous Material	Carbon
Pressure Port	M3
Radial Load	34.5lb
Thrust Load	20.7 lb
Stiffness	26 N/ $\mu$ m
Pitch Moment Max	1.6 N-m
Bearing Outside Diameter (OD)	70 mm
Bearing Inside Diameter (ID)	20mm
Bearing Width	15mm
Cage Width	13.5mm
Bearing Weight	.28lb (127.0gram)
Flow Rate	5.22 SCFH

M3 AIR INLET



**PROPRIETARY AND CONFIDENTIAL**  
 THE INFORMATION CONTAINED IN THIS DRAWING IS THE SOLE PROPERTY OF <INSERT COMPANY NAME HERE>. ANY REPRODUCTION IN PART OR AS A WHOLE WITHOUT THE WRITTEN PERMISSION OF <INSERT COMPANY NAME HERE> IS PROHIBITED.

UNLESS OTHERWISE SPECIFIED:		NAME	DATE
DIMENSIONS ARE IN INCHES		DRAWN	JS
TOLERANCES:		CHECKED	
FRACTIONAL $\pm$		ENG APPR.	
ANGULAR: MACH $\pm$ BEND $\pm$		MFG APPR.	
TWO PLACE DECIMAL $\pm$		Q.A.	
THREE PLACE DECIMAL $\pm$		COMMENTS:	
INTERPRET GEOMETRIC TOLERANCING PER:			
MATERIAL:			
FINISH:			
NEXT ASSY	USED ON		
APPLICATION	DO NOT SCALE DRAWING		



TITLE:  
**20mm Tapered Roller Air Bearing**

SIZE **B** DWG. NO. **OAV-TPR020M** REV **A**

SCALE: 1:1 WEIGHT: SHEET 1 OF 1