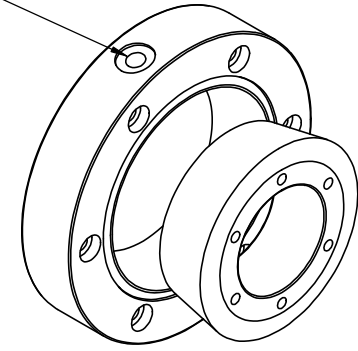
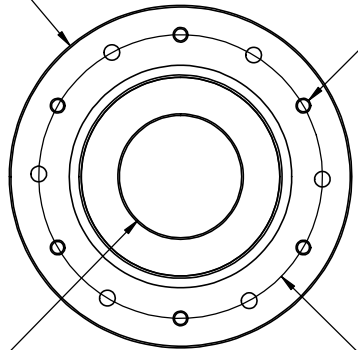


TITLE	Specification
Size	25mm
Part Number	OAV-TPR25M
Housing Material	7075 Aircraft Quality Aluminum/ Hard Anodized
Input Pressure	28 Mpa to 68 Mpa (40 to 100 psi)
Porous Material	Carbon
Pressure Port	M3
Radial Load	71.5lb
Thrust Load	42.9
Stiffness	64 N/ μ m
Pitch Moment Max	2.8 N-m
Bearing Outside Diameter (OD)	70mm
Bearing Inside Diameter (ID)	25mm
Bearing Width	15mm
Cage Width	14mm
Bearing Weight	.28lb (127 gram)
Flow Rate	5.66 SCFH

M5X0.8 - 6H AIR INLET



$\left[\begin{matrix} 70 \\ 0 \\ -0.01 \end{matrix} \right]$
 $\phi 2.7559^{+0.0000}_{-0.0005}$



6X M3X0.5 - 6H

$\left[\begin{matrix} 25 \\ 0 \\ +0.013 \end{matrix} \right]$
 $\phi .9843^{+0.0005}_{-0.0000}$

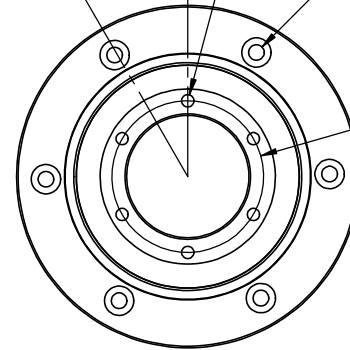
$\left[\begin{matrix} 58 \end{matrix} \right]$
 $\phi 2.283 \text{ B.C}$

$\left[\begin{matrix} 15 \\ .591 \end{matrix} \right]$



$\left[\begin{matrix} 14 \\ .551 \end{matrix} \right]$

6X ϕ M3X0.5 - 6H
 30° TYP



6X C' Bore M3

$\left[\begin{matrix} 31 \end{matrix} \right]$
 $\phi 1.220 \text{ B.C}$

PROPRIETARY AND CONFIDENTIAL
 THE INFORMATION CONTAINED IN THIS DRAWING IS THE SOLE PROPERTY OF <INSERT COMPANY NAME HERE>. ANY REPRODUCTION IN PART OR AS A WHOLE WITHOUT THE WRITTEN PERMISSION OF <INSERT COMPANY NAME HERE> IS PROHIBITED.

UNLESS OTHERWISE SPECIFIED:		NAME	DATE
DIMENSIONS ARE IN INCHES		DRAWN	
TOLERANCES:		CHECKED	
FRACTIONAL \pm		ENG APPR.	
ANGULAR: MACH \pm BEND \pm		MFG APPR.	
TWO PLACE DECIMAL \pm		Q.A.	
THREE PLACE DECIMAL \pm		COMMENTS:	
INTERPRET GEOMETRIC TOLERANCING PER:			
MATERIAL:			
FINISH:			
NEXT ASSY	USED ON		
APPLICATION	DO NOT SCALE DRAWING		



TITLE:
 25mm
 Tapered Roller Air Bearing

SIZE B	DWG. NO. OAV-TPR025M	REV
SCALE: 1:1	WEIGHT:	SHEET 1 OF 1