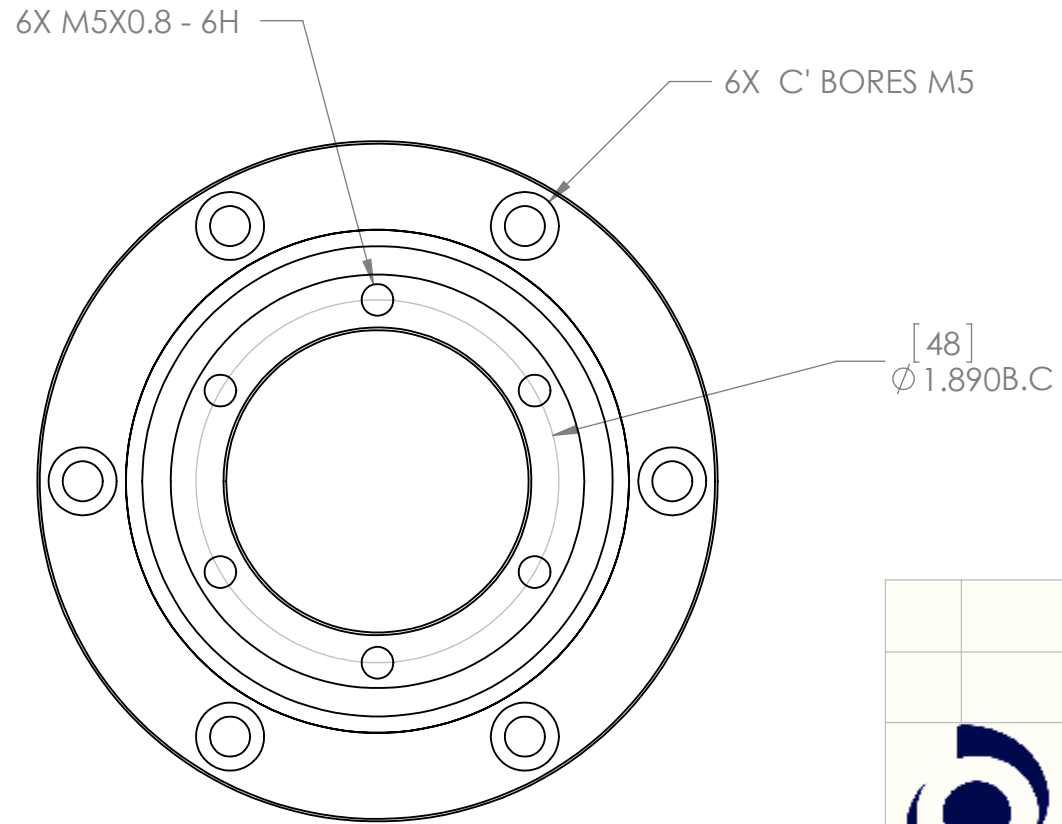
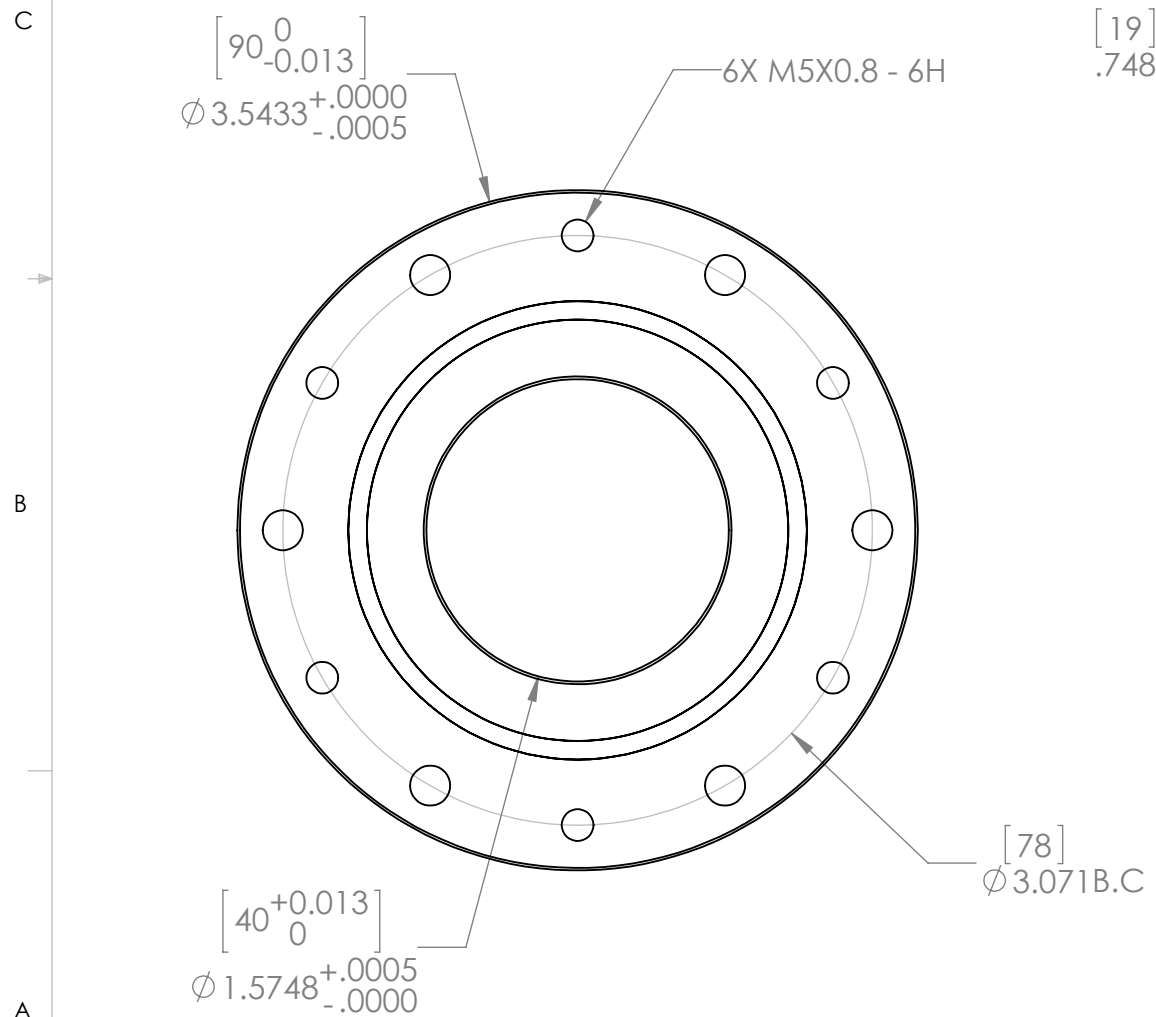
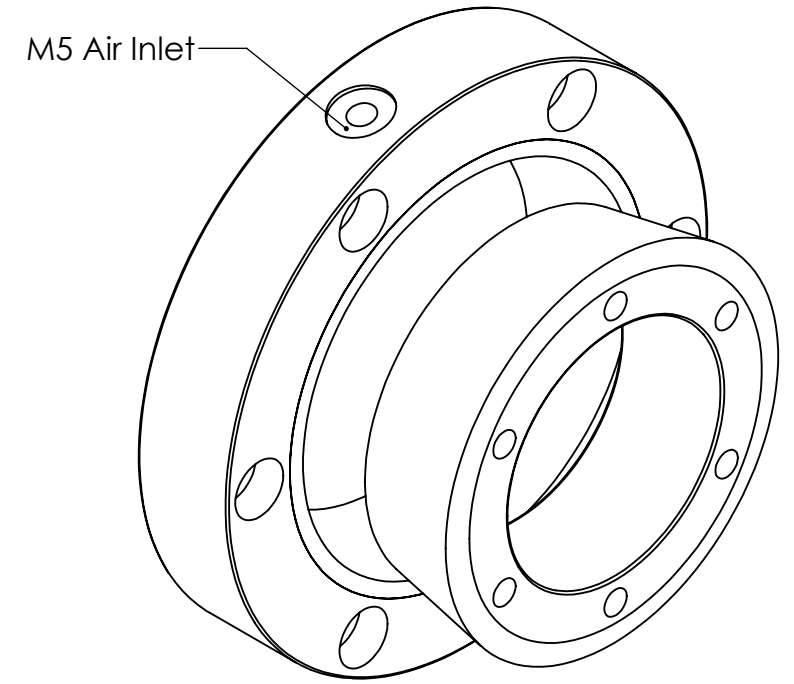


TITLE	Specification
Size	40mm
Part Number	OAV-TPR40M
Housing Material	7075 Aircraft Quality Aluminum/ Hard Anodized
Input Pressure	28 Mpa to 68 Mpa (40 to 100 psi)
Porous Material	Carbon
Pressure Port	M5
Radial Load	116.6lb
Thrust Load	70 lb
Stiffness	72 N/ μ m
Pitch Moment Max	3.1 N-m
Bearing Outside Diameter (OD)	90mm
Bearing Inside Diameter (ID)	40 mm
Bearing Width	19mm
Cage Width	16.8mm
Bearing Weight	.5lb (230 gram)
Flow Rate	9.23 SCFH



PROPRIETARY AND CONFIDENTIAL
 THE INFORMATION CONTAINED IN THIS DRAWING IS THE SOLE PROPERTY OF <INSERT COMPANY NAME HERE>. ANY REPRODUCTION IN PART OR AS A WHOLE WITHOUT THE WRITTEN PERMISSION OF <INSERT COMPANY NAME HERE> IS PROHIBITED.

UNLESS OTHERWISE SPECIFIED:		NAME	DATE
DIMENSIONS ARE IN INCHES		DRAWN	
TOLERANCES:		CHECKED	
FRACTIONAL \pm		ENG APPR.	
ANGULAR: MACH \pm BEND \pm		MFG APPR.	
TWO PLACE DECIMAL \pm		Q.A.	
THREE PLACE DECIMAL \pm		COMMENTS:	
INTERPRET GEOMETRIC TOLERANCING PER:			
MATERIAL			
FINISH			
NEXT ASSY	USED ON		
APPLICATION	DO NOT SCALE DRAWING		



TITLE:
40mm Tapered Roller Air Bearing

SIZE **B** DWG. NO. **OAV-TPR040M** REV

SCALE: 1:1 WEIGHT: SHEET 1 OF 1