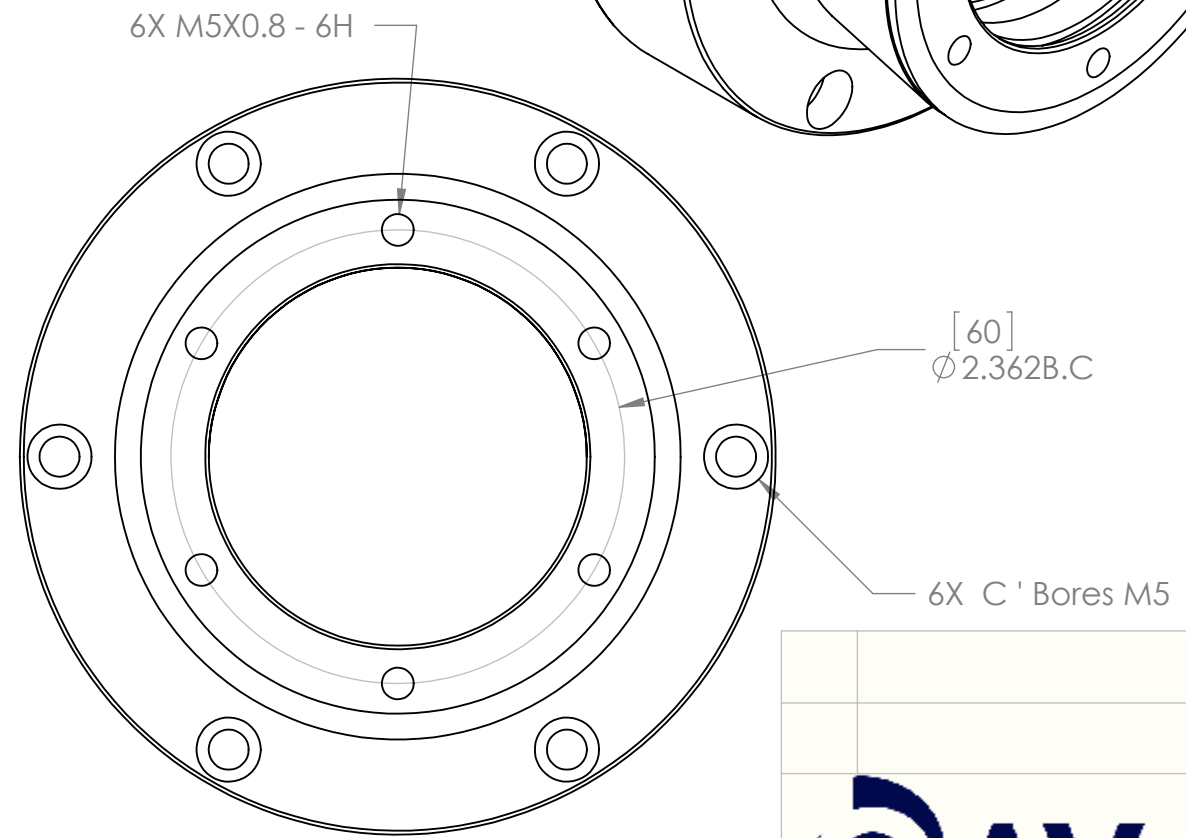
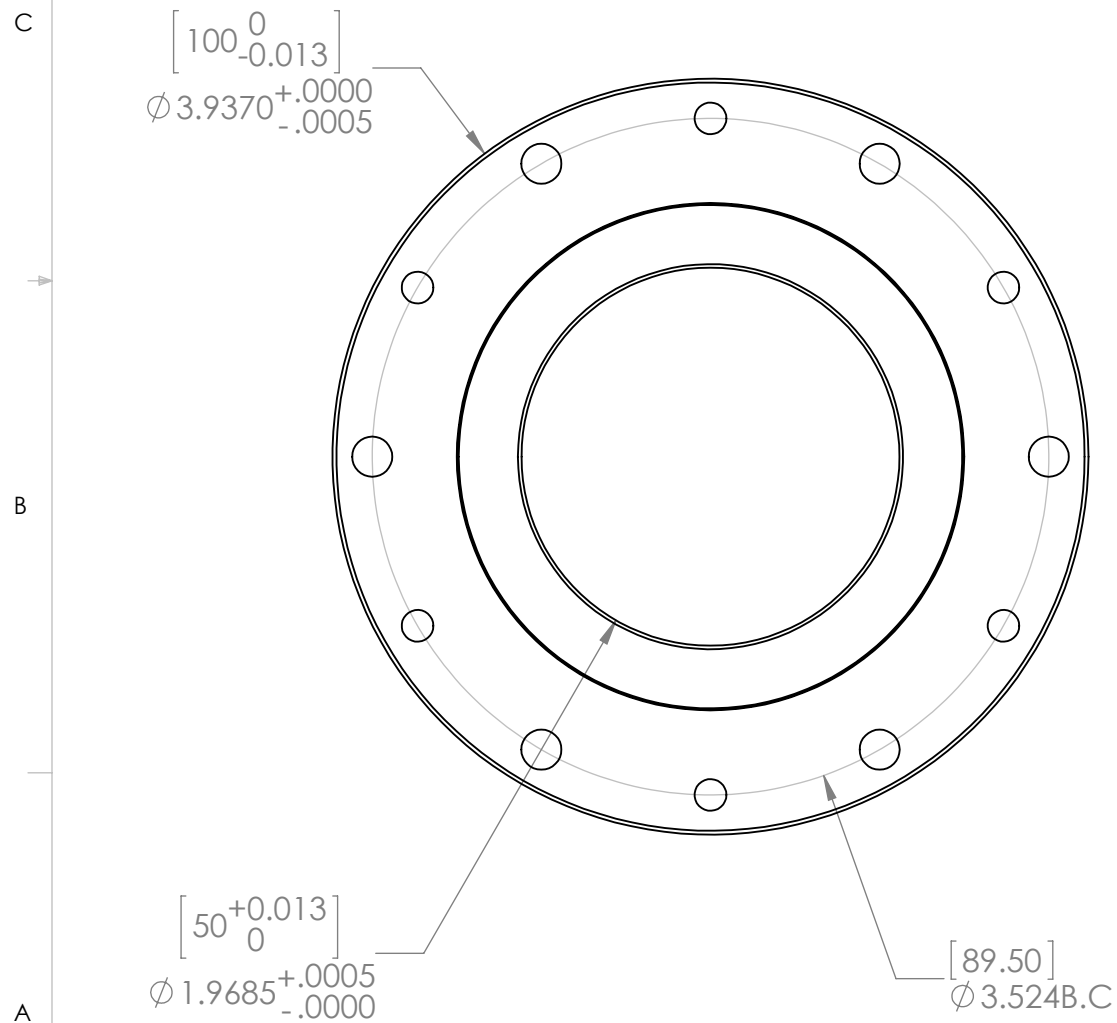
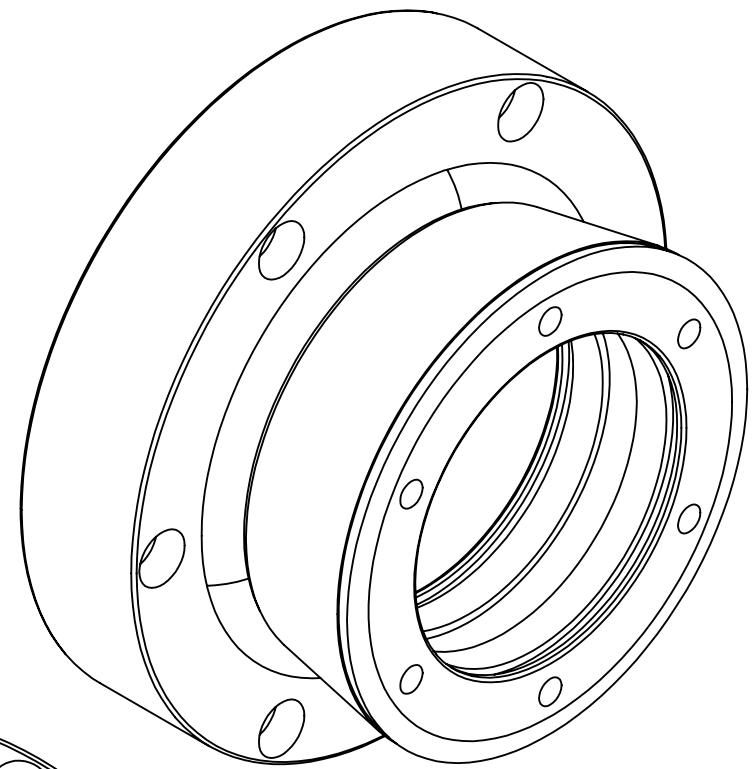


TITLE	Specification
Size	50mm
Part Number	OAV-TPR50MX
Housing Material	7075 Aircraft Quality Aluminum/ Hard Anodized
Input Pressure	28 Mpa to 68 Mpa (40 to 100 psi)
Porous Material	Carbon
Pressure Port	Through Shaft
Radial Load	174.7lb
Thrust Load	104.8 lb
Stiffness	96 N/μ m
Pitch Moment Max	3.7 N-m
Bearing Outside Diameter (OD)	100 mm
Bearing Inside Diameter (ID)	50 mm
Bearing Width	24mm
Cage Width	21.5 mm
Bearing Weight	.74lb (336 gram)
Flow Rate	13.83 SCFH



PROPRIETARY AND CONFIDENTIAL
 THE INFORMATION CONTAINED IN THIS
 DRAWING IS THE SOLE PROPERTY OF
 <INSERT COMPANY NAME HERE>. ANY
 REPRODUCTION IN PART OR AS A WHOLE
 WITHOUT THE WRITTEN PERMISSION OF
 <INSERT COMPANY NAME HERE> IS
 PROHIBITED.

		UNLESS OTHERWISE SPECIFIED:	NAME	DATE
		DIMENSIONS ARE IN INCHES	DRAWN	
		TOLERANCES:	CHECKED	
		FRACTIONAL ±	ENG APPR.	
		ANGULAR: MACH ± BEND ±	MFG APPR.	
		TWO PLACE DECIMAL ±	Q.A.	
		THREE PLACE DECIMAL ±	COMMENTS:	
		INTERPRET GEOMETRIC TOLERANCING PER:		
		MATERIAL		
NEXT ASSY	USED ON	FINISH		
APPLICATION		DO NOT SCALE DRAWING		

AV
 Air Bearing

TITLE:
 50mm X Spin
 Tapered Roller Air Bearing

SIZE	DWG. NO.	REV
B	OAV-TPR050MX	

SCALE: 1:1 WEIGHT: SHEET 1 OF 1