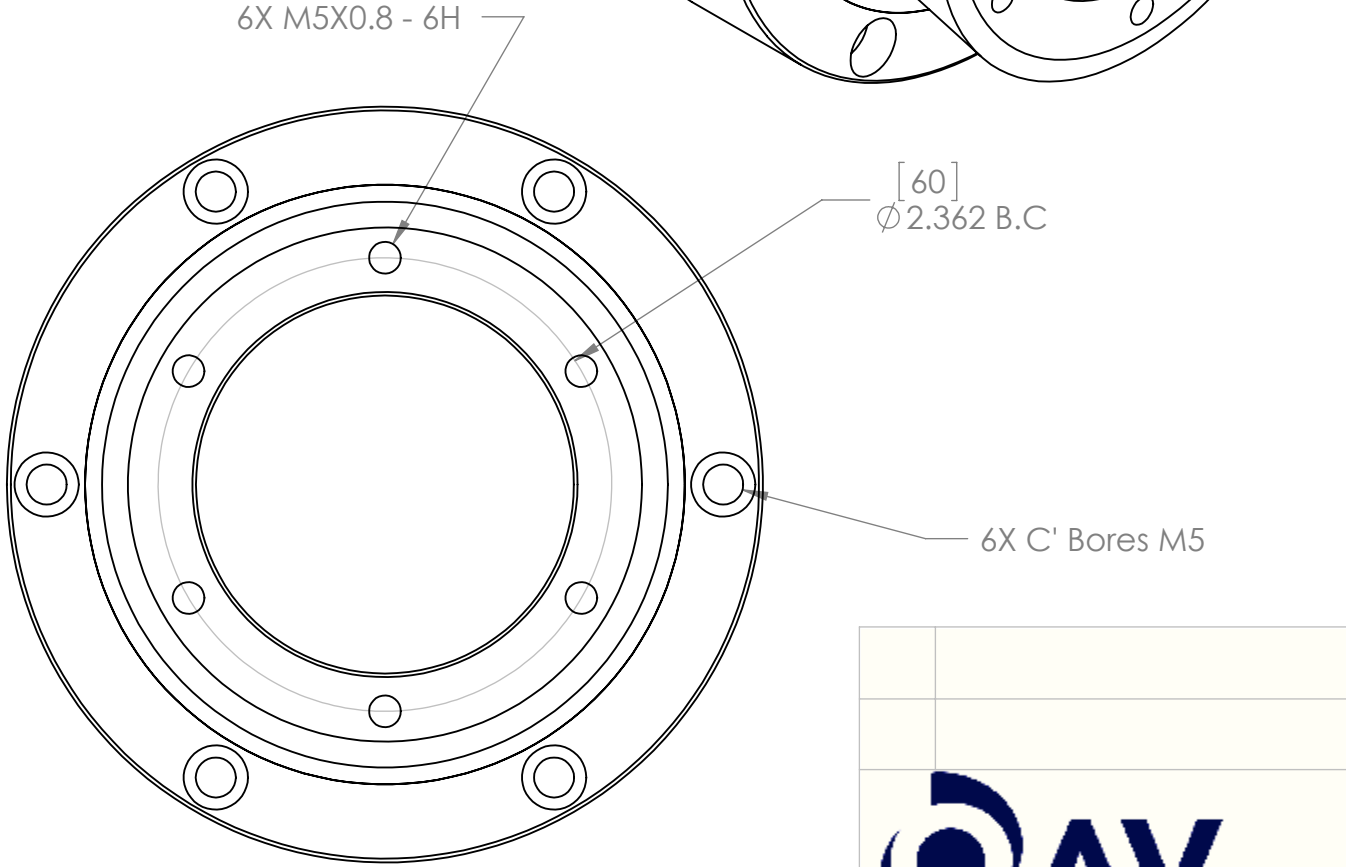
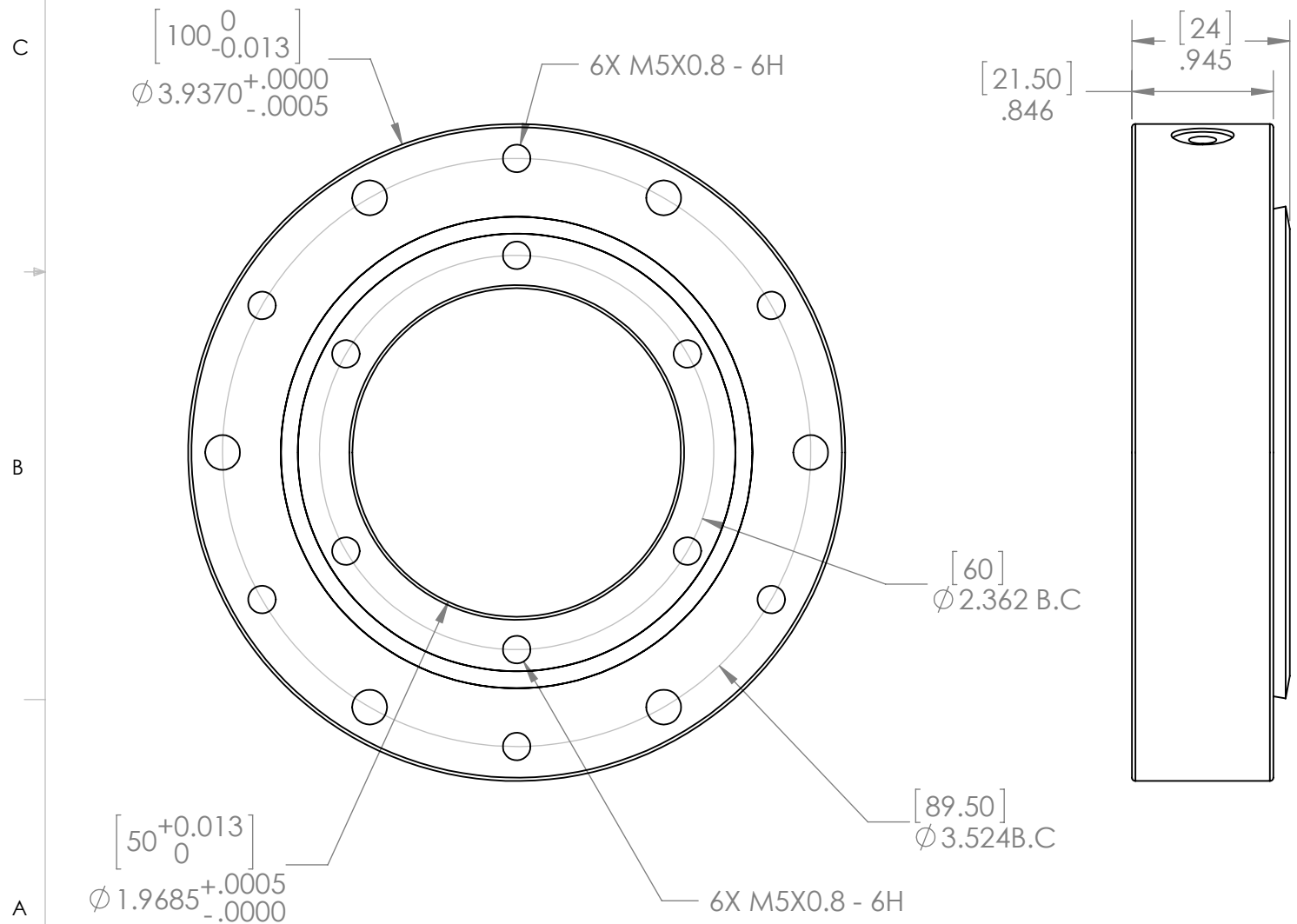
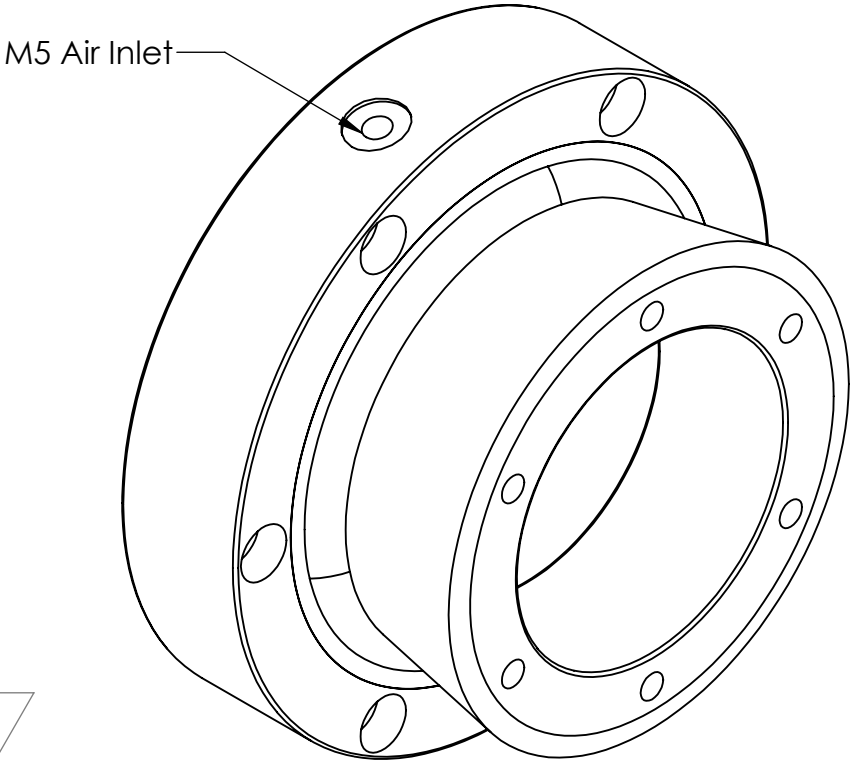


TITLE	Specification
Size	50mm
Part Number	OAV-TPR50M
Housing Material	7075 Aircraft Quality Aluminum/ Hard Anodized
Input Pressure	28 Mpa to 68 Mpa (40 to 100 psi)
Porous Material	Carbon
Pressure Port	M5
Radial Load	179.5lb
Thrust Load	107.7 lb
Stiffness	98 N/μ m
Pitch Moment Max	3.8 N-m
Bearing Outside Diameter (OD)	100 mm
Bearing Inside Diameter (ID)	50 mm
Bearing Width	24mm
Cage Width	21.5 mm
Bearing Weight	.76lb (345 gram)
Flow Rate	14.21 SCFH



PROPRIETARY AND CONFIDENTIAL  
 THE INFORMATION CONTAINED IN THIS DRAWING IS THE SOLE PROPERTY OF <INSERT COMPANY NAME HERE>. ANY REPRODUCTION IN PART OR AS A WHOLE WITHOUT THE WRITTEN PERMISSION OF <INSERT COMPANY NAME HERE> IS PROHIBITED.

UNLESS OTHERWISE SPECIFIED:		NAME	DATE
DIMENSIONS ARE IN INCHES		DRAWN	
TOLERANCES:		CHECKED	
FRACTIONAL ±		ENG APPR.	
ANGULAR: MACH ± BEND ±		MFG APPR.	
TWO PLACE DECIMAL ±		Q.A.	
THREE PLACE DECIMAL ±		COMMENTS:	
INTERPRET GEOMETRIC TOLERANCING PER:			
MATERIAL			
FINISH			
NEXT ASSY	USED ON		
APPLICATION	DO NOT SCALE DRAWING		



TITLE:  
 50mm  
 Tapered Roller Air Bearing

SIZE DWG. NO. REV  
 B OAV-TPR050M

SCALE: 1:1 WEIGHT: SHEET 1 OF 1