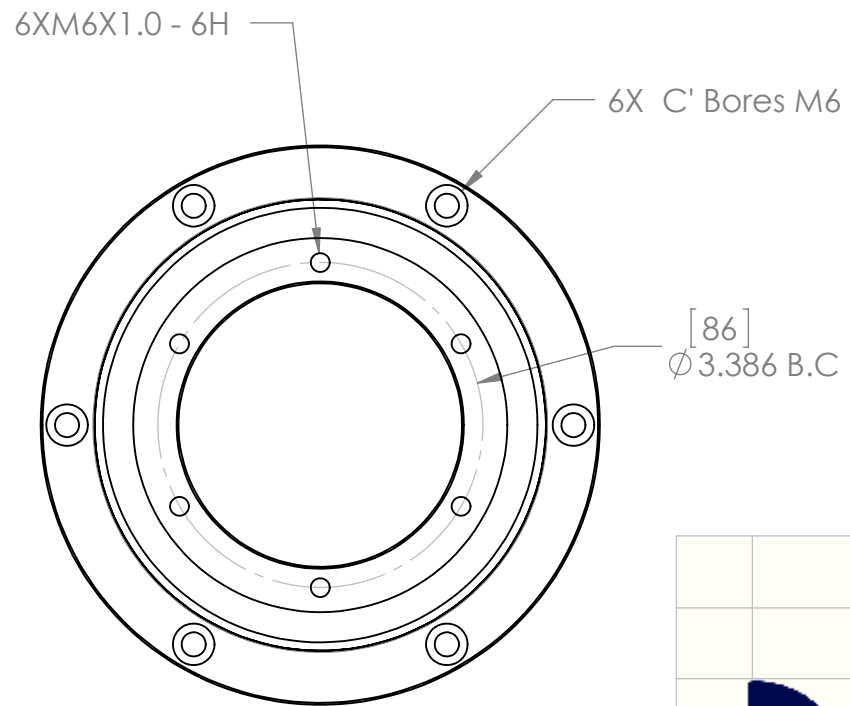
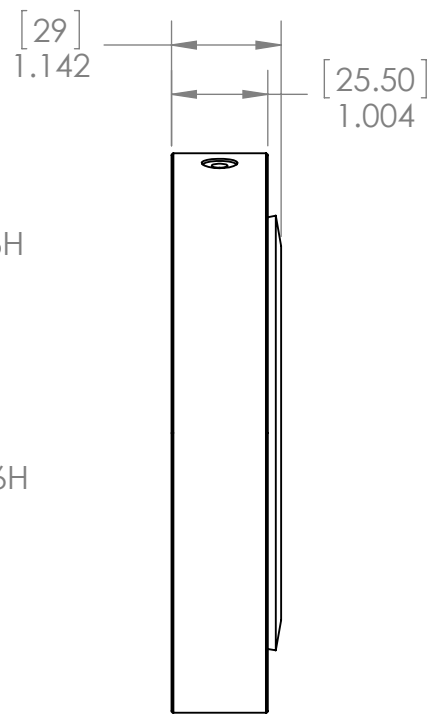
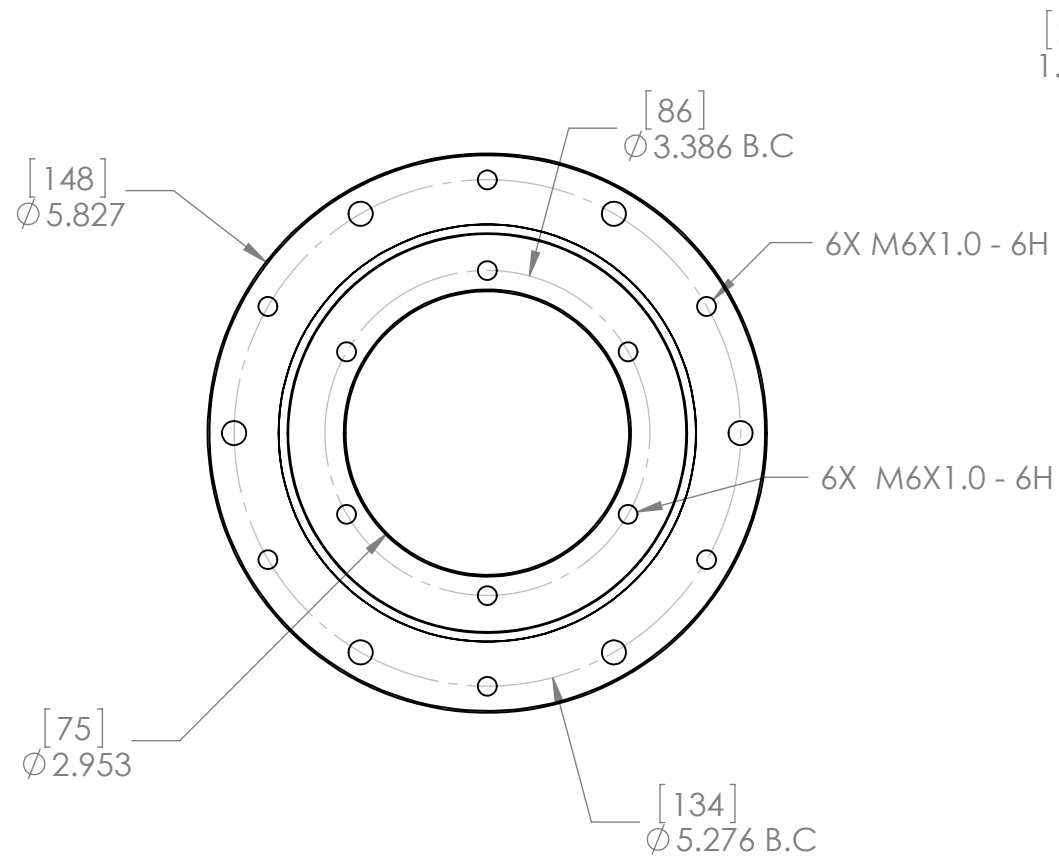
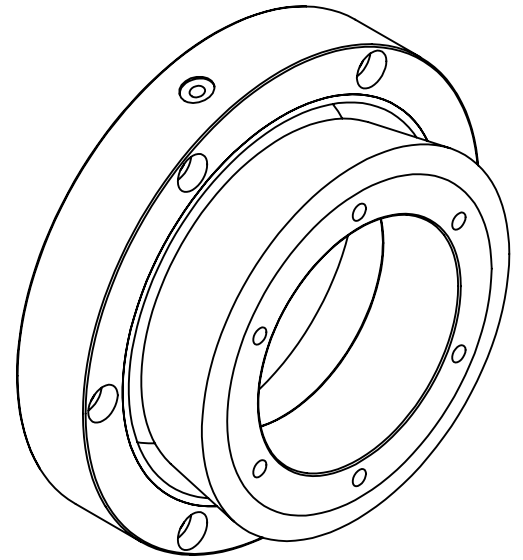


TITLE	Specification
Size	75mm
Part Number	OAV-TPR75M
Housing Material	7075 Aircraft Quality Aluminum/ Hard Anodized
Input Pressure	28 Mpa to 68 Mpa (40 to 100 psi)
Porous Material	Carbon
Pressure Port	M5
Radial Load	333.6lb
Thrust Load	200.1 lb
Stiffness	170 N/ $\mu$ m
Pitch Moment Max	7.1 N-m
Bearing Outside Diameter (OD)	148 mm
Bearing Inside Diameter (ID)	75 mm
Bearing Width	29mm
Cage Width	25.5 mm
Bearing Weight	2.02lb (916 gram)
Flow Rate	26.4 SCFH



PROPRIETARY AND CONFIDENTIAL  
 THE INFORMATION CONTAINED IN THIS  
 DRAWING IS THE SOLE PROPERTY OF  
 <INSERT COMPANY NAME HERE>. ANY  
 REPRODUCTION IN PART OR AS A WHOLE  
 WITHOUT THE WRITTEN PERMISSION OF  
 <INSERT COMPANY NAME HERE> IS  
 PROHIBITED.

		UNLESS OTHERWISE SPECIFIED:	NAME	DATE
		DIMENSIONS ARE IN INCHES	DRAWN	
		TOLERANCES:	CHECKED	
		FRACTIONAL $\pm$	ENG APPR.	
		ANGULAR: MACH $\pm$ BEND $\pm$	MFG APPR.	
		TWO PLACE DECIMAL $\pm$	Q.A.	
		THREE PLACE DECIMAL $\pm$	COMMENTS:	
		INTERPRET GEOMETRIC TOLERANCING PER:		
		MATERIAL		
NEXT ASSY	USED ON	FINISH		
APPLICATION		DO NOT SCALE DRAWING		



TITLE:  
**75mm  
 Tapered Roller Air Bearing**

SIZE	DWG. NO.	REV
<b>B</b>	<b>OAV-TPR075M</b>	

SCALE: 1:2    WEIGHT:    SHEET 1 OF 1