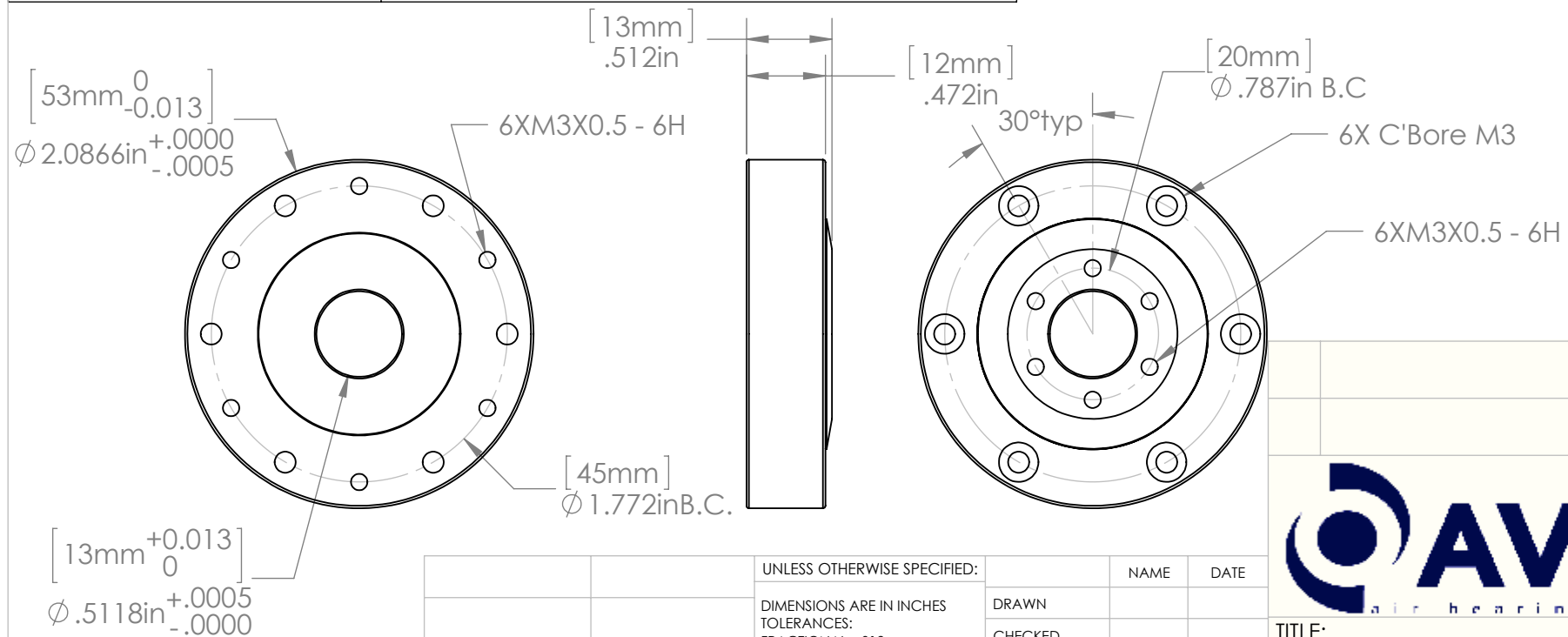
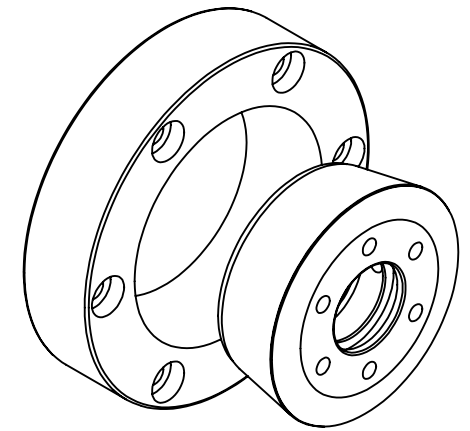



TITLE	Specification
Size	13mm
Part Number	OAV-TPR13MX
Housing Material	7075 Aircraft Quality Aluminum/ Hard Anodized
Input Pressure	28 Mpa to 68 Mpa (40 to 100 psi)
Porous Material	Carbon
Pressure Port	Trough Shaft
Radial Load	43.2lb
Thrust Load	25
Stiffness	21 N/μm
Pitch Moment Max	0.9 N-m)
Bearing Outside Diameter (OD)	53mm
Bearing Inside Diameter (ID)	13mm
Bearing Width	13mm
Cage Width	12mm
Bearing Weight	.13lb (37 gram)
Flow Rate	3.42 SCFH



PROPRIETARY AND CONFIDENTIAL  
 THE INFORMATION CONTAINED IN THIS DRAWING IS THE SOLE PROPERTY OF OAVCO LLC. ANY REPRODUCTION IN PART OR AS A WHOLE WITHOUT THE WRITTEN PERMISSION OF OAVCO LLC IS PROHIBITED.

		UNLESS OTHERWISE SPECIFIED:		NAME	DATE
		DIMENSIONS ARE IN INCHES	DRAWN		
		TOLERANCES:	CHECKED		
		FRACTIONAL ±.012	ENG APPR.		
		ANGULAR: MACH ± BEND ±	MFG APPR.		
		TWO PLACE DECIMAL ±.010	Q.A.		
		THREE PLACE DECIMAL ±.005	COMMENTS:		
		INTERPRET GEOMETRIC TOLERANCING PER:			
		MATERIAL			
		FINISH			
NEXT ASSY	USED ON				
APPLICATION		DO NOT SCALE DRAWING			



TITLE:  
 13mm X Spin  
 Tapered-Roller Air Bearing

SIZE DWG. NO. REV  
 A TPR013MX

SCALE: 1:1 WEIGHT: SHEET 1 OF 1