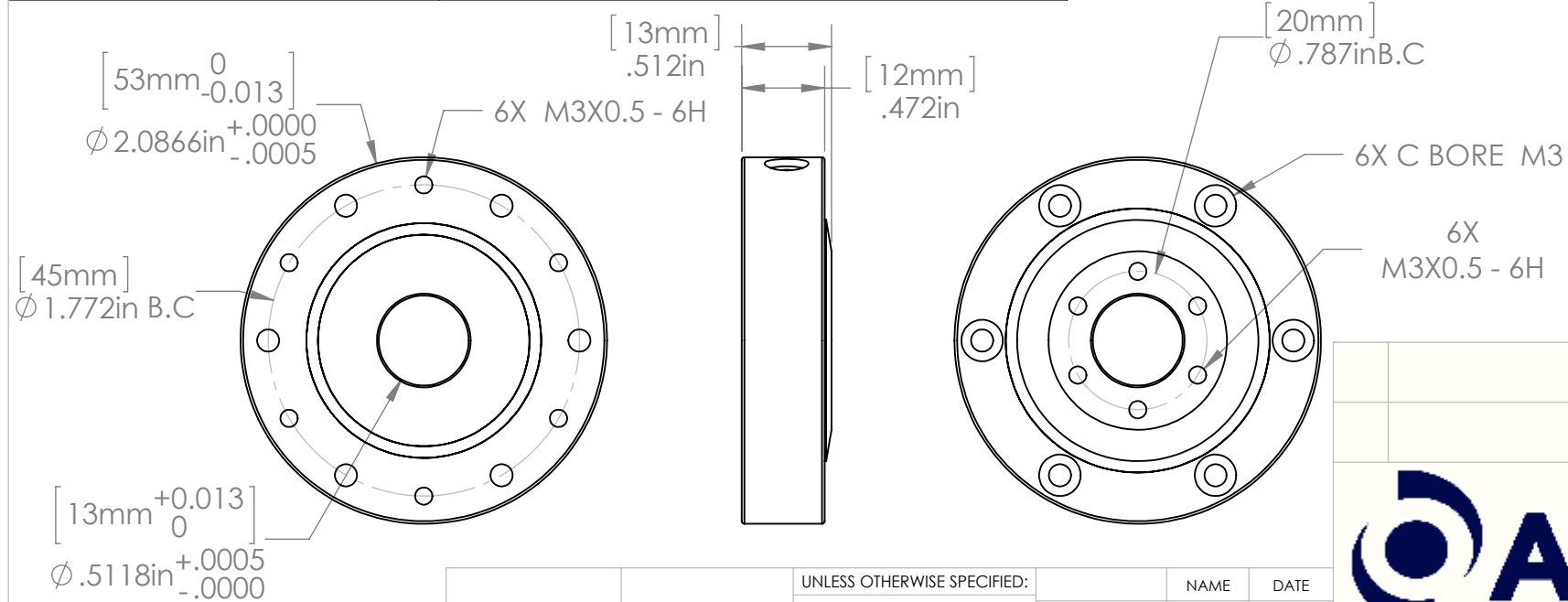
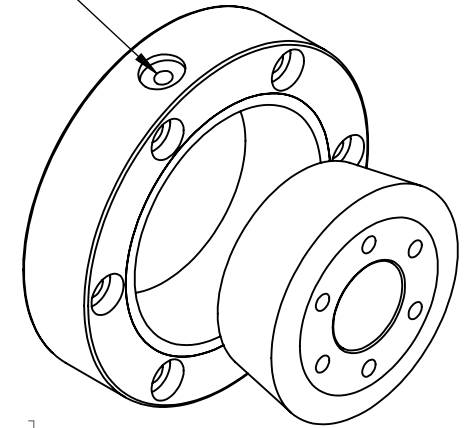


TITLE	Specification
Size	13mm
Part Number	OAV-TPR13M
Housing Material	7075 Aircraft Quality Aluminum/ Hard Anodized
Input Pressure	28 Mpa to 68 Mpa (40 to 100 psi)
Porous Material	Carbon
Pressure Port	M3
Radial Load	46.5 lb
Thrust Load	27.9
Stiffness	24 N/μ m
Pitch Moment Max	1.1 N-m
Bearing Outside Diameter (OD)	53mm
Bearing Inside Diameter (ID)	13mm
Bearing Width	13mm
Cage Width	12mm
Bearing Weight	.148lb (67 gram)
Flow Rate	3.68 SCFH

M3 Air Inlet



PROPRIETARY AND CONFIDENTIAL
 THE INFORMATION CONTAINED IN THIS
 DRAWING IS THE SOLE PROPERTY OF
 OAVCO LLC . ANY
 REPRODUCTION IN PART OR AS A WHOLE
 WITHOUT THE WRITTEN PERMISSION OF
 OAVCO LLC IS PROHIBITED.

UNLESS OTHERWISE SPECIFIED:		NAME	DATE
DIMENSIONS ARE IN INCHES TOLERANCES: FRACTIONAL $\pm .012$ ANGULAR: MACH \pm BEND \pm TWO PLACE DECIMAL $\pm .010$ THREE PLACE DECIMAL $\pm .005$		DRAWN	
INTERPRET GEOMETRIC TOLERANCING PER:		CHECKED	
MATERIAL		ENG APPR.	
FINISH		MFG APPR.	
NEXT ASSY		Q.A.	
USED ON		COMMENTS:	
APPLICATION		DO NOT SCALE DRAWING	



TITLE:		
13MM Tapered-Roller Air Bearing		
SIZE	DWG. NO.	REV
A	TPR013M	
SCALE: 1:1	WEIGHT:	SHEET 1 OF 1