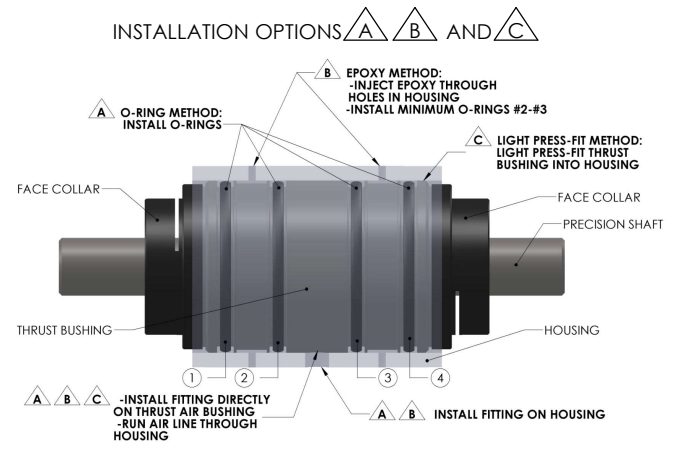
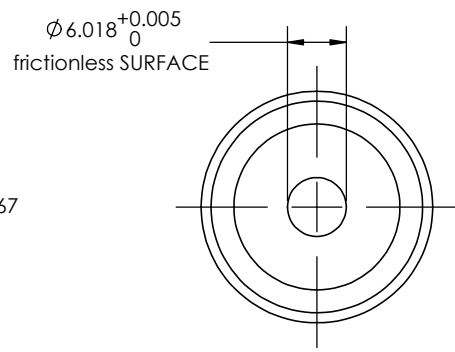
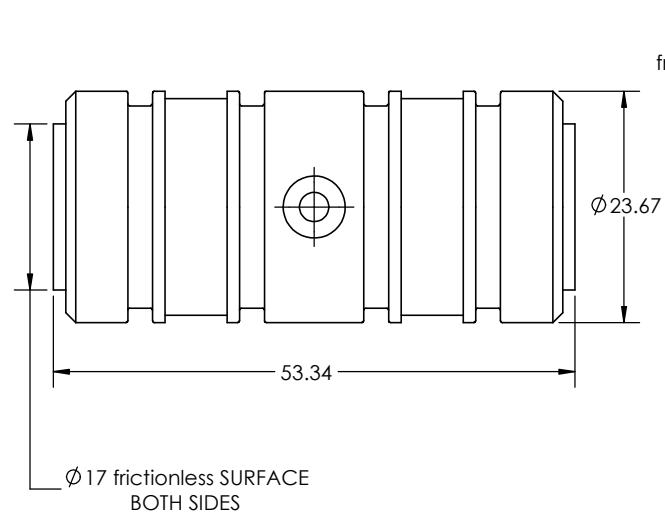


Title	Specification
Size	6mm ID
Part Number	OAVTB24i06
Housing Material/Finish	7075 Aircraft Quality Aluminum
Input Pressure	60 psi - 100 max psi
Porous Material	Carbon
Pressure Port Threads	M3x0.5
Lifetime	infinite
Radial Load Capacity	4.7 lb (20.9 N)
Thrust Load Capacity	6.4 lb (28.4 N)
Radial Stiffness	.027 lbs/μ in (5.1 N/μ m)
Pitch Moment Max	3.6 lbs-in (.4 N-m)
Bushing Inside Diameter (ID)	6.018 +.005/-0.000
Bushing Outside Diameter (OD)	23.67 mm + .13/-0.00
Bushing Length	53.34mm (2.100")
Bushing Weight	30.8 grams
Recommended Shaft Outside Diameter (OD)	6.000mm+.000/-0.018
Flow Rate	2.9 SCFH



PROPRIETARY AND CONFIDENTIAL
THE INFORMATION CONTAINED IN THIS DRAWING IS THE SOLE PROPERTY OF OAVCO LLC. ANY REPRODUCTION IN PART OR AS A WHOLE WITHOUT THE WRITTEN PERMISSION OF OAVCO LLC IS PROHIBITED.

		UNLESS OTHERWISE SPECIFIED:	NAME	DATE		
		DIMENSIONS ARE IN MILLIMETERS	DRAWN			TITLE:
		TOLERANCES:	CHECKED			6MM 3-WAY THRUST BUSHING
		FRACTIONAL: ±	ENG APPR.			SIZE B
		ANGULAR: MACH ± BEND ±	MFG APPR.			DWG. NO. OAVTB24i06
		TWO PLACE DECIMAL ±	Q.A.		REV A	
		THREE PLACE DECIMAL ±	COMMENTS:		SCALE: 2:1	
INTERPRET GEOMETRIC TOLERANCING PER:					WEIGHT:	
MATERIAL:					SHEET 1 OF 1	
FINISH:						
NEXT ASSY	USED ON	DO NOT SCALE DRAWING				
APPLICATION						