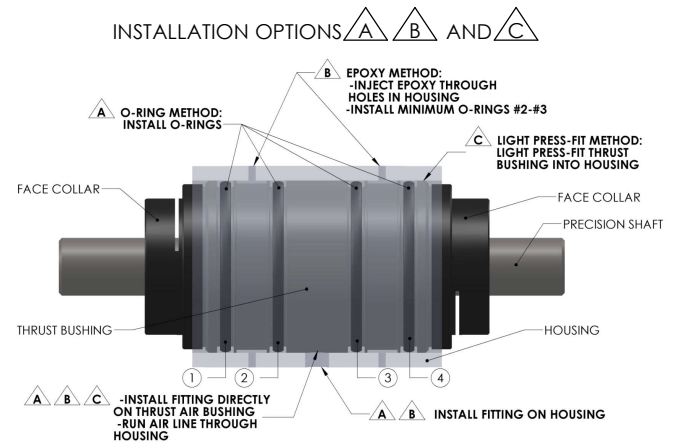
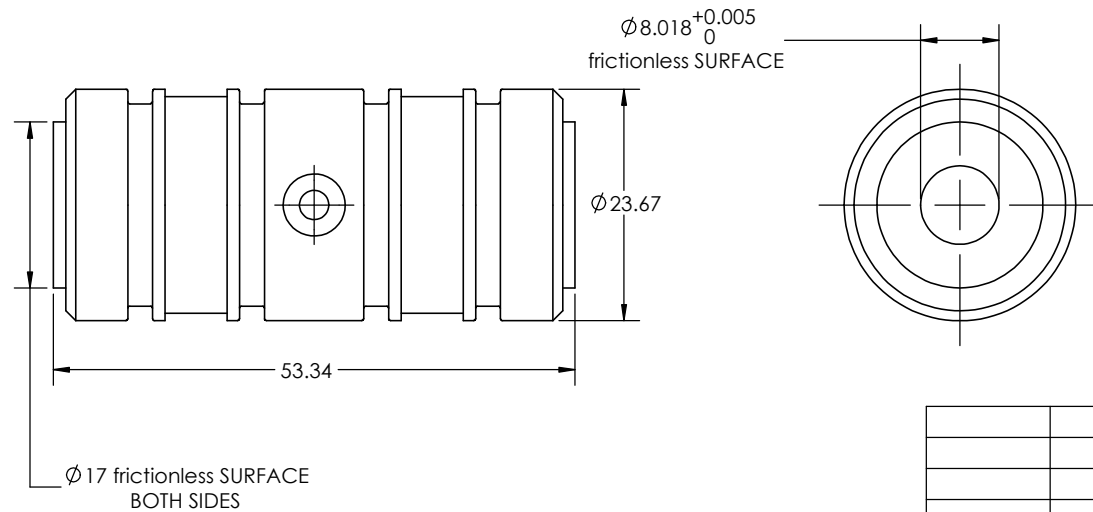


Title	Specification
Size	8mm ID
Part Number	OAVTB24i08
Housing Material/Finish	7075 Aircraft Quality Aluminum
Input Pressure	60 psi - 100 max psi
Porous Material	Carbon
Pressure Port Threads	M3x0.5
Lifetime	infinite
Radial Load Capacity	7.4 lb(32.6 N)
Thrust Load Capacity	5.7 lb (25.4 N)
Radial Stiffness	.043 lbs/μ in (8 N/μ m)
Pitch Moment Max	4.6 lbs-in (.5 N-m)
Bushing Inside Diameter (ID)	8.018 +.005/-0.000
Bushing Outside Diameter (OD)	23.67 mm + .13/-0.00
Bushing Length	53.34mm (2.100")
Bushing Weight	30.8 grams
Recommended Shaft Outside Diameter (OD)	8.000mm+.000/-0.018
Flow Rate	2.9 SCFH



PROPRIETARY AND CONFIDENTIAL
 THE INFORMATION CONTAINED IN THIS DRAWING IS THE SOLE PROPERTY OF OAVCO LLC. ANY REPRODUCTION IN PART OR AS A WHOLE WITHOUT THE WRITTEN PERMISSION OF OAVCO LLC IS PROHIBITED.

UNLESS OTHERWISE SPECIFIED:		NAME	DATE	
DIMENSIONS ARE IN MILLIMETERS		DRAWN		
TOLERANCES:		CHECKED		TITLE:
FRACTIONAL: ±		ENG APPR.		8MM 3-WAY THRUST BUSHING
ANGULAR: MACH ± BEND ±		MFG APPR.		Q.A.
TWO PLACE DECIMAL ±		COMMENTS:		SCALE: 2:1
THREE PLACE DECIMAL ±				WEIGHT:
INTERPRET GEOMETRIC TOLERANCING PER:				SHEET 1 OF 1
MATERIAL:				
FINISH:				
NEXT ASSY	USED ON			
APPLICATION				
DO NOT SCALE DRAWING				

SIZE	DWG. NO.	REV
B	OAVTB24i08	A