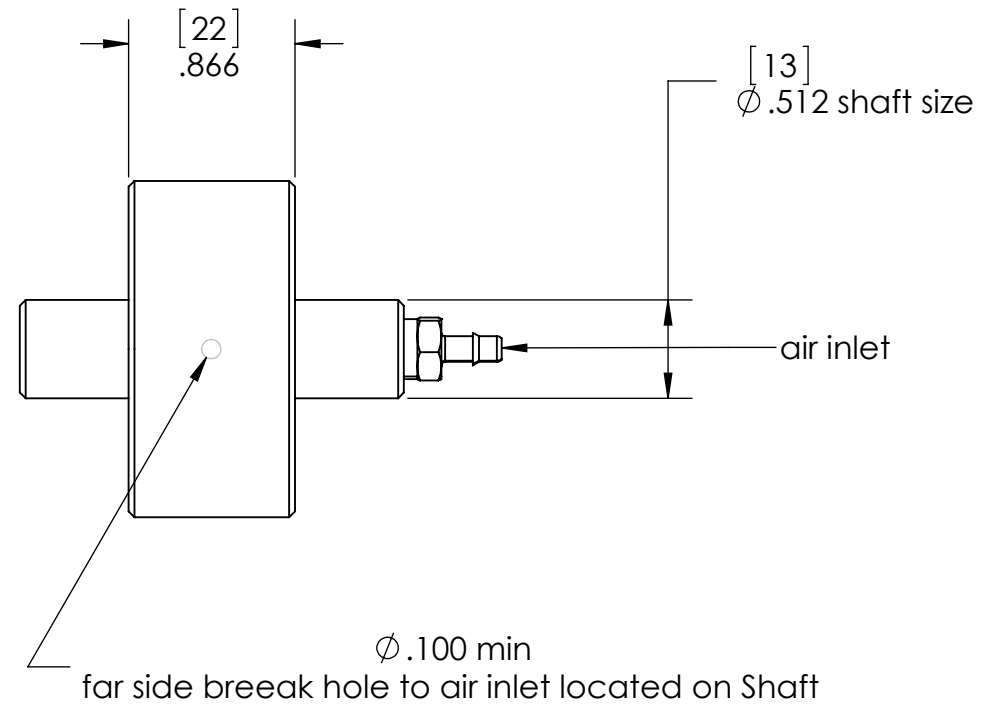
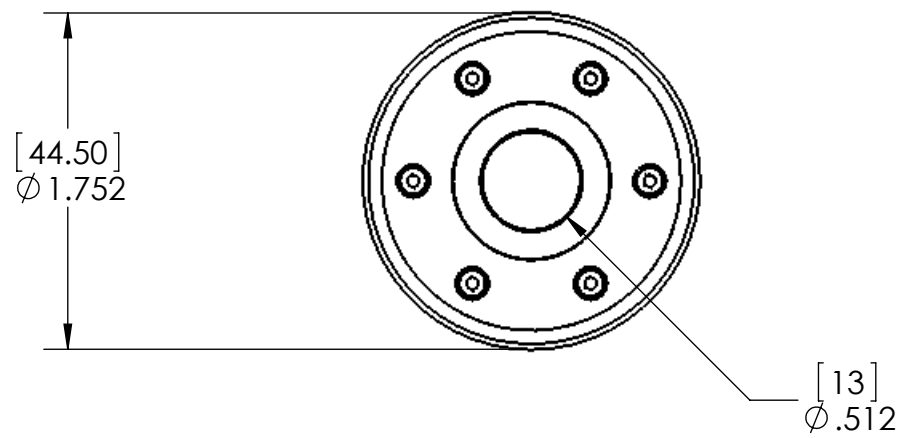
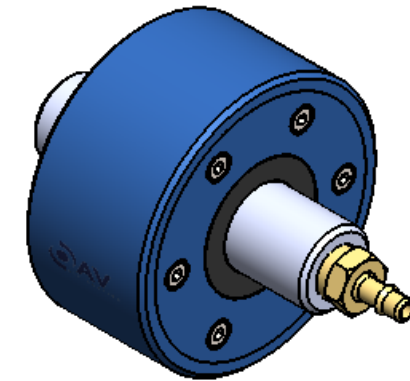


Title	Specification
Size	13mm ID
Part Number	OAVRL75MX
Housing Material/Finish	Aircraft Quality Aluminum
Input Pressure	20 psi - 100 max psi
Porous Material	OAV Carbon Graphite
Pressure Port Threads	TBD
Radial Load Capacity	13 lbs (57N)
Thrust Load	30lbs(133.5N)
Radial Stiffness	11 N/ $\mu$ m (0.06lbs/ $\mu$ in)
Bearing Inside Diameter (ID)	13mm
Bearing Outside Diameter (OD)	44.5mm $\pm$ .01mm
Bearing Length	22 mm
Bearing Weight	.15lb
Shaft Diamater	13mm $\pm$ .01/.00



**PROPRIETARY AND CONFIDENTIAL**  
THE INFORMATION CONTAINED IN THIS DRAWING IS THE SOLE PROPERTY OF <INSERT COMPANY NAME HERE>. ANY REPRODUCTION IN PART OR AS A WHOLE WITHOUT THE WRITTEN PERMISSION OF <INSERT COMPANY NAME HERE> IS PROHIBITED.

UNLESS OTHERWISE SPECIFIED:	NAME	DATE
DIMENSIONS ARE IN MM	DRAWN	
TOLERANCES:	CHECKED	
FRACTIONAL $\pm$	ENG APPR.	
ANGULAR: MACH $\pm$ BEND $\pm$	MFG APPR.	
TWO PLACE DECIMAL $\pm$	Q.A.	
THREE PLACE DECIMAL $\pm$	COMMENTS:	
INTERPRET GEOMETRIC TOLERANCING PER:		
MATERIAL		
FINISH		
APPLICATION		

REV	Description	DATE
<b>TITLE:</b> X Ring Spin Rotary Air Bearing		
SIZE <b>B</b>	DWG. NO. OAVRL13MX_BSC	REV <b>A</b>
SCALE: 1:1	WEIGHT:	SHEET 1 OF 1