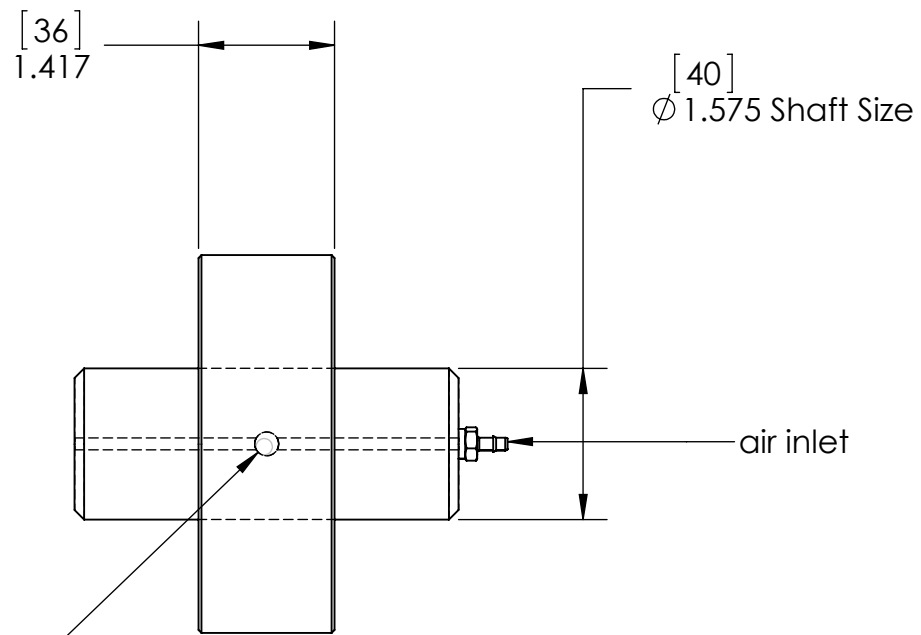
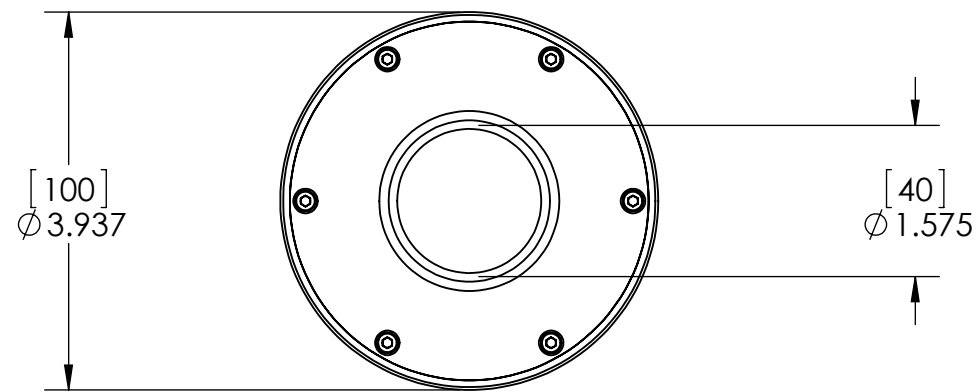
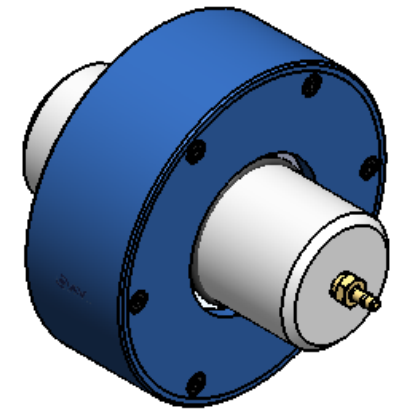


Part Number	OAVRL40MX
Housing Material/Finish	Aircraft Quality Aluminum
Input Pressure	20 psi - 100 max psi
Porous Material	OAV Carbon Graphite
Pressure Port Threads	TBD
Radial Load Capacity	40.1 lbs
Thrust Load	72lbs
Radial Stiffness	68 N/ μ m (0.41 lbs/ μ in)
Bearing Inside Diameter (ID)	40mm
Bearing Outside Diameter (OD)	100mm -.01mm
Bearing Length	36 mm
Bearing Weight	1.14lb
Flow Rate	30.83 SCFH



ϕ .100 min
far side break hole to air inlet located on Shaft

PROPRIETARY AND CONFIDENTIAL
THE INFORMATION CONTAINED IN THIS DRAWING IS THE SOLE PROPERTY OF OAV Air Bearings. ANY REPRODUCTION IN PART OR AS A WHOLE WITHOUT THE WRITTEN PERMISSION OF OAV Air Bearings IS PROHIBITED.

UNLESS OTHERWISE SPECIFIED:		NAME	DATE	TITLE: X Ring Spin Rotary Air Bearing	
DIMENSIONS ARE IN INCHES		DRAWN	AD		SIZE B
TOLERANCES:		CHECKED	MS		
FRACTIONAL \pm		ENG APPR.	ME		REV A
ANGULAR: MACH \pm BEND \pm		MFG APPR.	09/04/18		
TWO PLACE DECIMAL \pm		Q.A.		WEIGHT:	
THREE PLACE DECIMAL \pm		COMMENTS:		SHEET 1 OF 1	
INTERPRET GEOMETRIC TOLERANCING PER:	MATERIAL				
FINISH	DO NOT SCALE DRAWING				
NEXT ASSY	USED ON				
APPLICATION					