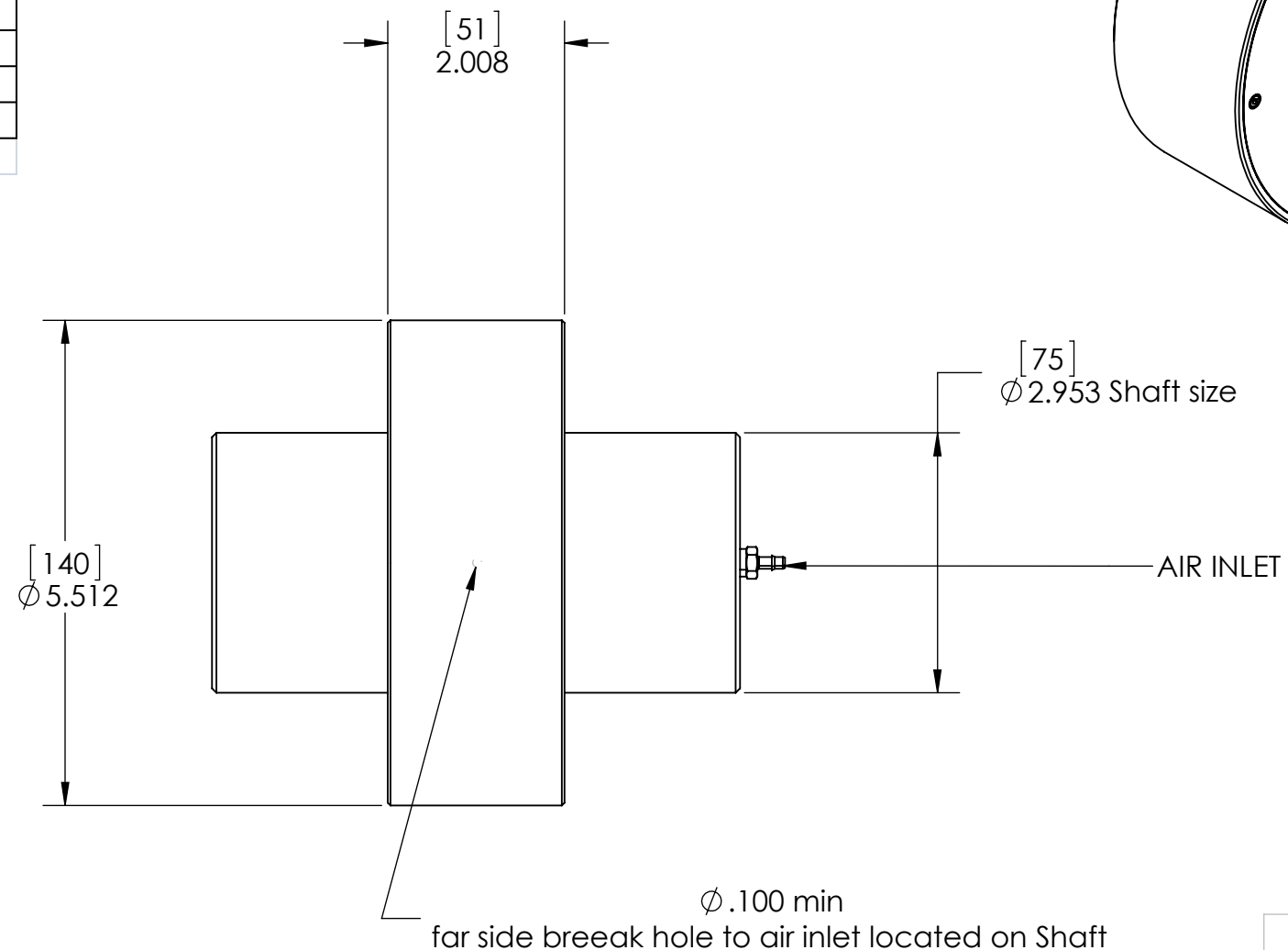
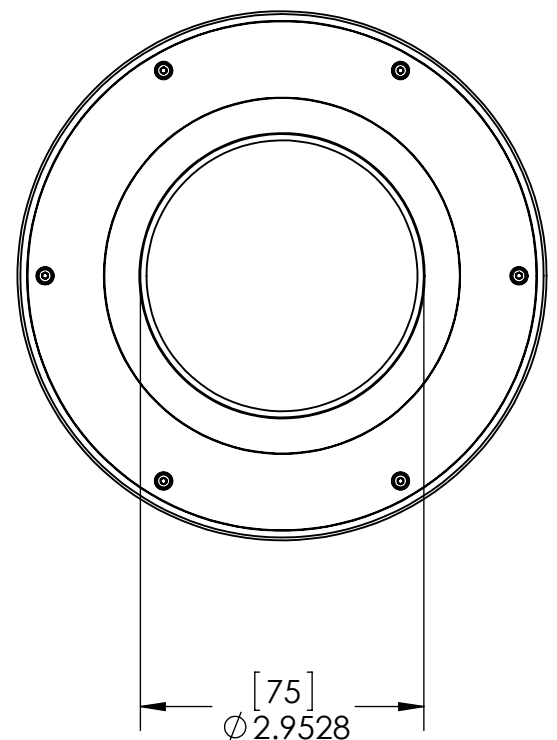
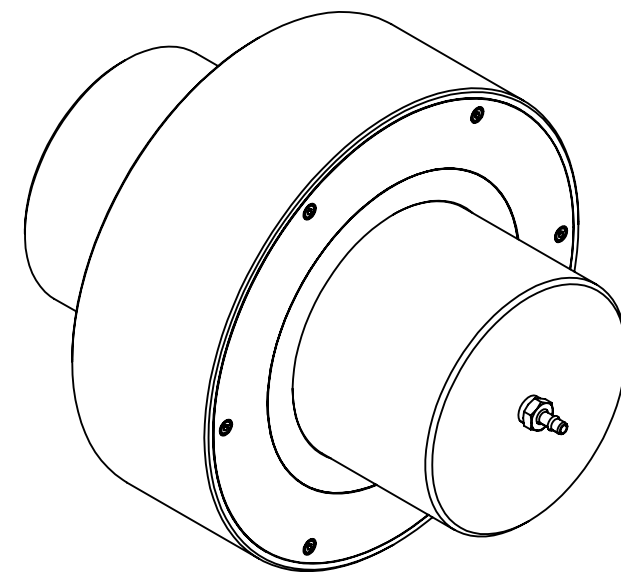


Title	Specification
Size	75mm ID
Part Number	OAVRL75MX
Housing Material/Finish	Aircraft Quality Aluminum
Input Pressure	20 psi - 100 max psi
Porous Material	OAV Carbon Graphite
Pressure Port Threads	TBD
Radial Load Capacity	130 lbs (578.2N)
Thrust Load	280lbs(1245.5N)
Radial Stiffness	159 N/ μ m (0.91 lbs/ μ in)
Bearing Inside Diameter (ID)	75mm
Bearing Outside Diameter (OD)	140mm -.01mm
Bearing Length	51 mm
Bearing Weight	2.2lb
Shaft Diameter	75mm +.01/.00



PROPRIETARY AND CONFIDENTIAL
THE INFORMATION CONTAINED IN THIS DRAWING IS THE SOLE PROPERTY OF <INSERT COMPANY NAME HERE>. ANY REPRODUCTION IN PART OR AS A WHOLE WITHOUT THE WRITTEN PERMISSION OF <INSERT COMPANY NAME HERE> IS PROHIBITED.

UNLESS OTHERWISE SPECIFIED:	
DIMENSIONS ARE IN MM	
TOLERANCES:	
FRACTIONAL \pm	
ANGULAR: MACH \pm	BEND \pm
TWO PLACE DECIMAL \pm	
THREE PLACE DECIMAL \pm	
INTERPRET GEOMETRIC TOLERANCING PER:	
MATERIAL	
FINISH	
APPLICATION	DO NOT SCALE DRAWING

DRAWN	
CHECKED	
ENG APPR.	
MFG APPR.	
Q.A.	
COMMENTS:	

REV	Description	DATE

OAV
OIL AIR VENT

TITLE:
**X Ring Spin
Rotary Air Bearing**

SIZE B	DWG. NO. OAVRL75MX_BSC	REV A
------------------	---------------------------	-----------------

SCALE: 1:2 WEIGHT: SHEET 1 OF 1