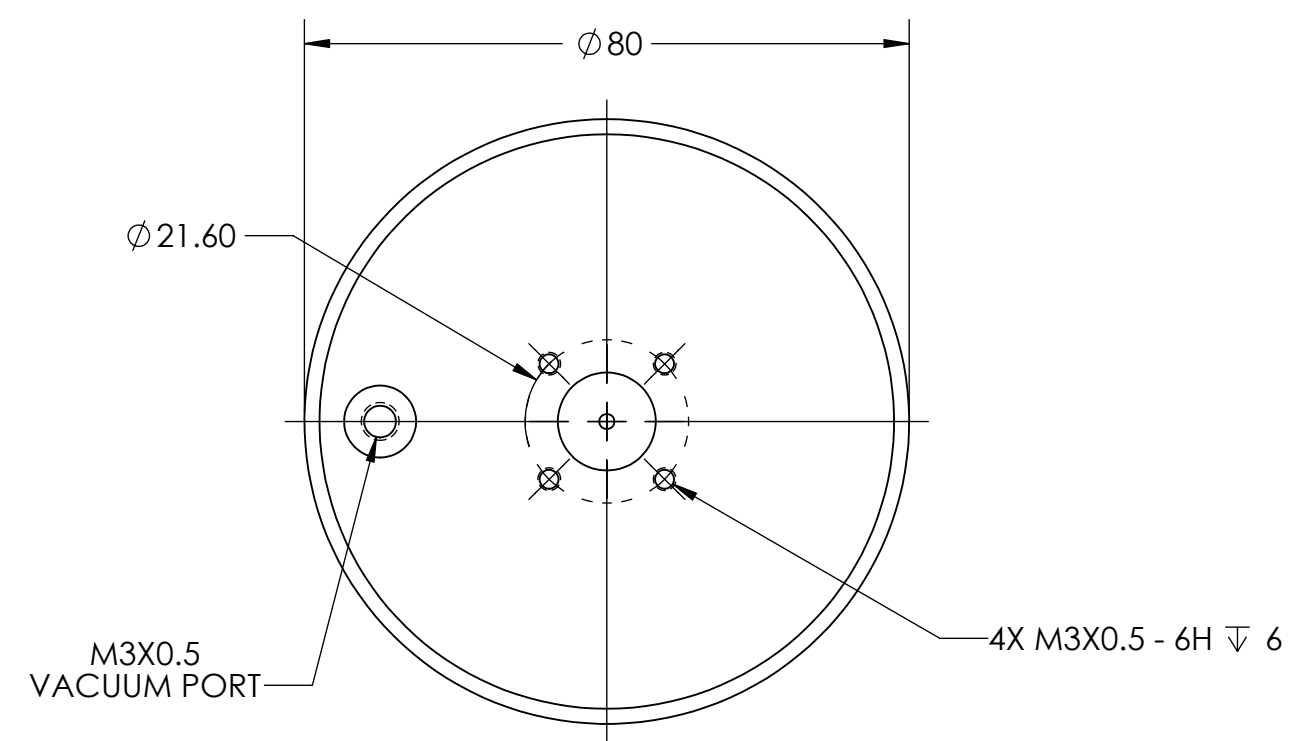
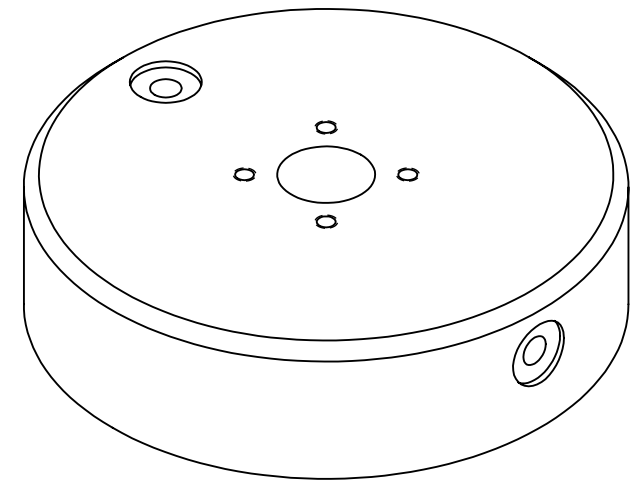
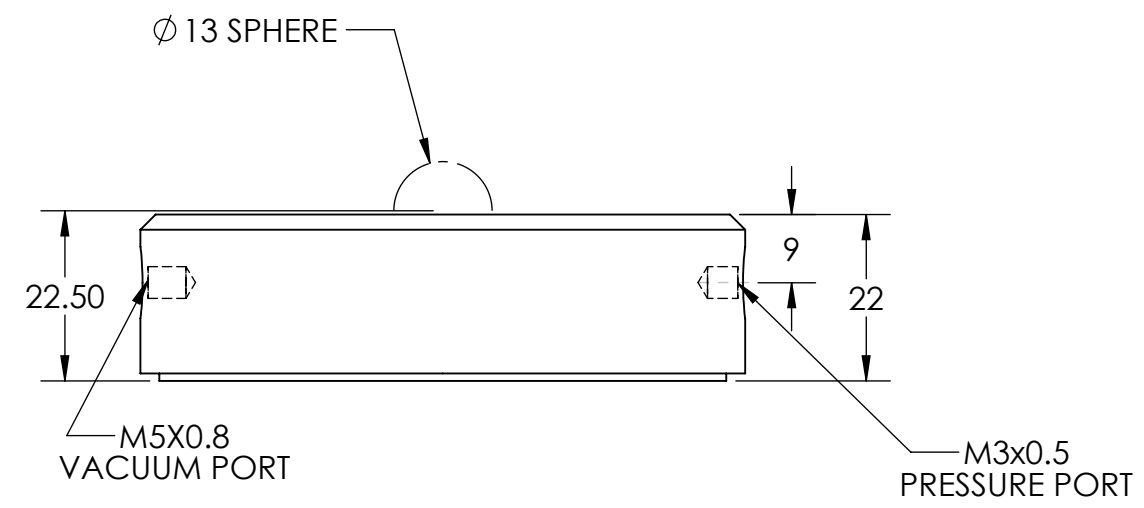


8 7 6 5 4 3 2 1

D
C
B
A

D
C
B
A



PROPRIETARY AND CONFIDENTIAL
 THE INFORMATION CONTAINED IN THIS DRAWING IS THE SOLE PROPERTY OF OAVCO LLC. ANY REPRODUCTION IN PART OR AS A WHOLE WITHOUT THE WRITTEN PERMISSION OF OAVCO LLC IS PROHIBITED.

| | | | | | | | | | |
|-------------|---------|--------------------------------------|--|-----------|--|------|--|------|--|
| | | UNLESS OTHERWISE SPECIFIED: | | | | NAME | | DATE | |
| | | DIMENSIONS ARE IN MILLIMETERS | | DRAWN | | | | | |
| | | TOLERANCES: | | CHECKED | | | | | |
| | | FRACTIONAL ± | | ENG APPR. | | | | | |
| | | ANGULAR: MACH ± BEND ± | | MFG APPR. | | | | | |
| | | TWO PLACE DECIMAL ± | | Q.A. | | | | | |
| | | THREE PLACE DECIMAL ± | | COMMENTS: | | | | | |
| | | INTERPRET GEOMETRIC TOLERANCING PER: | | | | | | | |
| | | MATERIAL ALUMINUM 7075/ CARBON | | | | | | | |
| | | FINISH ANODIZE PER MIL-A-8625 | | | | | | | |
| NEXT ASSY | USED ON | | | | | | | | |
| APPLICATION | | DO NOT SCALE DRAWING | | | | | | | |

| | | |
|---|------------------------------|--------------|
| | | |
| TITLE: VACUUM PRELOADED AIR BEARING, 80MM | | |
| SIZE B | DWG. NO. OAVR080RV | REV |
| SCALE: 1:1 | WEIGHT: | SHEET 1 OF 1 |

8 7 6 5 4 3 2 1