

## Digital Laser Doppler Vibrometer Vector-Series



### HeNe Single-Point Laser Vibrometers

Precise single-point vibrometer in the visible light spectrum. Ideal for all reflecting surfaces, for measurements through water, and for microsystems.

#### IDEAL FOR

- Reflective surfaces
- Small objects
- Measurement through water or glass, etc.



#### MULTI-PURPOSE SOLUTION

The Vector Series uses a classic HeNe laser source with a wavelength of 633 nm and enables the measurement of vibration between 0 and 10 MHz.

Through the use of different optical systems and decoders for velocity, displacement, or acceleration, the Vector units can be customized for the measurement task at hand. The measuring signals are output in digital form via Ethernet and in analog form via BNC connectors with up to 160 Msamples/s.

## Technical Data

### Measured Quantities – Performance Parameters

Max. <sup>2</sup> Frequency	Max. <sup>2</sup> Velocity	Best Vel. <sup>1</sup> Resolution	Max. <sup>2,3</sup> Displacement	Best Disp. <sup>1a</sup> Resolution	Max. <sup>2,3</sup> Acceleration	Accel. <sup>1</sup> Resolution
24 MHz	10 m/s	1.3 nm s <sup>-1</sup> /√Hz	±50 mm	0.05 pm /√Hz	32 Mg	1.8μg /√Hz

<sup>1</sup> The Res. is defined as the signal amp. (rms) that produces 0 dB signal-to-noise ratio (SNR) with 1 Hz spectral res. at 50 % f<sub>max</sub>.

<sup>1a</sup> The Res. is defined as the signal amp. (rms) that produces 0 dB SNR with 1 Hz spectral res..

<sup>2</sup> Actual specifications depend on the configured decoder.

<sup>3</sup> Optional available

### Measurement Specifications

Measured quantities	Velocity, displacement, acceleration
Frequency bandwidth <sup>2</sup>	0 Hz - 24 MHz
Max. velocity <sup>2</sup>	10 m/s
Velocity measurement ranges <sup>2</sup>	14
Signal processing	Digital (FPGA based)
Source impedance	50 Ohm
Analog signal output	3× BNC, ±2 V - Velocity, displacement <sup>3</sup> , acceleration <sup>3</sup> , signal generator <sup>3</sup> - Data rate: 160 MSamples/s @ 16-bit
Digital Signal Output & PC-Interface	1 Gbit RJ45 Ethernet: - Data rate: 1 GBit (53.3 MSamples/s @ 16-bit) - Digital data acquisition- and analysis software <i>OptoGUI</i> - Digital remote control of device settings
External Trigger	Digital external trigger in/out via SMB
Filter	High-pass filter: off / 10 / 20 / 40 / 80 / 160 / 320 / 640 Hz 1.28 / 2.56 / 5 / 10 / 20 / 40 / 80 / 160 kHz Low-pass filter: off / 2.5 / 5 / 10 / 20 / 50 / 100 kHz Tracking filter: off / slow / fast

### Optical Specifications

Working distances	Variable working distance from 5 mm to >100 m
Laser wavelength	632.8 nm, visible, red laser beam
Laser safety class	Output power: <1 mW, class 2, eye safe
Optics	Auto-, remote-, and manual focusing

## General Device Specifications

User interface output	Color screen 3.5" + 20 segment LED bargraph
User interface input	Touch screen, knobs with push-button, key switch (power)
Operating temperature	0 to 40°C
Dimensions	Length × width × height (excluding handle and lens): 380 × 180 × 148 mm
Weight	8 kg + objective lens
Power supply	110 - 240 V AC (50-60Hz) or 12 V DC
Portable Operation	Possible
Portable power supply	12 V DC portable charger <sup>4</sup>
Integrated signal generator <sup>3</sup>	- Produce various preset functions (sin, chirp, gaussian, ...) - Import of arbitrary functions and audio wave-files

## Model Options - Decoders<sup>5,6</sup>

<sup>5</sup>For details see decoder data-sheets. <sup>6</sup>Variations from displayed models available on request.

### Overview Model Options and Characteristics of the default Velocity Decoder<sup>7</sup>

Model (Decoder)	Description	Measuring Ranges <sup>5</sup>	Max. Velocity	Frequency Bandwidth
Start (D-VD-0)	Entry model	7	1 m/s	0 Hz – 25 kHz
Start Speed (D-VD-0-S)	Entry model with extended velocity range	8	2 m/s	0 Hz – 25 kHz
Start High Frequency (D-VD-0-F)	Entry model with extended velocity range and frequency bandwidth	8	2 m/s	0 Hz – 100 kHz
Basis (D-VD-1)	Versatile model with high resolution <sup>8</sup>	8	2 m/s	0 Hz – 500 kHz
Sense (D-VD-2)	Smallest measurement range ± 1 mm/s and highest resolution <sup>9</sup>	11	2 m/s	0 Hz – 1 MHz
High Speed (D-VD-3)	Supports measurements up to highest velocities	11	10 m/s	0 Hz – 2.5 MHz
High Frequency (D-VD-4)	Supports measurements up to highest frequencies	9	5 m/s	0 Hz – 10 MHz
Master (D-VD-5)	The all-rounder: Includes all Sense, High Speed, and High Frequency features	14	10 m/s	0 Hz – 10 MHz
Master+ (D-VD-5-24)	Includes all Master features and has an additional super-high frequency upgrade	14	10 m/s	0 Hz – 24 MHz <sup>10</sup>

<sup>7</sup> All models feature by default a velocity decoder and optionally displacement and acceleration decoders

<sup>8</sup> Best velocity res.:  $6 \text{ nm s}^{-1}/\sqrt{\text{Hz}}$ .

<sup>9</sup> Best velocity res.:  $1.3 \text{ nm s}^{-1}/\sqrt{\text{Hz}}$ .

<sup>10</sup> Velocity limited to 0.5 m/s at frequencies above 10 MHz.

### Characteristics of the optional Displacement Decoder<sup>7</sup>

Decoder	Required Vel.-Decoder	Number Measuring Ranges <sup>5</sup>	Smallest Range <sup>11</sup>	Largest Range	Frequency Bandwidth
D-DD-0	D-VD-0	19	± 50 nm	± 50 mm	0 Hz – 25 kHz
D-DD-0-S	D-VD-0-S	19	± 50 nm	± 50 mm	0 Hz – 25 kHz
D-DD-0-F	D-VD-0-F	19	± 50 nm	± 50 mm	0 Hz – 100 kHz
D-DD-1	D-VD-1	19	± 50 nm	± 50 mm	0 Hz – 500 kHz
D-DD-2	D-VD-2	19	± 50 nm	± 50 mm	0 Hz – 1 MHz
D-DD-3	D-VD-3	19	± 50 nm	± 50 mm	0 Hz – 2.5 MHz
D-DD-4	D-VD-4	19	± 50 nm	± 50 mm	0 Hz – 10 MHz
D-DD-5	D-VD-5	19	± 50 nm	± 50 mm	0 Hz – 10 MHz
D-DD-5-24	D-VD-5-24	19	± 50 nm	± 50 mm	0 Hz – 24 MHz <sup>10</sup>

<sup>11</sup> Best displacement resolution: 0.05 pm.

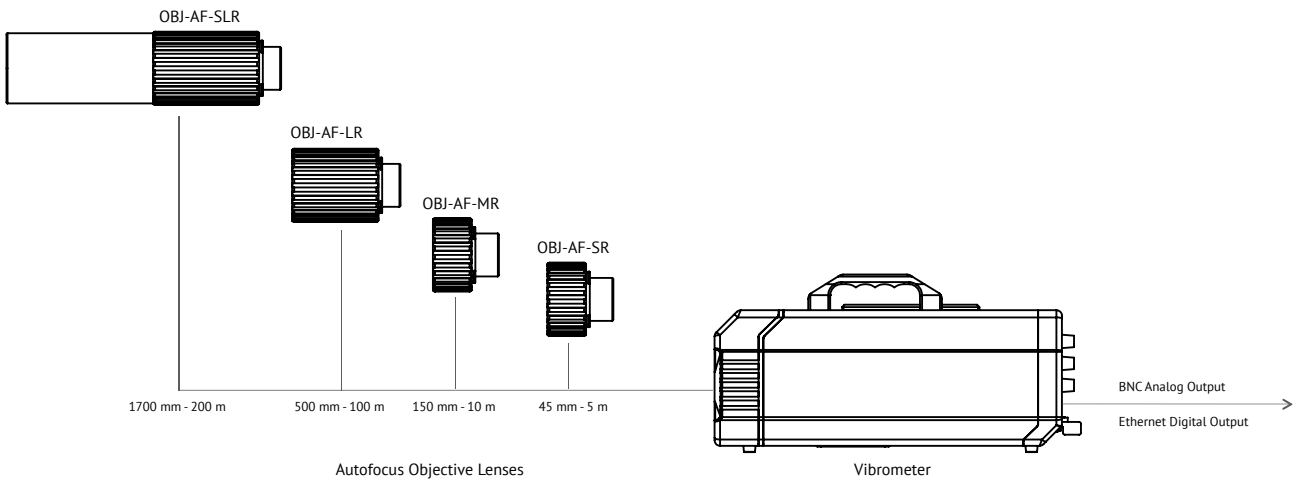
### Characteristics of the optional Acceleration Decoder<sup>7</sup>

Decoder	Required Vel.-Decoder	Number Measuring Ranges <sup>5</sup>	Smallest Range <sup>12</sup>	Largest Range	Frequency Bandwidth
D-AD-0	D-VD-0	7	± 160 g	± 0.016 Mg	0 Hz – 25 kHz
D-AD-0-S	D-VD-0-S	8	± 160 g	± 0.032 Mg	0 Hz – 25 kHz
D-AD-0-F	D-VD-0-F	8	± 160 g	± 0.128 Mg	0 Hz – 100 kHz
D-AD-1	D-VD-1	8	± 160 g	± 0.64 Mg	0 Hz – 500 kHz
D-AD-2	D-VD-2	11	± 1.6 g	± 1.28 Mg	0 Hz – 1 MHz
D-AD-3	D-VD-3	11	± 160 g	± 16 Mg	0 Hz – 2.5 MHz
D-AD-4	D-VD-4	9	± 160 g	± 32 Mg	0 Hz – 10 MHz
D-AD-5	D-VD-5	14	± 1.6 g	± 32 Mg	0 Hz – 10 MHz
D-AD-5-24	D-VD-5-24	14	± 1.6 g	± 32 Mg	0 Hz – 24 MHz <sup>13</sup>

<sup>12</sup> Best acceleration resolution: 1.8µg / √Hz.

<sup>13</sup> Acceleration limited to 7.68 Mg at frequencies above 10 MHz.

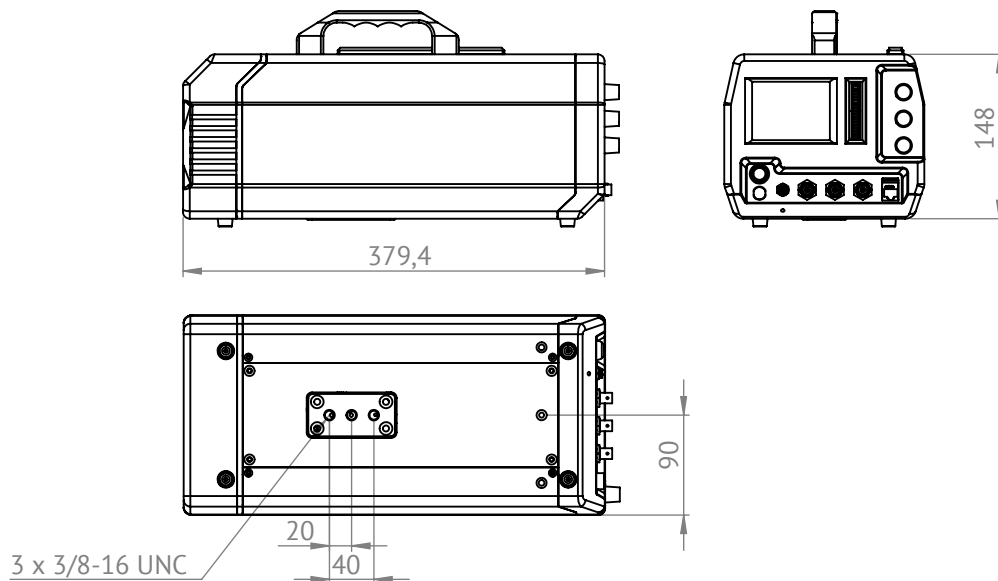
## Set-up



## Objective lens




Specification	Short-Range Autofocus	Mid-Range Autofocus	Long-Range Autofocus	Super-Long Range Autofocus
Focal length (mm)	25	50	100	200
Min. stand-off distance (mm)	45	150	500	1700
Min. Spot size in $\mu\text{m}$	20	25	53	69
Working distance	45 mm ... 5 m	150 mm ... 10 m	500 mm ... 100 m	1.7 m ... 200 m

## Dimension of the Vibrometer




## Accessories

<sup>S</sup> Standard included, <sup>O</sup> Optional available

	<b>Transport Case for Single Point Vibrometer</b> Stable and waterproof <i>Peli</i> case for safe keeping and transport of vibrometer. External dimension (L x B x H): 61.9 x 49.2 x 22.3 cm	S
	<b>Transport Bag</b> Compact und light transport bag for outdoor measurements or transport as carry-on baggage in an plane.	O
	<b>Telescope</b> For measurements from a greater distance, a telescope makes it easier to find the measuring point. The telescope can be easily mounted on the gauge rail at the top of the vibrometer.	O
	<b>Mobile Battery</b> Portable battery charger, external battery power bank. For powering the vibrometer when performing outdoor measurements.	O
	<b>Tripod with Fluid Head</b> Precisely align your vibrometer with high quality tripods by <i>Manfrotto</i> .	O

## Software

	<b>OptoGUI Analysis Software</b> Software for data acquisition, analysis and remote control. Live animation of measured time and frequency data.	O
---	---	---

+

### OptoGUI software includes

Remote control	Remotely control all vibrometer settings via ethernet.	<b>S</b>
Read-out	Read out data via ethernet with up to 80 MS/s	<b>S</b>
Time data	Live animation of measured vel./disp./accel. data	<b>S</b>
Export data	Export time data as .csv, .h5, or .mat files	<b>S</b>
Fourier-Transformation	-Perform the Fast-Fourier-Transformation of the data while measuring -Display the measured time data in the frequency-domain (spectrum) -FFT can be calculated with up to 8 Mio. FFT lines	<b>S</b>
Peak identification	Automatically identify signal peaks in the frequency spectrum	<b>S</b>
Waterfall Chart FFT	Show a live waterfall chart of the FFTs of the ongoing measurements	<b>S</b>
Fourier boundaries	Limit live FFT-calculation to certain time ranges of the time data	<b>S</b>
Signal trigger	Trigger your measurement with the vel., disp., or accel. signal	<b>S</b>
External trigger	Trigger your measurement with an external TTL signal (3.3 V)	<b>O</b>
Multiple traces	Record and recall multiple traces of the vel./disp./accel. time data	<b>S</b>
Arbitrary signal generator	Import file formats: .csv ASCII- or .wav audio files Pre-defined signals: sin, rectangle, chirp, random, ...	<b>S</b>

## Maintenance Specials

### Warranty

Warranty	12 month warranty for all not self-inflicted defects	<b>S</b>
Warranty extension	Extension of standard warranty to 24 months	<b>O</b>

### Software Updates

Software maintenance	Free software updates within warranty period	<b>S</b>
Extended maintenance	Additional extension of software updates by 12+ months	<b>O</b>

### Hardware Maintenance

Hardware Maintenance	Free hardware maintenance within warranty period	<b>S</b>
Extended maintenance	Additional extension of hardware maintenance by 12+ months	<b>O</b>
Recalibration & cleaning	Cleaning & realignment of optical parts, check of laser output power, check integrity of fiber, redo factory calibration	<b>O</b>

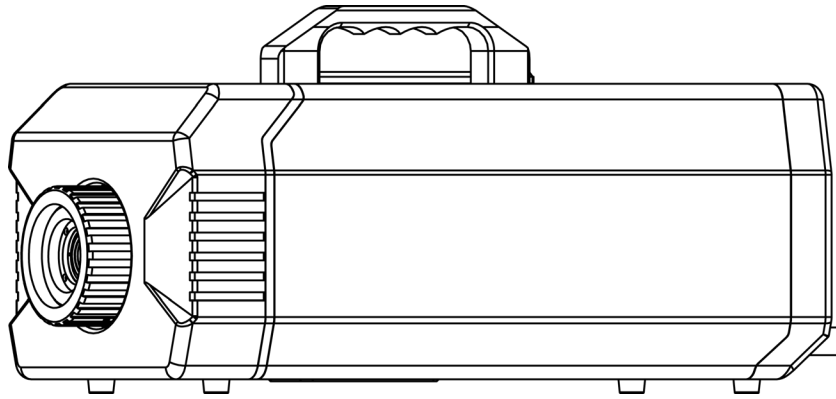
## Laser product label

DO NOT STARE INTO BEAM Class 2 Laser Product  
Laser CLASS 2: visible, red laser beam,  $\lambda=632.8$  nm,  
output power:  $\leq 1$  mW



DIGITAL LASER DOPPLER VIBROMETER

optomet.  
LASER VIBROMETRY



CONTACT US

---

Optomet GmbH | Pfungstaedter Strasse 92  
64297 Darmstadt | Germany  
Phone +49(0)6151-38432-0 | sales@optomet.de  
www.optomet.com