

INSTRUCTIONS INSTALLATION

ARM ASSEMBLY

Read all instructions and review illustrations before installing.

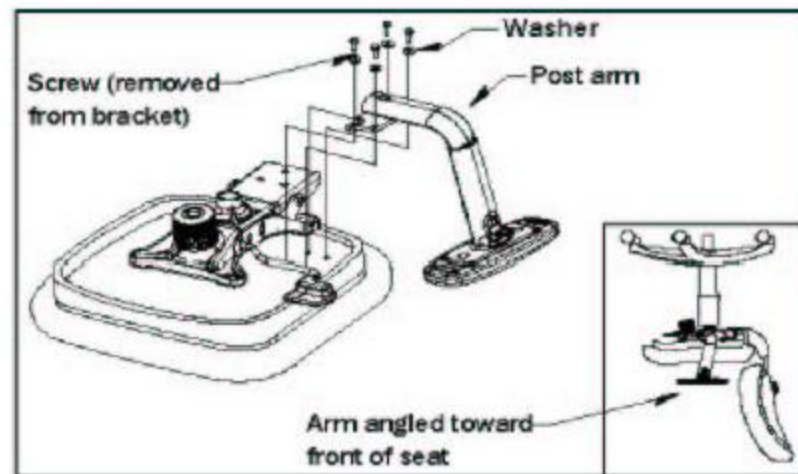
Tools required for assembly:

M•5 Wrench

This assembly includes:

- (1) Right-hand arm assembly*
- (1) Left-hand arm assembly*
- (8) Screw*
- (8) Washer*

Illustration



Post Arm Installation (refer to Illustration):

- 1. Align holes in bottom of post arm with the four holes in bottom of seat. Ensure the post arm slants toward front of seat as shown.*
- 2. Use the M•5 wrench to install four screws with four washers (removed from the bottom of seat) through holes in post arm and into holes in bottom of seat. Tighten screws securely.*
- 3. Repeat Steps 1 and 2 of Post Arm Installation Instructions for remaining post arm.*