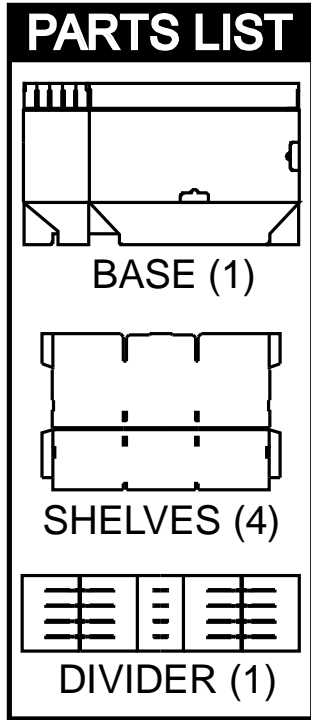


9 X 12 CONSTRUCTION PAPER STORAGE CENTER ASSEMBLY INSTRUCTIONS

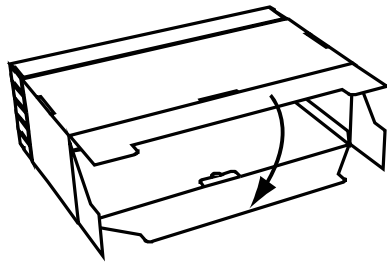
PARTS LIST



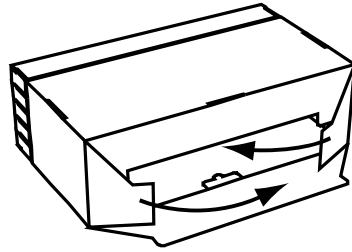
BASE (1)

SHELVES (4)

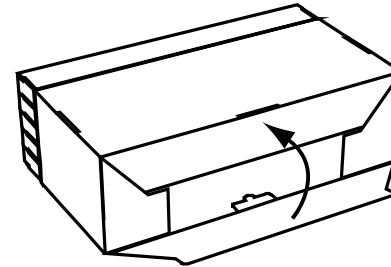
DIVIDER (1)



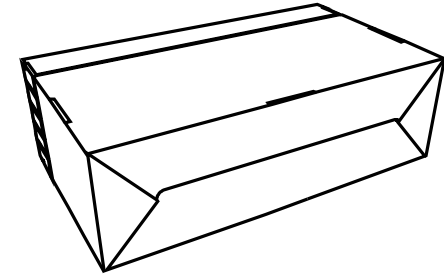
1. Square up the **BASE** with the **BACK** of it facing you. Fold the **TOP FLAP** over.



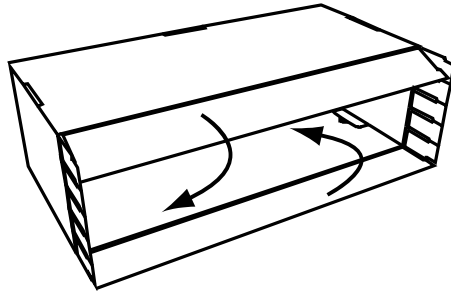
2. Fold the **SIDE FLAPS** over.



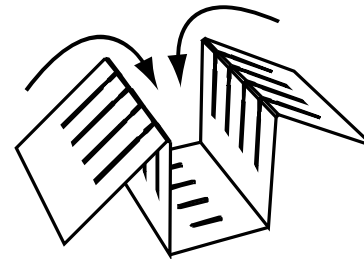
3. Fold the **BOTTOM FLAP** over and tuck it under the **TOP FLAP** to lock it together.



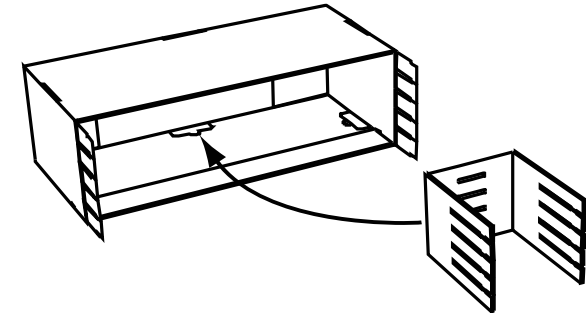
ASSEMBLED BACK OF THE BASE



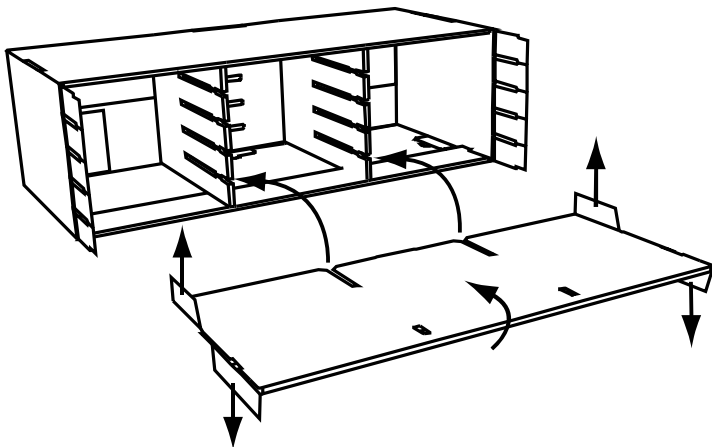
4. Fold inward the **TOP & BOTTOM FLAP**.



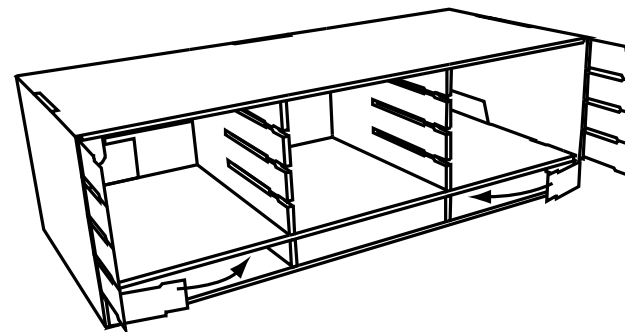
5. Square up the **DIVIDER** by folding it inward.



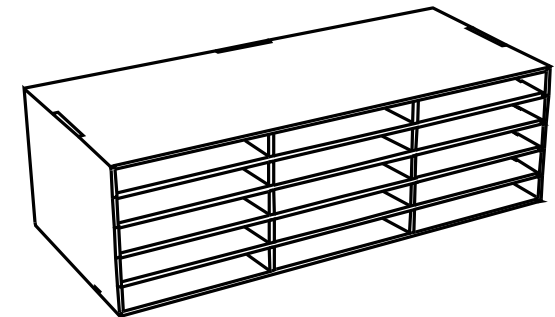
6. Place the **DIVIDER** into the middle of the **ASSEMBLED BASE**.



7. Fold inward the **SHELF** then back-fold the small side flaps. Insert a **SHELF** into the bottom slots of the **DIVIDER**.



8. Fold the bottom **SIDEWALLS** of the **BASE** inward. Insert the other **SHELVES** the same way, folding inward the **SIDEWALLS** as before.



**ASSEMBLED 9 X 12
CONSTRUCTION PAPER
STORAGE CENTER**