



USING YOUR BREWER

OWNER'S MANUAL: Getting the most from your new Keurig® B150 Brewer

COMMENT UTILISER VOTRE CAFETIÈRE
MANUEL D'UTILISATION : Tirez le meilleur de votre nouvelle cafetière B150 de Keurig®



IMPORTANT SAFEGUARDS Safe Operation & Use



When using electrical appliances, basic safety precautions should be followed, including the following:

1. Read all instructions before using.
2. Do not touch hot surfaces. Use handles and knobs when available.
3. This appliance must be properly installed and located in accordance with these instructions before it is used.
4. The use of accessory attachments not recommended by the appliance manufacturer may result in fire, electrical shock or injury to persons.
5. Do not place on or near a hot gas or electric burner, or in a heated oven.
6. Do not use outdoors.
7. To protect against fire, electric shock and injury do not immerse cords, plugs, or the appliance in water or any other liquid.
8. Do not overfill the Water Reservoir.
9. Use **only water** in this appliance! Do not put any other liquids or foods in the Water Reservoir except as directed in the Cleaning Instructions.
10. Turn off and unplug the Brewer before cleaning or maintenance. Allow to cool before putting on or taking off parts and before cleaning the appliance.
11. For best operation, plug the appliance into its own electrical outlet on a dedicated circuit to prevent flickering of lights, blowing of fuses or tripping a circuit breaker.
12. Do not operate any appliance with a damaged cord or plug or after the appliance malfunctions or is damaged in any manner. Contact Keurig® Customer Service to report any malfunction or damage to the Brewer.
13. Do not let the cord hang over the edge of the table or counter, or touch hot surfaces.
14. To disconnect, turn Power Button to 'OFF' status and then remove the plug from the wall outlet.
15. Close supervision is necessary when any appliance is used by or near children.
16. **Do not lift the Handle to open the Lid of the Brewer while brewing is in progress.**
17. Always keep the Water Reservoir Lid on unless you are refilling it.
18. This appliance is equipped with a power cord having a grounding wire with a grounding plug. The appliance must be grounded using a 3-hole properly grounded outlet. In the event of an electrical short circuit, grounding reduces the risk of electrical shock.
19. If the outlet is a standard 2-prong wall outlet, it is your personal responsibility and obligation to have it replaced with a properly grounded 3-prong wall outlet.
20. Do not, under any circumstances, cut or remove the third (ground) prong from the power cord or use an adapter.
21. Consult a qualified electrician if the grounding instructions are not completely understood, or if doubt exists as to whether the appliance is properly grounded.
22. Do not use the appliance for other purposes than its intended use.

SAVE THESE INSTRUCTIONS.

WARNING TO USERS AND PARENTS

1. **DO NOT** permit children to use brewer unless there is adult supervision. Brewer dispenses very hot water.
2. **SPECIAL NOTICE FOR HOT COCOA USERS: IMMEDIATELY AFTER USING A HOT COCOA K-CUP, RUN a Hot Water Brew Cycle** without a K-Cup to avoid the possibility of clogging the exit needle. **DO NOT** assume the next user will do this.

CAUTION: There are two sharp needles that puncture the K-Cup® portion pack, one above the K-Cup Holder and the other in the bottom of the K-Cup Holder. To avoid risk of injury, do not put your fingers in the K-Cup Assembly Housing.

CAUTION: There is extremely hot water in the K-Cup Holder during the brewing process. To avoid risk of injury, do not lift the Handle or open the K-Cup Assembly Housing during the brewing process.

If an extension cord is used, (1) the marked electrical rating of the cord set or extension cord should be at least as great as the electrical rating of the appliance; (2) the cord should be arranged so that it will not drape over the countertop or tabletop where it can be pulled on by children or tripped over unintentionally; and (3) the extension cord must include a 3-prong grounding plug.

THIS PRODUCT IS FOR
COMMERCIAL USE

WARNING THIS PRODUCT CONTAINS CHEMICALS, INCLUDING LEAD, WHICH IS KNOWN TO THE STATE OF CALIFORNIA TO CAUSE CANCER, BIRTH DEFECTS OR OTHER REPRODUCTIVE HARM.

 <p>WARNING RISK OF FIRE OR ELECTRIC SHOCK DO NOT OPEN</p>	 <p>WARNING: TO REDUCE THE RISK OF FIRE OR ELECTRIC SHOCK, DO NOT REMOVE THE BOTTOM COVER. NO USER SERVICEABLE PARTS ARE INSIDE. REPAIR SHOULD BE DONE BY AUTHORIZED SERVICE PERSONNEL ONLY.</p>
---	--

TABLE OF CONTENTS

KEURIG® GOURMET SINGLE CUP BREWING SYSTEM
KEURIG® B150 — Using Your Brewer

SET-UP	
Helpful Hints.....	4
Unpacking.....	4
Features.....	5
SECTION 1 — SET-UP & FIRST BREW	
Set-Up & First Brew.....	6
SECTION 2 — MENU CONTROLS & INDICATORS	
Setting the Clock.....	12
Programming Brew Temperature.....	12
Programming Brew Size.....	13
Programming On/Off Features.....	13
SECTION 3 — CLEANING & MAINTENANCE	
Cleaning.....	15
De-Scaling.....	16
Storage.....	17
SECTION 4 — TROUBLESHOOTING.....	18
SECTION 5 — WARRANTY.....	19

Pour des directives en français, veuillez vous reporter à la page 20.

Record your Brewer Serial Number here.

Removing the serial number label from the Brewer will void warranty.

Set-up

Helpful Hints

1. Keep your Brewer turned "ON" at all times.

To brew a fresh cup of coffee, tea or hot cocoa anytime you want, we suggest you keep your Brewer turned "ON" all the time. However, the Brewer is fully programmable so you can set it to turn on and off automatically to match your schedule. Or, if you prefer, set the Brewer to automatically turn off after a period of time. Follow the simple instructions on pages 13–14 to make using the Brewer convenient for you.

2. For the best tasting gourmet coffee, tea or hot cocoa, Keurig recommends using bottled water or the Keurig® Water Filter Starter Kit (available at www.keurig.com).

Water quality varies from place to place. If you notice an undesirable taste in your cup of coffee, such as chlorine or other mineral tastes, we recommend you consider using bottled water or water from a filtration system.

3. Customize the Size, Flavor & Brew That's Perfect for You.™

With the choice of over 200 varieties of K-Cup® portion packs and 5 brew sizes (Small Cup-4 oz., Small Mug-6 oz., Medium Mug-8 oz., Large Mug-10 oz., and Travel Mug-12oz.) your Keurig®

Brewer gives you endless options to customize the size, flavor and brew that's perfect for you. For a strong, intense cup, select an Extra Bold K-Cup® (with up to 30% more ground coffee than regular varieties) and brew the size that's right for you. The smaller the brew size, the more intense flavor in your cup. The larger the brew size, the less intense flavor in your cup.

4. Plug Brewer into its own grounded outlet.

If the electric circuit is overloaded with other appliances, your Brewer may not function properly. The Brewer should be operated on its own circuit, separate from other appliances.

5. Brewing into a travel mug.

To brew into a travel mug, simply remove the Drip Tray Assembly and place the travel mug on the Drip Tray Base.

6. De-scale Brewer regularly.

Please see pages 16 and 17 for instructions.

Unpacking Instructions

1. Place Brewer box on a large steady surface (such as a table or countertop) or on the floor. Open the box.
2. Remove enclosed literature.

3. Turn the box on its side with the front of the box face down.

4. Reach into the box and grasp the foam insert that contains the Brewer.

5. Carefully pull the foam insert toward you and out of the box. The Brewer will still be encased in the polyfoam and be on its side.

6. Remove the top polyfoam packaging material.

7. Carefully lift Brewer off of the bottom polyfoam and place it upright on a flat, steady surface.

8. Lift plastic bag off of Brewer.

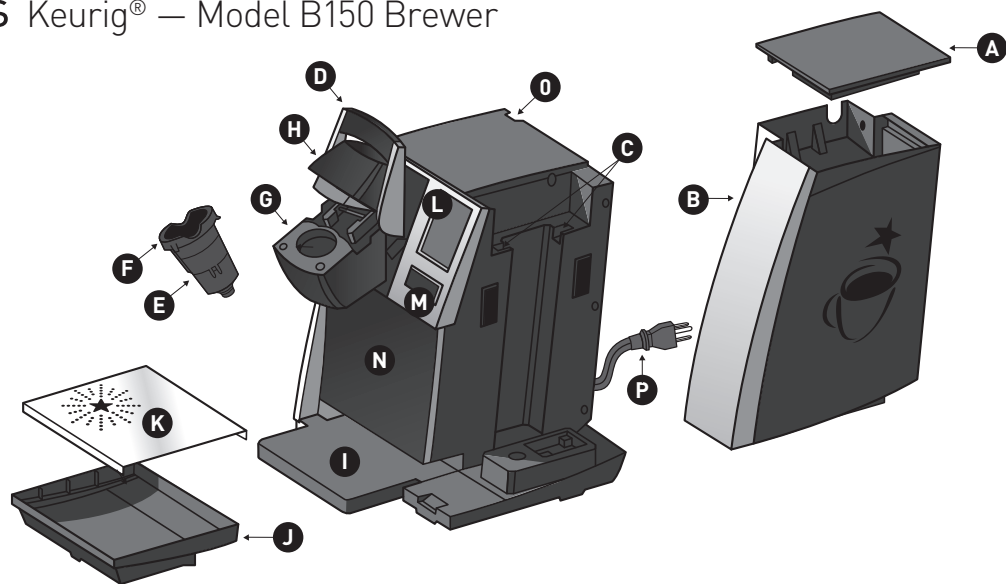
9. Record the serial number for this Brewer on page 3 of this guide. The serial number can be found on the bottom of the Brewer box or on the bottom of the Brewer.

10. Place the Brewer upright on a flat, steady surface. Remove tape holding Water Reservoir in place.

We recommend you save all packing materials in case future shipping of the product is necessary.

WARNING:
Keep all plastic bags away
from children.

Features Keurig® — Model B150 Brewer



Keurig® B150 Brewer

A. Water Reservoir Lid	D. Handle	G. K-Cup Assembly Housing	J. Drip Tray	N. Housing
B. Water Reservoir	E. K-Cup® Holder Funnel	H. Lid	K. Drip Tray Plate	O. Power Switch
C. Water Reservoir Lock Tab Slots	F. K-Cup Holder [E and F are the K-Cup Holder Assembly]	I. Drip Tray Base	L. LCD Screen	P. Power Cord
			M. BREW Button	

SECTION 1 Set-Up & First Brew

IMPORTANT: You cannot use your Keurig® Brewer until it has been set up for its first use.

NOTE: If Brewer has been exposed to temperatures below freezing, allow Brewer at least two hours to reach room temperature before brewing. A frozen or extremely cold Brewer will not operate.

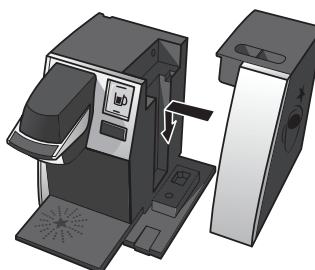
Setting Up Your Brewer

fig. 1



1. Remove all pieces of packing tape for the brewer and Drip Tray. Remove the clear plastic film from the LCD Display. Unwrap cord and plug the Brewer into a grounded outlet.
2. Turn the Brewer on, the Power Switch is located at the top left hand side of the Brewer on the back. The Brewer's LCD Display will display the power up welcome screen (fig. 1).
3. Remove the Water Reservoir from Brewer by first removing Lid from the Water Reservoir then lifting the Water Reservoir straight up and toward the right of the Brewer (may be tight). Rinse the Water Reservoir thoroughly with fresh, clean water.

fig. 2



4. Fill the Water Reservoir up to the fill mark with fresh, clean water. Replace the Water Reservoir on the Brewer making sure that the locking tabs engage with the Brewer (fig. 2). Replace Lid on Water Reservoir.

5. The Brewer will automatically fill the Internal Hot Water Tank with water and then the water will be heated. This will take about 3 minutes. During the heating period, "HEATING PLEASE WAIT" will be displayed on the LCD Screen (fig. 3).

fig. 3



6. Place a 10 oz. mug on the Drip Tray Plate, then fully raise and lower the Brewer Handle. The Brew Button will now be illuminated. Press the Brew Button to start a cleansing brew. **NOTE: A K-Cup should not be used for this sequence.**
7. When the cleansing brew is complete, the Brewer will go into its idle state and will be ready to brew your first K-Cup® portion pack.

fig. 4 Ready to Brew Your First Cup



1. The LCD Display will be in its idle state (fig. 4).
2. Lift the Handle. The K-Cup® Holder will open toward you (fig. 5).
3. Select a K-Cup portion pack.
NOTE: Do not remove the foil lid or puncture the K-Cup.
4. Place a K-Cup portion pack in the K-Cup Holder (fig. 6).



CAUTION: There are two sharp needles that puncture the K-Cup, one above the K-Cup Holder and the other in the bottom of the K-Cup Holder. To avoid risk of injury, do not put your fingers in the K-Cup Assembly Housing.

fig. 5



5. Lower the Handle to close the Lid over the K-Cup Holder. (When it is closed completely, the BREW Button will flash up to 60 seconds.)
6. Place a mug on the drip tray and select your brew size (fig. 7), then press BREW (fig. 8).
NOTE: If you do not press BREW within 60 seconds the Brewer will return to its idle state and the Brew Button will cease to flash to prevent accidental activation. Re-activate by raising the handle fully and then closing it.

fig. 6



7. There may be a short pause prior to coffee being dispensed. The entire brew process lasts for approximately 1 minute and ends with a burst of air to remove all liquid from the K-Cup.

CAUTION: There is extremely hot water in the K-Cup Holder during the brew process. To avoid risk of injury, do not lift the Handle or open the K-Cup Assembly Housing during the brew process.

8. The end of brew is indicated by "KEURIG BREWED ENJOY".

9. Lift the Handle, remove and dispose of the used K-Cup.

CAUTION: K-Cup will be hot.

10. Enjoy your first cup of Keurig Brewed® gourmet coffee, tea or hot cocoa!

11. Your Brewer may display "HEATING PLEASE WAIT" as it heats water for the next brew cycle.

fig. 7



fig. 8



SECTION 1 Set-Up & First Brew (continued)

Stopping the Brew Process

If you need to stop the brewing after the process has started, press and release the Power Switch to turn the Brewer 'OFF'. The flow of coffee, tea or hot cocoa will stop and the heating element and the LCD Screen will shut off.

NOTE: You may get more coffee, tea or hot cocoa in your cup during your next brew. We recommend that you perform a cleansing brew with water only after a terminated brew. Then your next brew will be the volume you have selected.

fig. 9



Adding Water

The LCD Display of your Brewer will indicate when the water level in the Reservoir is low or if the Water Reservoir has been removed by displaying the words "FILL WATER RESERVOIR" (fig. 9). The Brewer will not allow you to brew when "FILL WATER RESERVOIR" is displayed (fig. 9).

The Water Reservoir can be filled in three ways.

1. Remove the Water Reservoir from Brewer by first removing Lid from the Water Reservoir, then lifting the Water Reservoir straight up and toward the right of the Brewer. Fill with water. Place the Water Reservoir back on the Brewer and replace the Lid.



IMPORTANT: Do not remove the Water Reservoir during the brewing process.

2. Lift off the Water Reservoir Lid and pour water directly into the Water Reservoir while it is still attached to the Brewer, then replace the Lid.
3. The Brewer can also be connected directly into the water line. To order a B150 Direct Plumb Kit please call 1.888.CUP.BREW (287.2739).

Brewing Hot Water

Your Brewer is able to produce hot water for making hot cocoa from a packet, or for use in cooking, etc. Simply follow the instructions on page 7, "Ready To Brew Your First Cup" without adding a K-Cup.

NOTE: After brewing a hot cocoa K-Cup, we recommend running a hot water brew cycle without a K-Cup.

Purging the Brewer

If your Brewer has not been used for more than one week, you should purge the water from the internal water tank.

1. If there is water in the Water Reservoir, remove the Lid, then lift the Water Reservoir straight up and away from Brewer. Discard water, rinse and refill with water. Place the Water Reservoir back on the Brewer and replace the Lid. (If there is no water in the Water Reservoir, simply refill.)
2. Be sure the Brewer is turned 'ON'. Raise and lower the Handle on the Brewer without inserting a K-Cup.
3. The LCD Display will be in its idle state (fig.4).

fig. 10



4. Place a large mug on the drip tray and select Large Mug (10 oz. serving) brew size from the Select Brew Size Menu (fig.10).
5. Discard water.
6. Repeat steps 2 - 5 two more times to completely purge water from the Internal Hot Water Tank.

SECTION 2 Menu Controls & Indicators

Menu Mode

To enter the MENU MODE the Brewer's power must be off. Press and hold your finger on the display while pressing and releasing the power switch. Continue pressure on the display for **5 seconds** (fig.11). The MENU screen will appear. (fig.12).

Press any line item to enter the set up for that particular feature. Please reference the Menu navigation on page 11.

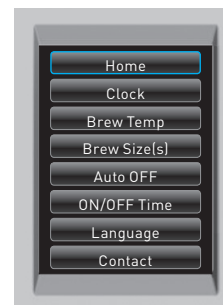
If you are experiencing any problems with your Brewer, please contact Customer Service at 1.888.CUP.BREW (287.2739).



fig. 11

 5 seconds.

fig. 12



Menu Key Navigation

Home

Press HOME at any time to return to your brewer to an idle state.

Clock

Setting the clock is optional. To program the clock, follow the instructions on page 12.

Brew Temp

The brew temperature is pre-set at 193°F. You do not have to set the brew temperature but you can adjust it up or down by 5°. Simply follow the instructions on page 12.

Brew Size(s)

Five brew sizes are available: 4 oz., 6 oz., 8 oz., 10 oz., and 12 oz. To program the brew sizes see page 13.

Auto OFF

Auto Off allows you to program your Brewer to automatically turn off two hours after the last brew. See page 14 for programming instructions.

ON/OFF Time

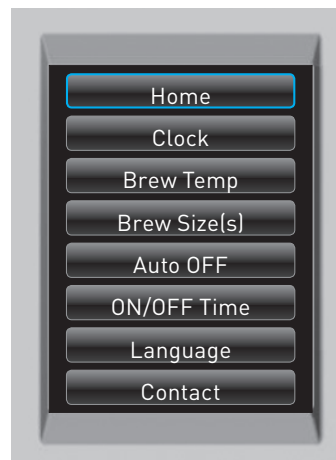
You can leave your Brewer on all the time and use the Power button to turn it off. Or you can program the brewer to brew at a specific time as shown on page 13.

Language

This Brewer is shipped with English as the default language. To change the language, follow the instructions on page 14.

Contact

The contact setting features allows you to program the contact information you need for brewer support and help. To program, follow the instructions on page 14.

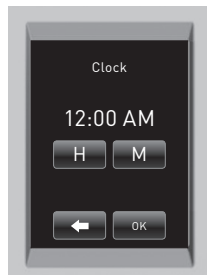


SECTION 2 Menu Controls & Indicators (continued)

Setting the Clock

Setting the clock is optional. When the clock is set, the time will appear in the LCD Control Center. **NOTE: You must set the clock if you will be programming the Auto On/Off Time feature.**

fig. 13



1. From the Menu Mode, press "CLOCK".
2. The set clock screen will display "DISABLED" if the brewer is new or if electrical power has been interrupted. Press "DISABLED" to set a time. Press H repeatedly to advance the hour in steps or hold it down to scroll through the hours quickly. When you have set the hour then press the M to set the minutes, press repeatedly to advance by a minute each time or keep it pressed to scroll quickly (fig.13).
3. Press "OK" when you are finished. The Clock is now set.
4. The correct time should now be displayed in the LCD Home Screen.

NOTE: If power is interrupted to the Brewer, follow the procedure above to reset the time as the clock will not be visible. Brew size and brew temperature menu settings will be restored automatically. All other settings will be restored automatically after clock is set.

NOTE: To disable the clock, press the time. However, the 'On/Off' time setting will also be disabled.

Programming Brew Temperature (188°–198° F)

The Brewer brews at a preset temperature of 193°F. You can adjust this temperature up or down by 5°. Simply follow the instructions below.

fig. 14



1. From the Menu Mode, press "BREW TEMP".
2. The LCD Display will now display the Brew Temperature programming options (fig.14). The temperature 193°F (initial setting) will be displayed at the top of the LCD Display to indicate the current temperature setting.
3. Press the + symbol to increase the temperature and the - symbol to lower the temperature one degree at a time.
4. Once you have reached your desired brew temperature, press "OK". The Brew Temperature is now set.
5. To change the brew temperature, repeat steps 1 through 4.

NOTE: At high altitudes (over 5,000 feet) if boiling occurs, use the temperature adjustment (-5°) to lower the temperature.

Programming Your Brew Size

All brew sizes are enabled in the default setting. If you want to disable any brew size, just press on the appropriate icon(s). Please follow instructions outlined below.

fig. 15



1. From the Menu Mode, press "SET BREW SIZE(S)".
2. The LCD will display all enabled brew sizes. To disable a brew size press the icon. The check mark will change to an 'X' indicating that the brew size is disabled (fig.15).
3. Once you have selected your desired brew size(s), press "OK". The brew size(s) are now set.

NOTE: You can not delete all brew sizes. To enable a brew size you have already disabled, just press its icon and then press 'OK'.

Programming On/Off Features

The Brewer provides three modes so that you can enjoy gourmet coffee, tea or hot cocoa on your own schedule.

fig. 16



1. **Leave it ON all the time.** The Brewer can be left on all the time so that it is always ready to brew a fresh cup of gourmet coffee, tea or hot cocoa. To turn the Brewer off at any time, simply press and release the Power Switch. Press and release the Power Switch again to restore power to the Brewer. You will have to wait for the water to heat up before the Brewer is ready to brew.
2. Program the Brewer for a specific On/Off Time. **NOTE:** To use this programming feature, the clock must be set to the correct time.

- a. After setting the correct time (see "Setting The Clock" page 12), return to the Menu Mode and press "ON/OFF TIME".
- b. To set the ON time, press "DISABLED". The display will change to a time of day. Press "H" to set the hours and "M" to set the minutes. Once the desired time is set, press "OK" to accept this time.
- c. To set the OFF time, press "DISABLED". The display will change to a time of day. Press "H" to set the hours and "M" to set the minutes. Once the desired time is set, press "OK" to accept this time (fig.16).

SECTION 2 Menu Controls & Indicators (continued)

fig. 17



3. Set the Brewer to "AUTO OFF" to automatically turn off 2 hours after the last brew.
 - a. From the Menu Mode, press "AUTO OFF". The LCD Display will now display the "AUTO OFF" programming option (fig.17).
 - b. To enable the "AUTO OFF" feature, press "ON". "ENABLED" will appear on the screen and press "OK". To disable the "AUTO OFF" feature, press "OFF". "DISABLED" will appear on the screen and press "OK".

fig. 18



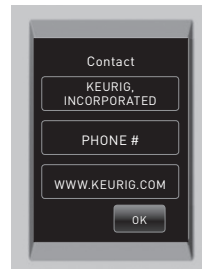
Language Settings

The Brewer is shipped with English as the default language. To change the default to Francais or Espanol, follow the instructions outlined below.

Set Language

1. From the Menu Mode, press "LANGUAGE".
2. The LCD Display will now display the Language programming options (fig.18).
3. Press the desired Language button, then press OK to confirm your selection.

fig. 19



Setting Contact Screen

The contact screen is pre-programmed with the following information: Keurig, Inc. and www.keurig.com.

You can reprogram the brewer with your contact information. The contact screen will appear in the screen saver.

1. From the Menu Mode, press "CONTACT". The LCD screen will display the Keurig default contact information (fig.19).
2. Press the Upper (Company Name) Box. The Keypad will appear along with the current information (fig.20). **NOTE: Unless changed by the user, Keurig contact information will be present on the display.**
 - a. Press Delete Key repeatedly to remove current information. Enter new information using the Keypad.
NOTE: To select Upper Case, Lower Case, Numerals, Upper Case Accents, Lower Case Accents, press the Keypad Change Key located at the bottom center of the screen.

fig. 20





fig. 21

- b. Press "OK" to save your changes and return to the Main Contact Screen.
NOTE: Pressing the Back Arrow Key will return to the Main Contact Screen without saving changes.

- 3. Press the Middle [Phone Number] Box. The Numeral Keypad Mode will appear along with the current information (fig.21).

- a. Delete current phone number and enter new information using the Keypad.

- b. Press "OK" to save your changes and return to the Main Contact Screen.

- 4. Press the Lower Box. This box can be customized to contain any information such as web/email address, contact name, etc (fig.22).

- a. Enter new information using the Keypad.

- b. Press "OK" to save your changes and return to the Main Contact Screen.

- c. In Main Contact Screen (fig.19), press "OK" to save the updated screen as the default and return to the Menu Screen.



fig. 22

SECTION 3 Cleaning & Maintenance

Cleaning External Parts

Regular cleaning of the Brewer's external components is recommended.

1. Never immerse the Brewer in water or other liquids. The Housing and other external components may be cleaned with a soapy, damp, non-abrasive cloth.
2. The Drip Tray can accumulate up to 12 ounces of overflow. The Drip Tray and Drip Tray Plate should be periodically inspected and rinsed clean. To remove the Drip Tray Assembly, simply slide it toward you, keeping it level at all times to avoid spilling. The Drip Tray and Drip Tray Plate should not be placed in the dishwasher. They should be cleaned with a damp, soapy, non-abrasive cloth and rinsed thoroughly.

Cleaning the K-Cup® Holder Assembly



fig. 23

1. **Cleaning the Parts**—The K-Cup Holder Assembly can be placed onto the top shelf of a dishwasher. **NOTE: Use low temperature cycles in the dishwasher.** To remove the K-Cup Holder Assembly from the Brewer, open the cover by lifting the Handle. Grasp the top of the K-Cup Holder with one hand while pushing up on the bottom of the K-Cup Holder from underneath with the other until it releases (fig.23). After cleaning, align the K-Cup Holder with the opening

SECTION 3 Cleaning & Maintenance (continued)

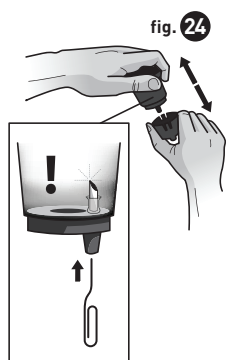


fig. 24

using the two front ribs as a guide, and snap them into place from the top.

2. Cleaning the Funnel—The Funnel can be removed from the K-Cup Holder by pulling on it until it pops off (fig. 24). The Funnel is dishwasher safe. To replace it, just snap it back onto the K-Cup Holder.

3. Cleaning the Exit Needle—The Exit Needle is located on the inside bottom of the K-Cup Holder. Should a clog arise due to coffee grinds, it can be cleaned using a paper clip or similar tool. Remove the K-Cup Holder Assembly and detach Funnel. Insert the paper clip (as shown in fig. 24) into the Needle to loosen the clog, then flush with water. The K-Cup Holder Assembly can be placed onto the top shelf of a dishwasher.

NOTE: Use low temperature cycles in the dishwasher.

CAUTION: There are sharp needles that puncture the K-Cup above the K-Cup Holder and in the bottom of the K-Cup Holder. To avoid risk of injury, do not put your fingers in the K-Cup Assembly Housing.

Cleaning the Water Reservoir & Water Reservoir Lid

The Water Reservoir Lid or Water Reservoir should not be put into the dishwasher. They should be cleaned with a damp, soapy, non-abrasive cloth and rinsed thoroughly. Do not dry the inside of the Water Reservoir with a cloth as lint may remain. **CAUTION:** Please rinse the Water Reservoir thoroughly after cleaning to ensure that no cleaners or cleaning solutions remain in this area as they may contaminate the water supply in the Brewer.

De-Scaling Your Brewer

Mineral content in water varies from place to place. Depending on the mineral content of the water in your area, calcium deposits or scale may build up in your Brewer. Scale is non-toxic, but left unattended, it can hinder Brewer performance. De-scaling your Brewer helps maintain the heating element and other internal parts of the Brewer that come in contact with water.

The Brewer should be de-scaled every 3-6 months to ensure optimal performance. It is possible for calcium deposits to build up faster, making it necessary to de-scale more often.

De-Scaling Instructions

A. PREPARE

Step 1: Make sure you have at least 90 oz. of undiluted white vinegar on hand. You will also need an empty sink and a large ceramic mug (do not use a paper cup).

Step 2: Empty the water in the Water Reservoir.

Step 3: Disable "Auto Off" and programmed "On Off" time (pages 13-14).

B. FILL AND CLEAN

Step 1: Pour the vinegar into the Water Reservoir to fill it.

Step 2: Place a large mug on the Drip Tray Plate and run a water brew cycle. **DO NOT USE A K-CUP**, just select the Large Mug brew size. Pour the contents of the large mug into the sink.

Step 3: Repeat the brew process 3 times.

Step 4: Let the Brewer stand for at least 4 hours while still on.

C. RINSE

Step 1: Ensure the Water Reservoir is filled with fresh water.

Step 2: Place a large mug on the Drip Tray Plate and run a water brew cycle. Pour the contents of the large mug into the sink.

Step 3: Repeat brew process until the Water Reservoir is empty.

Step 4: You may need to perform additional water brew cycles if you notice any residual taste or odor.

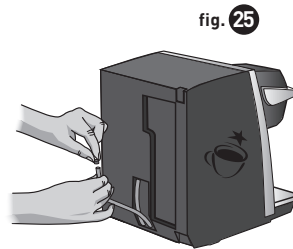
Service

Beyond these recommended cleaning and maintenance procedures this Brewer is not user serviceable. For service, please refer to the Warranty section of this guide.

Storage

Draining the Brewer

1. Turn off the brewer, unplug it, and allow the brewer to cool approximately 30 minutes.
2. Empty the Water Reservoir by first removing the Lid from the Water Reservoir then lifting the Water Reservoir straight up and toward the right of the brewer (may be tight). Rinse and Empty the Water Reservoir.



3. Turn the brewer around so the back is facing out. Unscrew the small knob to release the back panel, remove the panel from the brewer, and set it aside. If the screw is tight, you may need to use a flathead screw driver. Pull the tube downward until the end is free (fig25). Over a large pitcher, remove the plug and drain the water from the Internal Hot Water Tank into the pitcher. **CAUTION: If the brewer was not allowed to cool sufficiently, the water draining from the tube may be very hot.** Re-cap the tube. **NOTE: To avoid losing parts, when finished, re-insert the tube and screw the panel back onto the brewer.**

SECTION 4 Troubleshooting

Situation	Solution
Brewer does not have power	<ul style="list-style-type: none"> • Plug Brewer into an independent outlet. • Check to be sure that it is plugged in securely. • Plug into a different outlet. • Reset your home's circuit breaker if necessary. • Make sure that the Power Switch has been turned on and LCD Display is illuminated.
Brewer will not brew	<ul style="list-style-type: none"> • After placing the K-Cup® in the K-Cup Holder, make sure the Handle is pushed down securely and the LCD Control Center reads "READY TO BREW" with the BREW Button flashing, then press the Left, Right or BREW Button. • If the LCD Control Center indicates "ADD WATER", add water to the Water Reservoir or make sure the Water Reservoir is seated properly in its base. • If the LCD Control Center indicates "ADD WATER" even after refilling, contact Customer Service at 1.888.CUP.BREW (287.2739). • The Exit Needle may be clogged (refer to page 16).
Chlorine or mineral taste in coffee	<ul style="list-style-type: none"> • Consider using bottled water, filtered water or the Keurig® Water Filter Starter Kit (available at www.keurig.com).

Situation	Solution
Brewing a partial cup	<ul style="list-style-type: none"> • The Exit Needle may be clogged (refer to page 16). • Clean the K-Cup Holder Assembly if necessary and rinse under faucet (refer to pages 15-16). • The Water Reservoir may have been removed during brewing. Replace the Water Reservoir and perform a water brew without a K-Cup. • "De-Scale" the Brewer (refer to pages 16-17). • If you have repeated the de-scale procedure on your Brewer two times and it is still only brewing a partial cup, contact Customer Service at 1.888.CUP.BREW (287.2739).
The time is not displayed on the LCD Message Center	<ul style="list-style-type: none"> • The time will not be displayed on the LCD unless you have set it. To set the clock, follow the procedure on page 12. • If power is interrupted to the Brewer, you will need to set the clock again using the procedure on page 12.
Brewer shuts off or turns on automatically	<ul style="list-style-type: none"> • Check to make sure that the Auto Off timer and/or On/Off time features have not been set. To do this, press the MENU Button below "MENU" and scroll through the programming options. "OFF" should be displayed for Auto Off timer and On/Off. If "OFF" is not displayed, follow directions on pages 13-14 to reset.
If any problems persist, contact Customer Service at 1.888.CUP.BREW (287.2739)	

SECTION 5 Warranty

Limited One Year Warranty

Keurig® warrants that your Brewer will be free of defects in materials or workmanship **under normal** use for one year from the date of purchase. It is recommended that you fill out and return the warranty card enclosed with your Brewer so that your purchase information will be stored in our system. Keurig will, at its option, repair or replace the Brewer without charge upon its receipt of proof of the date of purchase. If a replacement Brewer is necessary to service this warranty, the replacement Brewer may be new or reconditioned. If a replacement Brewer is sent, a new limited one year warranty will be applied to the replacement Brewer.

This warranty only applies to Brewers operated in the United States and Canada. This warranty gives you specific legal rights, and you may also have other rights that vary from state to state and, in the case of Canada, from province to province.

What is not covered by the Limited Warranty?

THIS WARRANTY DOES NOT COVER CONSEQUENTIAL OR INCIDENTAL DAMAGES SUCH AS PROPERTY DAMAGE AND DOES NOT COVER INCIDENTAL COSTS AND EXPENSES RESULTING FROM ANY BREACH OF THIS WARRANTY, EVEN IF FORESEEABLE. Some states or provinces do not allow the exclusion or limitations of incidental or consequential damages, so the above limitation or exclusion may not apply to you depending on the state or province of purchase.

Nor does this warranty cover damages caused by services performed by anyone other than Keurig or its authorized service providers, use of parts other than genuine Keurig parts, or external causes such as abuse, misuse, inappropriate power supply or acts of God.

Other Limitations

THIS WARRANTY IS EXCLUSIVE AND IS IN LIEU OF ANY OTHER EXPRESS WARRANTY, WHETHER WRITTEN OR ORAL. IN ADDITION, KEURIG HEREBY SPECIFICALLY DISCLAIMS ALL OTHER WARRANTIES WITH RESPECT TO YOUR B150 BREWER, INCLUDING ANY IMPLIED WARRANTY OF MERCHANT ABILITY OR FITNESS FOR ANY PARTICULAR PURPOSE. Some states or provinces do not allow disclaimers of such implied warranties or limitations on how long an implied warranty lasts, so the above limitation may not apply to you depending on the state or the province of purchase.

How do you obtain warranty service?

Keurig Brewers are high-quality appliances and, with proper care, are intended to provide years of satisfying performance. However, should the need arise for warranty servicing, simply call Keurig Customer Service at our toll free phone number 1.888.CUP.BREW (287.2739). Please do not return your Brewer for servicing without first speaking to Keurig Customer Service to obtain an Authorization to Return number (ATR). Keurig Brewers returned without an ATR number will be returned to the sender without servicing.

Keurig, Incorporated
55 Walkers Brook Drive
Reading, MA 01867
1.888.CUP.BREW (287.2739)

RÈGLES DE SÉCURITÉ IMPORTANTES

Fonctionnement et utilisation sans danger



Lors de l'utilisation de tout appareil électrique, des mesures de sécurité de base devraient être suivies, et notamment :

1. Lire toutes les instructions avant l'utilisation.
2. Ne pas toucher les surfaces chaudes. Utiliser les poignées s'il y en a.
3. Installer correctement l'appareil et le placer dans un endroit conforme aux présentes instructions avant de l'utiliser.
4. L'utilisation d'accessoires non recommandés par le fabricant de l'appareil risque de causer des incendies, des chocs électriques ou des blessures.
5. Éviter le contact ou la proximité de l'appareil avec un élément électrique ou un brûleur à gaz. Éviter également de placer l'appareil à l'intérieur d'un four chaud.
6. Ne pas utiliser à l'extérieur.
7. Pour éviter les risques d'incendie, de chocs électriques ou de blessures, ne pas immerger la fiche, le cordon d'alimentation ou l'appareil dans l'eau ni dans aucun autre liquide.
8. Ne pas trop remplir le réservoir d'eau.
9. Utiliser **seulement de l'eau** dans cet appareil! Ne verser aucun autre liquide ou aliment dans le réservoir d'eau, à moins d'indications à cet effet dans les instructions de nettoyage.
10. Éteindre et débrancher l'appareil avant de le nettoyer ou d'en faire l'entretien. Laisser l'appareil refroidir avant d'ajouter ou d'enlever

des pièces et avant de le nettoyer.

11. Pour une utilisation optimale, brancher l'appareil dans une prise de courant séparée sur un circuit spécialisé pour éviter que les lumières vacillent, que les fusibles sautent ou que les disjoncteurs se déclenchent.
12. Ne jamais utiliser un appareil dont la fiche ou le cordon d'alimentation est endommagé ou un appareil qui présente un trouble de fonctionnement ou qui a été endommagé. Communiquer avec le Service à la clientèle de Keurig® pour signaler tout mauvais fonctionnement de la cafetière ou tout dommage à celle-ci.
13. Ne pas laisser le cordon d'alimentation pendre d'une table ou d'un comptoir ni entrer en contact avec une surface chaude.
14. Pour débrancher la cafetière, éteindre d'abord l'appareil en appuyant sur l'interrupteur, puis retirer le cordon de la prise.
15. Ne jamais laisser des enfants utiliser la cafetière ni rester à proximité sans surveillance.
16. **Ne pas soulever la poignée pour ouvrir le couvercle de la cafetière durant l'infusion.**
17. Toujours laisser le couvercle sur le réservoir d'eau, sauf lors du remplissage.
18. L'appareil est équipé d'un cordon d'alimentation muni d'un fil et d'une prise de mise à la terre. L'appareil doit être mis à la terre en utilisant une prise de courant à contact de mise à la terre à trois trous. En cas de

court-circuit, la mise à la terre réduit les risques de chocs électriques.

19. Si la prise de courant est une prise de courant murale standard à deux trous, le propriétaire a l'obligation et la responsabilité de la faire remplacer par une prise de courant de mise à la terre à trois trous.
20. Il ne faut en aucun cas couper ou enlever la troisième broche (mise à la terre) de la fiche du cordon d'alimentation, ni utiliser un adaptateur.
21. Consulter un électricien qualifié si les instructions sur la mise à la terre ne sont pas parfaitement comprises ou en cas de doutes sur la mise à la terre de l'appareil.
22. Ne pas utiliser l'appareil à d'autres fins que celle pour laquelle il a été conçu.

CONSERVER CE MANUEL.

AVERTISSEMENT AUX UTILISATEURS ET AUX PARENTS

1. NE permettez **PAS** aux enfants d'utiliser l'appareil sans la supervision d'un adulte. L'appareil distribue de l'eau très chaude.

2. AVIS SPÉCIAL AUX UTILISATEURS DE CHOCOLAT CHAUD : APRÈS L'UTILISATION D'UN GODET K-CUP DE CHOCOLAT CHAUD, LANCEZ IMMÉDIATEMENT un cycle d'infusion d'eau chaude sans K-Cup pour éviter une possible obstruction de l'aiguille de sortie. **NE** tenez **PAS** pour acquis que le prochain utilisateur le fera.

ATTENTION : Le godet K-Cup® est perforé par deux aiguilles, une au-dessus du support à K-Cup et l'autre au fond du support à K-Cup. Pour éviter tout risque de blessure, ne pas mettre les doigts dans le boîtier du support à K-Cup.

ATTENTION : L'eau se trouvant dans le support à K-Cup durant l'infusion est extrêmement chaude. Pour éviter tout risque de blessure, ne pas soulever la poignée ni ouvrir le boîtier du support à K-Cup durant l'infusion.

DIRECTIVES POUR CORDON D'ALIMENTATION COURT : L'appareil est doté d'un cordon d'alimentation court pour éviter qu'il s'emmêle ou que quelqu'un trébuche sur un cordon long.

Si une rallonge est utilisée, (1) les caractéristiques électriques inscrites sur la rallonge doivent égaler ou excéder celles de l'appareil, (2) le cordon doit être fixé de façon à ce qu'il ne pende pas d'une table ou d'un comptoir pour éviter qu'un enfant puisse le saisir ou que quelqu'un trébuche et (3) la rallonge doit être munie d'une prise de mise à la terre à trois broches.

CE PRODUIT EST DESTINÉ À UNE UTILISATION COMMERCIALE

AVERTISSEMENT CE PRODUIT CONTIENT DES PRODUITS CHIMIQUES, NOTAMMENT DU PLOMB, UN MÉTAL QUI, SELON L'ÉTAT DE LA CALIFORNIE, CAUSE LE CANCER, DES ANOMALIES CONGÉNITALES OU D'AUTRES MALFORMATIONS GÉNÉTIQUES.

<p>AVERTISSEMENT</p> <p>RISQUE D'INCENDIE ET DE CHOC ÉLECTRIQUES</p> <p>NE PAS OUVRIR!</p> 	<p>AVERTISSEMENT : POUR RÉDUIRE LES RISQUES D'INCENDIE ET DE CHOC ÉLECTRIQUES, NE PAS RETIRER LE COUVERCLE INFÉRIEUR. CET APPAREIL NE CONTIENT AUCUNE PIÈCE RÉPARABLE PAR L'UTILISATEUR. LES RÉPARATIONS NE DEVRAIENT ÊTRE EFFECTUÉES QUE PAR UN TECHNICIEN DE SERVICE AGRÉÉ.</p>
--	--

TABLE DES MATIÈRES

SYSTÈME D'INFUSION GOURMET UNE TASSE À LA FOIS DE KEURIG®
B150 de KEURIG® — Comment utiliser votre cafetière

RÉGLAGES

Conseils utiles	22
Déballage	22
Caractéristiques	23

SECTION 1 — PRÉPARATION ET PREMIÈRE INFUSION

Préparation et première infusion	24
--	----

SECTION 2 — MENU DES COMMANDES ET VOYANTS

Réglage de l'horloge	30
Réglage de la température d'infusion	30
Programmation du format de tasse	31
Programmation des fonctions de mise en marche et d'arrêt automatiques	31

SECTION 3 — NETTOYAGE ET ENTRETIEN

Nettoyage	33
Détartrage	34
Entreposage	35

SECTION 4 — DÉPANNAGE

.....	36
-------	----

SECTION 5 — GARANTIE

.....	37
-------	----

Inscrivez le numéro de série de votre cafetière ici.

Le retrait de l'étiquette du numéro de série annulera la garantie.

Réglages

Conseils utiles

1. Laissez votre cafetière allumée en tout temps. Nous vous suggérons de toujours laisser votre cafetière allumée. Vous pourrez ainsi savourer une tasse de café, de thé ou de chocolat chaud fraîchement infusé à tout moment. Toutefois, la cafetière est entièrement programmable, ce qui vous permet de la mettre en marche ou de l'arrêter aux moments qui vous conviennent. Si vous préférez, vous pouvez également régler la cafetière pour qu'elle s'arrête après une certaine période de temps. Veuillez consulter les instructions aux pages 31-32 pour régler la cafetière en fonction de vos besoins.
2. Pour obtenir le café gourmet, le thé de spécialité ou le chocolat chaud le meilleur qui soit, Keurig® recommande l'utilisation d'eau embouteillée ou de l'ensemble de départ pour filtre à eau de Keurig® (vendu au www.keurig.com). La qualité de l'eau varie d'un endroit à l'autre. Si votre café a un goût désagréable de chlore ou de minéraux, nous vous recommandons d'utiliser de l'eau embouteillée ou de l'eau filtrée à l'aide d'un système de filtration d'eau.
3. Choisissez le format, la saveur et l'infusion que vous aimez. Avec plus de 200 variétés de godets K-Cup® et cinq formats d'infusion (demi-tasse [118 ml/4 oz], petite tasse [177 ml/6 oz], tasse moyenne [237 ml/8 oz], grande tasse [296 ml/10 oz] et tasse de voyage [336 ml/12 oz]) votre cafetière Keurig® vous offre d'innombrables possibilités de formats, de saveurs et d'infusions pour

préparer la boisson idéale pour vous. Pour une boisson forte au goût plus prononcé, choisissez une K-Cup® très intense, qui contient 30 % plus de café que nos cafés ordinaires, et le format d'infusion qui vous convient. Plus le format d'infusion est petit, plus la saveur sera forte. Plus le format d'infusion est grand, plus la saveur sera douce.

4. Branchez la cafetière sur un circuit avec mise à la terre où elle seule est branchée. Une surcharge du circuit électrique avec plusieurs appareils risque de nuire au fonctionnement de votre cafetière. Celle-ci devrait être branchée séparément des autres appareils, sur son propre circuit électrique.
5. Infusez votre café dans une tasse de voyage. Pour infuser un café dans une tasse de voyage, vous n'avez qu'à retirer la cuvette d'égouttage et à placer la tasse de voyage sur la base de la cuvette.
6. Détartrez régulièrement la cafetière. Voir les instructions aux pages 34 et 35.

Déballage de la cafetière

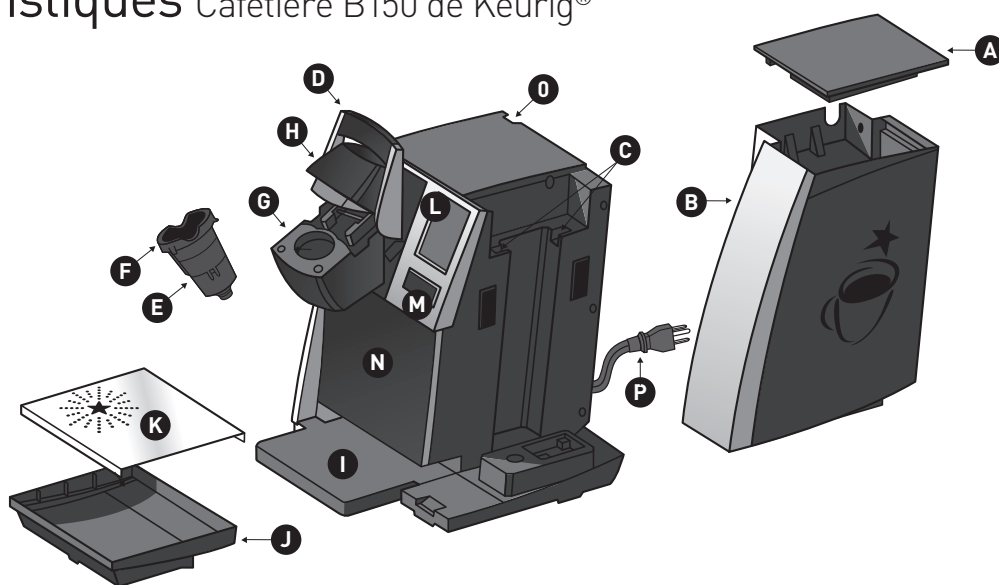
1. Placez la boîte de la cafetière sur une grande surface plane, comme une table ou un comptoir, ou sur le plancher. Ouvrez la boîte.
2. Enlevez la documentation et les godets K-Cup® fournis.

3. Couchez la boîte sur le côté, la partie avant en dessous.
4. Saisissez l'emballage de polymousse contenant la cafetière.
5. Tirez délicatement l'emballage de polymousse vers vous pour le sortir de la boîte. La cafetière est encastrée dans le polymousse et repose sur le côté.
6. Retirez la partie supérieure du polymousse.
7. Retirez soigneusement la cafetière de la base de polymousse et placez-la debout sur une surface plane et stable.
8. Enlevez le sac de plastique de la cafetière.
9. Inscrivez le numéro de série de la cafetière à la page 20 de ce manuel. Le numéro de série est indiqué en dessous de la cafetière ou sur la boîte.
10. Placez la cafetière debout sur une surface plane et stable. Enlevez le ruban adhésif qui maintient le réservoir d'eau en place.

Nous vous recommandons de conserver tout le matériel d'emballage au cas où il serait nécessaire de retourner la cafetière.

ATTENTION :
Gardez tous les sacs de plastique hors de la portée des enfants.

Caractéristiques Cafetière B150 de Keurig®



Cafetière B150 de Keurig®

- | | | | | |
|---|--|--|---------------------------------|------------------------------------|
| A. couvercle du réservoir d'eau | D. Poignée | G. Boîtier de K-Cup | J. Cuvette d'égouttage | M. Bouton d'infusion (BREW) |
| B. Réservoir d'eau | E. Entonnoir du support à K-Cup® | H. couvercle | K. Plateau à tasse | N. Boîtier |
| C. Fentes pour languettes de verrouillage du réservoir d'eau | F. Support à K-Cup [E et F forment l'assemblage du support à K-Cup] | I. Base de la cuvette d'égouttage | L. Écran ACL | O. Interrupteur |
| | | | P. Cordon d'alimentation | |

SECTION 1 Préparation et première infusion

IMPORTANT : N'utilisez pas votre cafetière Keurig® avant de l'avoir préparée pour une première utilisation.

REMARQUE : Si la cafetière a été placée dans un endroit où la température était sous le point de congélation, laissez-lui au moins deux heures pour atteindre la température ambiante avant de l'utiliser. Une cafetière gelée ou très froide ne pourra pas fonctionner.

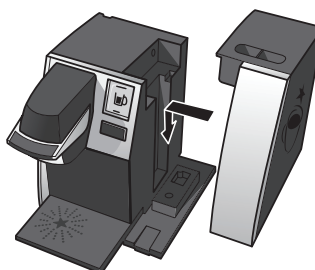
Préparation de votre cafetière

fig. 1



1. Retirez tous les morceaux de ruban adhésif de la cafetière et de la cuvette d'égouttage. Retirez la pellicule de plastique transparent de l'écran ACL. Déballez le cordon et branchez la cafetière dans une prise avec mise à la terre.
2. Mettez la cafetière en marche à l'aide de l'interrupteur situé à l'arrière de la cafetière, en haut à gauche. L'écran ACL de la cafetière affichera le message de bienvenue (fig. 1).
3. Enlevez le réservoir d'eau de la cafetière en retirant d'abord le couvercle du réservoir. Soulevez ensuite le réservoir à la verticale puis vers la droite (le réservoir peut offrir une certaine résistance). Rincez à fond le réservoir

fig. 2



avec de l'eau fraîche et propre.

4. Remplissez le réservoir jusqu'à la marque avec de l'eau fraîche et propre. Remplacez le réservoir d'eau sur la cafetière en vous assurant que les languettes de verrouillage s'engagent correctement dans la cafetière (fig. 2) Remplacez le couvercle sur le réservoir d'eau.

5. Le réservoir d'eau chaude interne de la cafetière se remplit automatiquement d'eau et l'eau est chauffée. Ce processus prend environ trois minutes. Durant la période de chauffage, le message « CHAUFFAGE — ATTENDRE » s'affiche sur l'écran ACL (fig. 3)

fig. 3



6. Placez une tasse de 296 ml (10 oz) sur le plateau à tasse, puis soulevez complètement et rabaissez la poignée de la cafetière. Le bouton d'infusion (BREW) s'allume. Appuyez sur le bouton d'infusion (BREW) pour effectuer une infusion de nettoyage. **REMARQUE : Ce cycle se fait sans K-Cup.**

7. Une fois le cycle de nettoyage terminé, la cafetière retourne au mode repos et est prête à infuser votre premier godet K-Cup®.

fig. 4



Infusion de votre première tasse

1. L'écran ACL affiche le message de repos (fig. 4).
2. Soulevez la poignée. Le support à K-Cup® s'ouvrira vers vous (fig. 5).

3. Choisissez un godet K-Cup®. **REMARQUE : Ne perforez pas la K-Cup et n'enlevez pas son couvercle d'aluminium.**



4. Placez un godet K-Cup® dans le support à K-Cup (fig. 6). **ATTENTION : Le godet K-Cup® est perforé par deux aiguilles, une au-dessus du support à K-Cup et l'autre au fond du support à K-Cup. Pour éviter tout risque de blessure, ne pas mettre les doigts dans le boîtier du support à K-Cup.**

5. Abaissez la poignée pour fermer le couvercle sur le support à K-Cup. (Lorsqu'il est bien fermé, le bouton d'infusion (BREW) clignote pendant 60 secondes.)

6. Placez une tasse sur le plateau à tasse et choisissez le format d'infusion (fig. 7), puis appuyez sur le bouton d'infusion (BREW) (fig. 8). **REMARQUE : Si vous n'appuyez pas sur le bouton d'infusion (BREW) dans les 60 secondes, la cafetière retournera au mode repos et le bouton d'infusion (BREW) cessera de**

fig. 5



fig. 6



fig. 7



clignoter pour éviter toute activation accidentelle. Pour le réactiver, soulevez complètement la poignée puis rabaissez-la.

7. Il peut y avoir un léger délai avant que le café commence à couler. Le processus d'infusion complet dure environ une minute et se termine par un jaillissement d'air permettant d'évacuer tout le liquide de la K-Cup. **ATTENTION : L'eau se trouvant dans le support à K-Cup durant l'infusion est extrêmement chaude. Pour éviter tout risque de blessure, ne pas soulever la poignée ni ouvrir le boîtier du support à K-Cup durant le cycle d'infusion.**

8. À la fin de l'infusion, le message « KEURIG BREWED, SAVOUREZ » s'affiche.
9. Soulevez la poignée, retirez la K-Cup et jetez-la. **ATTENTION : La K-Cup est chaude.**
10. Il ne vous reste plus qu'à savourer votre première tasse de café gourmet, de thé ou de chocolat chaud Keurig Brewed®!
11. Si votre cafetière indique ensuite « CHAUFFAGE — ATTENDRE », c'est qu'elle réchauffe l'eau pour une prochaine infusion.

fig. 8



SECTION 1 Préparation et première infusion (suite)

Annulation d'une infusion

Pour annuler une infusion en cours, appuyez sur l'interrupteur pour éteindre la cafetière. L'écoulement du café, du thé ou du chocolat chaud s'arrêtera, et l'élément chauffant de même que l'écran ACL s'éteindront. **REMARQUE : Il est possible que vous ayez plus de café, de thé ou de chocolat chaud dans votre tasse lors de la prochaine infusion. Nous vous recommandons d'effectuer une infusion de nettoyage à l'eau seulement après l'annulation d'une infusion. Votre prochaine infusion vous donnera ensuite la quantité voulue.**

fig. 9

Ajout d'eau

L'écran ACL de votre cafetière vous indiquera que le niveau d'eau dans le réservoir est bas ou que le réservoir a été enlevé en affichant « **REPLIR LE RÉSERVOIR D'EAU** » (fig. 9). Il est impossible de faire une infusion lorsque le message « **REPLIR LE RÉSERVOIR D'EAU** » est affiché (fig. 9).

Le réservoir d'eau peut être rempli de trois façons.

1. Enlevez le réservoir d'eau de la cafetière en retirant d'abord le couvercle du réservoir. Soulevez ensuite le réservoir à la verticale puis vers la droite. Remplissez d'eau. Remplacez le réservoir d'eau sur la cafetière et remettez le couvercle.



IMPORTANT : Ne pas enlever le réservoir d'eau pendant le processus d'infusion.

2. Enlevez le couvercle du réservoir d'eau et versez de l'eau directement dans le réservoir alors que celui-ci est fixé à la cafetière, puis remplacez le couvercle.
3. La cafetière peut aussi être reliée directement à la conduite d'eau. Pour commander une trousse d'installation de plomberie pour la cafetière B150, veuillez composer le 1 888 287-2739.



Eau chaude

Votre cafetière peut vous donner de l'eau chaude pour préparer un chocolat chaud en sachet, pour cuisiner, etc. Il suffit de suivre les instructions de la page 25 – « Infusion de votre première tasse », sans insérer de K-Cup. **REMARQUE :** Après avoir infusé un godet K-Cup de chocolat chaud, nous vous recommandons d'effectuer un cycle d'infusion sans K-Cup.

Vidange de la cafetière

Si la cafetière n'a pas été utilisée pendant plus d'une semaine, vous devriez vidanger l'eau du réservoir interne.

1. S'il y a de l'eau dans le réservoir, enlevez le couvercle puis soulevez le réservoir à la verticale pour le retirer de la cafetière. Jetez l'eau, rincez le réservoir et remplissez-le à nouveau. Remplacez le réservoir d'eau sur la cafetière et remettez le couvercle. (S'il n'y a pas d'eau dans le réservoir, remplissez-le simplement d'eau fraîche.)
2. Assurez-vous que la cafetière est en marche. Soulevez et rabaissez la poignée sans insérer de K-Cup.
3. L'écran ACL affiche le message de repos (fig.4).

fig. 10



4. Placez une grande tasse sur le plateau à tasse et choisissez le format de grande tasse (296 ml/10 oz) dans le menu Choisir le format (fig. 10).
5. Jetez l'eau.
6. Répétez les étapes 2 à 5 deux autres fois pour vidanger complètement l'eau du réservoir interne.

SECTION 2 Menu de commandes et voyants

Mode MENU

Pour accéder au MODE MENU, vous devez d'abord éteindre la cafetière. Appuyez sur l'écran avec votre doigt pendant que vous appuyez sur l'interrupteur puis le relâchez. Continuez à appuyer sur l'écran pendant 5 secondes (fig. 11). L'écran MENU s'affichera. (fig. 12).

Pour accéder à une fonction, appuyez sur le bouton correspondant du menu. Veuillez vous reporter à la section Navigation dans les menus à la page 28.

Pour tout problème avec votre cafetière, veuillez communiquer avec le Service à la clientèle au 1 866 287-2739.



fig. 11

 5 secondes.

fig. 12



Navigation dans les menus

Accueil

Appuyez sur ACCUEIL à tout moment pour remettre la cafetière en mode repos.

Horloge

Le réglage de l'horloge est facultatif. Pour programmer l'horloge, suivez les instructions à la page 30.

Température d'infusion

La température d'infusion est pré réglée à 89,4 °C/193 °F. Vous n'avez pas à régler la température d'infusion, mais vous pouvez l'ajuster de 2,7 °C/5 °F vers le haut ou vers le bas. Suivez simplement les instructions à la page 30.

Formats d'infusion

Cinq formats d'infusion sont offerts : 118 ml/4 oz, 177 ml/6 oz, 237 ml/8 oz, 296 ml/10 oz et 336 ml/12 oz. Pour programmer les formats d'infusion, suivez les instructions à la page 31.

Arrêt automatique

L'arrêt automatique vous permet de programmer votre cafetière pour qu'elle s'éteigne automatiquement deux heures après la dernière infusion. Voir les instructions de programmation à la page 31.

Marche/arrêt automatiques

Vous pouvez laisser votre cafetière en marche en tout temps et utiliser l'interrupteur pour l'éteindre. Vous pouvez aussi programmer votre cafetière pour qu'elle se mette en marche à une heure déterminée, comme il est indiqué à la page 31.

Langue

La langue par défaut utilisée sur cette cafetière est l'anglais. Pour changer la langue d'affichage, suivez les instructions de la page 32.

Coordonnées

La fonction Coordonnées vous permet de programmer les coordonnées dont vous avez besoin pour le soutien et le dépannage de la cafetière. Pour les programmer, suivez simplement les instructions à la page 32.



SECTION 2 Menu de commandes et voyants (suite)

Réglage de l'horloge

Le réglage de l'horloge est facultatif. Quand l'horloge est réglée, l'heure apparaît sur l'écran ACL. **REMARQUE : Vous devez régler l'horloge pour programmer les fonctions de mise en marche et d'arrêt automatiques de la cafetière.**

fig. 13



1. Dans le mode Menu, appuyez sur « HORLOGE ».
2. L'écran de réglage de l'horloge affiche « DÉSACTIVÉ » si la cafetière est neuve ou s'il y a eu interruption de l'alimentation électrique. Appuyez sur « DÉSACTIVÉ » pour régler l'horloge. Appuyez plusieurs fois sur « H » pour faire avancer les heures une à une, ou appuyez de façon continue pour les faire défiler rapidement. Une fois les heures réglées, appuyez sur « M » pour régler les minutes. Appuyez plusieurs fois pour les faire avancer une à une, ou appuyez de façon continue pour les faire défiler rapidement (fig. 13).
3. Appuyez sur « OK » quand vous avez terminé. L'horloge est maintenant réglée.

4. L'heure devrait maintenant apparaître sur la page d'accueil de l'écran ACL. **REMARQUE : Si l'alimentation électrique est interrompue, l'heure ne sera plus visible. Suivez la procédure ci-dessus pour régler l'heure à nouveau. Les réglages de formats et de température d'infusion seront rétablis automatiquement. Tous les autres réglages seront rétablis automatiquement après le réglage de l'horloge.**

REMARQUE : Pour désactiver l'horloge, appuyez sur l'heure. Les heures de mise en marche et d'arrêt seront elles aussi désactivées.

Réglage de la température d'infusion (88,7 °C/ 188° – 92,2 °C /198° F)

La cafetière infuse à une température préréglée de 89,4 °C (193 °F). Vous pouvez ajuster la température de 2,7 °C/5 °F vers le haut ou vers le bas. Suivez simplement les instructions ci-dessous.

fig. 14



1. Dans le mode Menu, appuyez sur « TEMPÉRATURE ».
2. L'écran ACL affiche maintenant les options de programmation de la température d'infusion (fig. 14). La température par défaut, 193 °F (89,4 °C) apparaît au haut de l'écran pour indiquer le réglage actuel de la température.
3. Appuyez sur « + » pour augmenter la température, et sur « - » pour abaisser la température d'un degré F à la fois.
4. Quand vous avez atteint la température d'infusion désirée, appuyez sur « OK ». La température d'infusion est maintenant réglée.
5. Pour changer la température d'infusion, répétez les étapes 1 à 4. **REMARQUE : Si vous êtes à une altitude élevée (plus de 1500 m/5000 pi) et que l'eau bout, utilisez la fonction de réglage de la température pour abaisser la température d'infusion (-5 °F).**

Programmation des formats d'infusion

Par défaut, tous les formats d'infusion sont activés. Si vous souhaitez désactiver certains formats, appuyez simplement sur l'icône ou les icônes appropriée(s). Veuillez suivre les instructions suivantes.

fig. 15



1. Dans le mode Menu, appuyez sur « FORMATS ».
2. L'écran ACL affichera tous les formats d'infusion activés. Pour désactiver un format, appuyez sur l'icône appropriée. Le crochet s'effacera et un « X » indiquera que le format d'infusion a été désactivé (fig. 15).
3. Une fois les formats désirés sélectionnés, appuyez sur « OK ». Les formats d'infusion sont maintenant réglés.

REMARQUE : Vous ne pouvez pas désactiver tous les formats d'infusion. Pour réactiver un format que vous venez de désactiver, appuyez simplement sur l'icône de ce format puis sur « OK ».

Programmation des fonctions de mise en marche et d'arrêt automatiques

La cafetière est dotée de trois modes de fonctionnement pour vous permettre de savourer du café, du thé ou du chocolat chaud comme il vous convient.

1. **Cafetière laissée allumée en tout temps.** La cafetière peut être laissée allumée en tout temps de manière à ce qu'elle soit toujours prête à infuser une tasse de café gourmet, de thé ou de chocolat chaud. À tout moment, pour éteindre la cafetière, appuyez simplement sur l'interrupteur. Appuyez de nouveau sur l'interrupteur pour remettre la cafetière en marche. Vous devrez attendre que l'eau soit chaude avant que la cafetière soit prête à être utilisée.

fig. 16



2. Programmation d'une heure précise de mise en marche/arrêt. **REMARQUE :** Pour utiliser cette fonction de programmation, l'horloge doit être réglée à la bonne heure.

- a. Après avoir réglé l'horloge à la bonne heure (voir « Réglage de l'horloge » à la page 30), revenez au mode Menu et appuyez sur « HEURE ON/OFF AUTO ».
- b. Pour régler l'heure de mise en marche « ON », appuyez sur « DÉSACTIVÉ ». Une heure s'affiche à l'écran. Appuyez sur « H » pour régler les heures et sur « M » pour régler les minutes. Une fois l'heure réglée, appuyez sur « OK » pour accepter l'heure.
- c. Pour régler l'heure d'arrêt « OFF », appuyez sur « DÉSACTIVÉ ». Une heure s'affiche à l'écran. Appuyez sur « H » pour régler les heures et sur « M » pour régler les minutes. Une fois l'heure réglée, appuyez sur « OK » pour accepter l'heure (fig. 16).

SECTION 2 Menu de commandes et voyants (suite)

3. Réglage de la cafetière pour qu'elle s'éteigne automatiquement deux heures après la dernière infusion.

fig. 17



a. Dans le mode Menu, appuyez sur « ARRÊT AUTOMATIQUE ». L'écran ACL affiche maintenant les options de programmation de l'arrêt automatique (fig. 17).

b. Pour activer la fonction d'arrêt automatique, appuyez sur « ON ». Le message « ACTIVÉ » apparaît à l'écran. Appuyez sur « OK ». Pour désactiver la fonction d'arrêt automatique, appuyez sur « OFF ». Le message « DÉACTIVÉ » apparaît à l'écran. Appuyez sur « OK ».

fig. 18



Réglage de la langue

La langue par défaut utilisée sur cette cafetière est l'anglais. Pour choisir le français ou l'espagnol comme langue par défaut, suivez les instructions suivantes.

1. Dans le mode Menu, appuyez sur « LANGUE ».
2. L'écran ACL affiche maintenant les options de programmation de la langue (fig. 18).
3. Appuyez sur le bouton de la langue désirée, puis appuyez sur « OK » pour confirmer votre choix.

Réglage des coordonnées

fig. 19



Par défaut, l'écran de coordonnées contient les renseignements suivants : Keurig, Inc. et www.keurig.com.

Vous pouvez reprogrammer la cafetière avec vos propres coordonnées. L'écran de coordonnées s'affiche dans l'économiseur d'écran.

1. Dans le mode Menu, appuyez sur « COORDONNÉES ». Les coordonnées par défaut de Keurig s'affichent à l'écran (fig. 19).
2. Appuyez sur l'onglet du haut (nom de l'entreprise). Un pavé de touches s'affiche ainsi que les renseignements actuellement en mémoire (fig. 20). **REMARQUE : Les coordonnées de Keurig s'affichent à l'écran, à moins qu'elles n'aient été changées par l'utilisateur.**

fig. 20



a. Appuyez plusieurs fois sur la touche « EFFACER » pour enlever les renseignements en mémoire. Entrez les nouveaux renseignements à l'aide du pavé de touches.

REMARQUE : Pour choisir les majuscules, minuscules, chiffres, majuscules accentuées et minuscules accentuées, appuyez sur la touche de changement de pavé de touches située au bas et au centre de l'écran.

- b. Appuyez sur « OK » pour sauvegarder les changements et revenir à l'écran de coordonnées principal. **REMARQUE : Si vous utilisez la touche fléchée arrière, l'écran de coordonnées principal s'affichera sans que les changements soient sauvegardés.**

fig. 21



3. Appuyez sur l'onglet du centre (n° de téléphone). Un pavé numérique s'affiche ainsi que les renseignements actuellement en mémoire (fig. 21).

a. Effacez le numéro de téléphone en mémoire et entrez les nouveaux renseignements à l'aide du pavé numérique.

b. Appuyez sur « OK » pour sauvegarder les changements et revenir à l'écran de coordonnées principal.

4. Appuyez sur l'onglet du bas. Cet onglet peut être personnalisé et contenir tout type de renseignements (adresse Web ou de courriel, nom de la personne-ressource, etc.) (fig. 22).

fig. 22



a. Entrez les nouveaux renseignements à l'aide du pavé de touches.

b. Appuyez sur « OK » pour sauvegarder les changements et revenir à l'écran de coordonnées principal.

c. Appuyez sur « OK » dans l'écran de coordonnées principal (fig. 19), pour sauvegarder les nouveaux renseignements et revenir à l'écran Menu.

SECTION 3 Nettoyage et entretien

Nettoyage des pièces externes

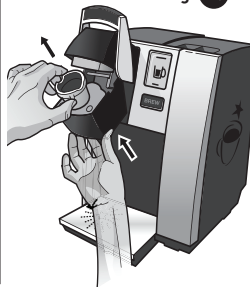
Il est recommandé de nettoyer régulièrement les éléments externes de la cafetière.

1. Ne plongez jamais la cafetière dans l'eau ni dans tout autre liquide. Le boîtier et tous les autres éléments externes peuvent être nettoyés à l'aide d'un chiffon non abrasif et d'eau savonneuse.

2. La cuvette d'égouttage peut recueillir jusqu'à 354 ml (12 oz) de liquide. La cuvette d'égouttage et le plateau à tasse doivent être vidés et rincés régulièrement. Pour enlever la cuvette d'égouttage, tirez-la simplement vers vous en prenant soin de toujours la garder à l'horizontale pour éviter que le contenu ne se renverse. La cuvette d'égouttage et le plateau à tasse ne devraient pas être mis au lave-vaisselle. Ils doivent être nettoyés à l'aide d'un chiffon non abrasif et d'eau savonneuse, puis rincés soigneusement.

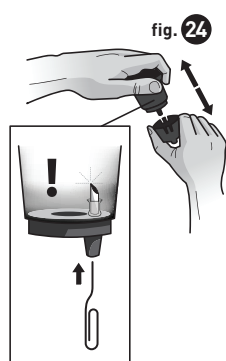
Nettoyage de l'assemblage du support à K-Cup®

fig. 23



1. **Nettoyage des pièces** —L'assemblage du support à K-Cup peut être placé dans le panier supérieur du lave-vaisselle. **REMARQUE : Utilisez les cycles à basse température du lave-vaisselle.** Pour enlever l'assemblage du support à K-Cup de la cafetière, ouvrez le couvercle en soulevant la poignée. Saisissez le dessus du support à K-Cup d'une main et, de l'autre main, poussez le fond du support à K-Cup vers le haut jusqu'à ce que celui-ci se libère (fig. 23). Après le nettoyage, enlevez le support à K-Cup avec l'ouverture en vous

SECTION 3 Nettoyage et entretien (suite)



guidant sur les deux rainures à l'avant et enclenchez-le en place.

2. Nettoyage de l'entonnoir — L'entonnoir peut être enlevé du support à K-Cup en tirant dessus jusqu'à ce qu'il se déclenche (fig. 24). Il peut être mis au lave-vaisselle. Pour le remettre en place, il suffit de l'enclencher dans le support à K-Cup.

3. Nettoyage de l'aiguille de sortie — L'aiguille de sortie se trouve au fond du support à K-Cup. Si des grains de café l'obstruent, elle peut être nettoyée à l'aide d'une trombone ou d'un instrument similaire. Enlevez le support à K-Cup et détachez l'entonnoir. Insérez la trombone dans l'aiguille de sortie (tel qu'illustré à la fig. 24) pour enlever ce qui l'obstrue, puis rincez à l'eau. L'assemblage du support à K-Cup peut être placé dans le panier supérieur du lave-vaisselle.

REMARQUE : Utilisez les cycles à basse température du lave-vaisselle.

ATTENTION : Les parties inférieure et supérieure du support à K-Cup sont munies d'aiguilles pointues servant à perforer le godet K-Cup®. Pour éviter tout risque de blessure, ne pas mettre les doigts dans le boîtier du support à K-Cup.

Nettoyage du réservoir d'eau et de son couvercle

Le couvercle du réservoir d'eau et le réservoir d'eau ne vont pas au lave-vaisselle. Ils doivent être nettoyés à l'aide d'un chiffon non abrasif et d'eau savonneuse, puis rincés soigneusement. Ne séchez pas l'intérieur du réservoir d'eau à l'aide d'un chiffon, car des peluches pourraient y rester.

ATTENTION : Veuillez rincer le réservoir d'eau à fond après le nettoyage pour vous assurer qu'aucune solution nettoyante ne reste à l'intérieur, car celle-ci pourrait contaminer l'eau du réservoir.

Détartrage

La teneur en minéraux de l'eau varie d'un endroit à un autre. Selon la teneur en minéraux de l'eau de votre région, il peut y avoir accumulation de dépôts calcaires ou de tartre dans votre cafetière. Le tartre n'est pas toxique, mais s'il n'est pas enlevé, il peut nuire à la performance de votre cafetière. Un détartrage de votre cafetière aide à garder en bon état l'élément chauffant et les autres pièces internes en contact avec l'eau.

La cafetière devrait subir un détartrage tous les trois à six mois pour assurer son fonctionnement optimal. Il arrive que le tartre s'accumule plus rapidement; il est alors nécessaire de procéder au détartrage plus souvent.

Procédure de détartrage

A. PRÉPARATION

1^{re} étape : Assurez-vous d'avoir au moins 2,6 litres (90 oz) de vinaigre blanc non dilué. Vous aurez également besoin d'un évier vide et d'une grande tasse en céramique (n'utilisez pas de gobelet en papier).

2^e étape : Videz l'eau du réservoir.

3^e étape : Désactivez les fonctions « Arrêt automatique » et « Marche/arrêt automatiques » (pages 31-32).

B. REMPLISSAGE ET NETTOYAGE

1^{re} étape : Remplissez le réservoir d'eau de vinaigre.

2^e étape : Placez une grande tasse sur le plateau à tasse et lancez un cycle d'infusion **SANS INSÉRER DE K-CUP®**, en choisissant le format d'infusion pour grande tasse. Jetez ensuite le contenu de la tasse dans l'évier.

3^e étape : Répétez le cycle d'infusion 3 fois.

4^e étape : Laissez la cafetière allumée reposer pendant au moins 4 heures.

C. RINÇAGE

1^{re} étape : Assurez-vous que le réservoir d'eau est rempli d'eau fraîche.

2^e étape : Placez une grande tasse sur le plateau à tasse et lancez un cycle d'infusion. Jetez ensuite le contenu de la tasse dans l'évier.

3^e étape : Répétez le processus d'infusion jusqu'à ce que le réservoir d'eau soit vide.

4^e étape : Vous devrez peut-être effectuer des cycles de rinçage supplémentaires si vous décelez une odeur ou un goût résiduel de vinaigre.

Réparation

À l'exception des procédures de nettoyage et d'entretien recommandées, cette cafetière ne peut pas être réparée par l'utilisateur. Pour faire réparer l'appareil, veuillez vous reporter à la section Garantie de ce manuel.

Entreposage

Vidange de la cafetière

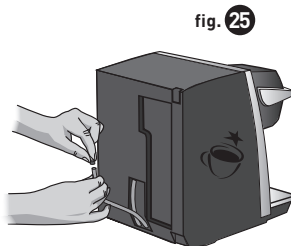
1. Éteignez et débranchez la cafetière. Laissez-la refroidir pendant environ 30 minutes.

2. Videz le réservoir d'eau en retirant d'abord le couvercle du réservoir. Soulevez ensuite le réservoir à la verticale puis vers la droite (le réservoir peut offrir une certaine résistance). Rincez et videz le réservoir d'eau.

3. Tournez la cafetière pour que l'arrière soit face à vous. Dévissez le bouton de retenue du panneau arrière, enlevez le panneau et mettez-le de côté. Si la vis est serrée, vous pourriez avoir à utiliser un tournevis plat. Tirez le tube vers le bas jusqu'à ce que l'extrémité soit dégagée (fig. 25). Enlevez le bouchon et vidangez l'eau du réservoir interne d'eau chaude dans un grand récipient placé dessous.

ATTENTION : Si la cafetière n'a pas eu suffisamment de temps pour refroidir, l'eau vidangée par le tube pourrait être très chaude. Rebouchez le tube.

REMARQUE : Pour éviter de perdre des pièces, réinsérez le tube et vissez le panneau arrière de la cafetière dès que vous avez terminé.



SECTION 4 Dépannage

Problème	Solution
La cafetière ne s'allume pas	<ul style="list-style-type: none">• Branchez la cafetière séparément.• Vérifiez que la cafetière est bien branchée.• Branchez la cafetière dans une autre prise.• Réenclenchez le disjoncteur de votre domicile au besoin.• Assurez-vous que l'interrupteur a été actionné et que l'écran ACL est allumé.
La cafetière n'infuse pas	<ul style="list-style-type: none">• Après avoir placé un godet K-Cup® dans le support à K-Cup, assurez-vous que la poignée est bien abaissée, que l'écran ACL affiche les formats d'infusion et que le bouton d'infusion (BREW) clignote. Choisissez votre format et appuyez sur le bouton d'infusion (BREW).• Si l'écran ACL indique « REMPLIR LE RÉSERVOIR D'EAU », versez de l'eau dans le réservoir ou assurez-vous que le réservoir est bien installé sur sa base.• Si l'écran ACL indique « REMPLIR LE RÉSERVOIR D'EAU » même après que vous ayez rempli le réservoir, communiquez avec le Service à la clientèle au 1 866 901-2739.• L'aiguille de sortie est peut-être obstruée (voir la page 34).
Le café a un goût de chlore ou de métal	<ul style="list-style-type: none">• Essayez d'utiliser de l'eau embouteillée ou filtrée, ou encore l'ensemble de départ pour filtre à eau de

Keurig® (offert au www.keurig.com).

Problème	Solution
La cafetière n'infuse pas une tasse complète	<ul style="list-style-type: none">• L'aiguille de sortie est peut-être obstruée (voir la page 34).• Nettoyez l'assemblage du support à K-Cup si nécessaire et rincez-le sous le robinet (voir les pages 33 et 34).• Le réservoir d'eau a peut-être été enlevé pendant l'infusion. Remplacez le réservoir d'eau et effectuez une infusion de rinçage sans insérer de K-Cup.• Procédez au détartrage de la cafetière (voir les pages 34 et 35).• Si vous avez répété les étapes de détartrage deux fois et que la cafetière continue d'infuser une tasse incomplète, communiquez avec le Service à la clientèle au 1 886 901-2739.
L'heure n'apparaît pas sur l'écran ACL	<ul style="list-style-type: none">• L'heure ne s'affiche pas tant qu'elle n'a pas été réglée. Pour régler l'horloge, suivez les instructions de la page 30.• Si l'alimentation électrique de la cafetière a été interrompue, vous devez régler à nouveau l'horloge en suivant les instructions de la page 30.
La cafetière s'allume ou s'éteint automatiquement	<ul style="list-style-type: none">• Assurez-vous que la minuterie d'arrêt automatique et les fonctions de mise en marche/arrêt automatiques n'ont pas été programmées. Pour ce faire, appuyez sur le bouton MENU et faites défiler les options de programmation. Les fonctions d'arrêt automatique et de marche/arrêt automatiques devraient être à la position « OFF » (DÉSACTIVÉE). Si la position « OFF » n'est pas affichée, suivez les instructions des pages 31 et 32 pour corriger les réglages.

Si le problème persiste, communiquez avec le Service à la clientèle au 1 866 901-2739.

SECTION 5 Garantie

Garantie limitée d'un an

Keurig® garantit que chaque cafetière est exempte de tout défaut de pièces ou de fabrication, **sous réserve d'une utilisation domestique normale**, pendant un an à partir de la date d'achat. Nous vous recommandons de remplir et de retourner la carte de garantie incluse avec votre cafetière pour que les données sur votre achat puissent être consignées dans notre système. Keurig réparera ou remplacera, à son choix, la cafetière défectueuse sans frais à la réception d'une preuve de la date d'achat. Si la cafetière doit être remplacée durant la période de garantie, elle pourra être remplacée par une cafetière neuve ou par une cafetière remise à neuf. La cafetière de remplacement est alors couverte par une nouvelle garantie limitée d'un an.

La présente garantie ne s'applique qu'aux cafetières utilisées au Canada et aux États-Unis. La présente garantie vous confère des droits légaux spécifiques et il se peut que vous bénéficiiez d'autres droits qui peuvent varier d'une province à l'autre, et, dans le cas des États-Unis, d'un État à l'autre.

Qu'est-ce qui n'est pas couvert par la garantie limitée?

LA PRÉSENTE GARANTIE NE S'APPLIQUE PAS AUX DOMMAGES INDIRECTS, TELS QUE LES DOMMAGES MATÉRIELS, ET NE COUVRE PAS LES FRAIS ET LES COÛTS ENGENDRÉS PAR UNE VIOLATION DE LA GARANTIE, MÊME S'ILS SONT PRÉVISIBLES. Certaines provinces ou certains États n'autorisent pas l'exclusion ou la limitation de dommages indirects. Par conséquent, selon la province ou l'État où vous avez acheté l'appareil, les exclusions ou les limitations susmentionnées peuvent ne pas s'appliquer à vous.

La présente garantie ne s'applique pas non plus aux dommages causés par : des réparations effectuées par d'autres personnes que le personnel de Keurig ou l'un de ses fournisseurs de services autorisés; l'utilisation de

pièces autres que les pièces d'origine Keurig; des causes externes, telles qu'un abus, une mauvaise utilisation, une mauvaise alimentation en électricité ou des catastrophes naturelles.

Autres limitations

LA PRÉSENTE GARANTIE EST EXCLUSIVE ET TIENT LIEU DE TOUTE AUTRE GARANTIE EXPRESSE, VERBALE OU ÉCRITE. DE PLUS, KEURIG EXCLUT SPÉCIFIQUEMENT TOUTE AUTRE GARANTIE TOUCHANT LA CAFETIÈRE B150, Y COMPRIS TOUTE GARANTIE IMPLICITE RELATIVE À LA QUALITÉ ET À L'ADAPTATION À UN USAGE PARTICULIER.

Certaines provinces et certains États n'autorisent pas les clauses exonératoires de telles garanties implicites ni les limitations concernant la durée des garanties implicites, et les limitations susmentionnées peuvent ne pas s'appliquer, selon la province ou l'État où vous avez acheté l'appareil.

Comment faire honorer la garantie?

Les cafetières Keurig sont des appareils de qualité qui, lorsqu'ils sont utilisés adéquatement, sont conçus pour durer plusieurs années. Si toutefois vous deviez avoir recours à la garantie, il vous suffit d'appeler au Service à la clientèle de Keurig en composant le numéro sans frais 1 888 287-2739.

Avant de retourner votre cafetière pour la faire réparer, vous devez d'abord communiquer avec un représentant du Service à la clientèle de Keurig pour obtenir un numéro d'autorisation de retour (ATR). Toute cafetière envoyée sans numéro d'autorisation de retour sera retournée à l'expéditeur sans avoir été réparée.

Keurig, Incorporated
55 Walkers Brook Drive
Reading, MA 01867
1 888 287-2739

60-201134-000 RevC 10/09

Keurig, Incorporated
55 Walkers Brook Drive
Reading, MA 01867

Keurig, Incorporated is a wholly-owned subsidiary of
Green Mountain Coffee Roasters, Inc.

CLICK, CALL OR SHOP | www.keurig.com | 1.888.CUP.BREW | At over 17,000 stores in the US and Canada



THIS PRODUCT IS FOR COMMERCIAL USE

Covered by U.S. Patents Numbers 7,398,726, 7,165,488,
7,347,138, 7,377,162, D544,299, 7,360,418 and other U.S. and
foreign patents pending.

Made and printed in China



CE PRODUIT EST DESTINÉ À UNE UTILISATION COMMERCIALE

Protégé par les brevets numéros 7398726, 7165488, 7347138,
7377162, D544299, 7360418 et autres brevets des États-Unis et
étrangers en instance.

Fabriqué et imprimé en Chine

© 2009 Keurig, Incorporated
Tous droits réservés. All rights reserved.