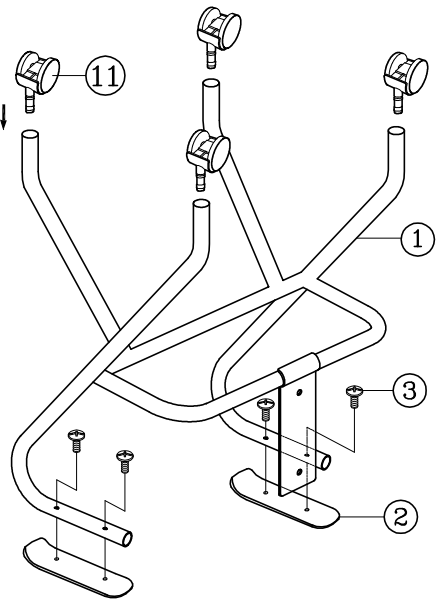
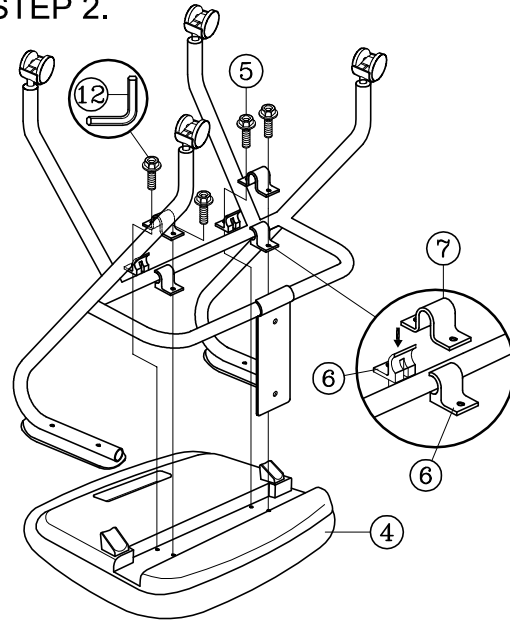


ASSEMBLY INSTRUCTIONS

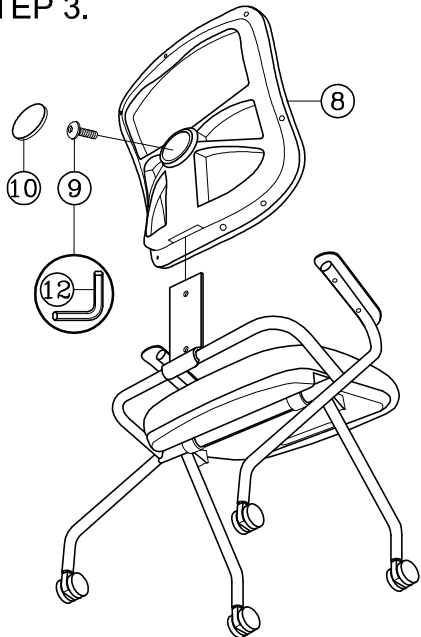
STEP 1.



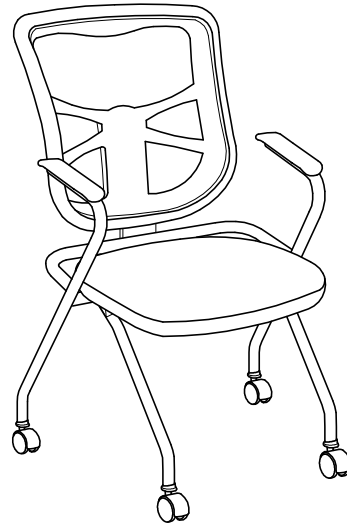
STEP 2.

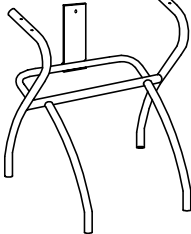
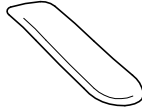
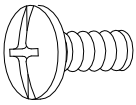

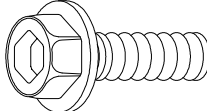
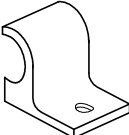
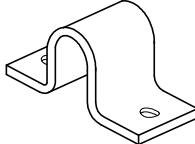
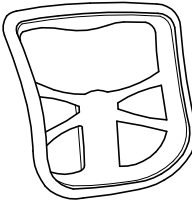
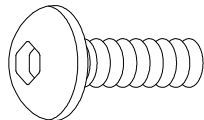

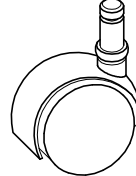
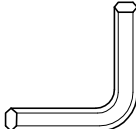


STEP 3.



STEP 4.



1.  Sled Base	2.  Arm Pad(2)	3.  Arm Pad Screw(4)
4.  Seat Cushion	5.  Seat Screw (4)	6.  Plastic Holder (4)
7.  Steel Holder (2)	8.  Back	9.  Holder Screw (1)
10.  Back Cover	11.  Caster(4)	12.  Allen Wrench

Model: ALE-EL4914
 Manufactured for / Hecho para / Fabriqué pour Alera® / Essendant Co.
 One Parkway North, Deerfield, IL 60015 © 2017 Essendant Co.
 Made in / Hecho en / Fabriqué à Taiwan
 Product support and parts : 1-800-733-4000
 Ayuda del producto y partes / Support technique et pieces