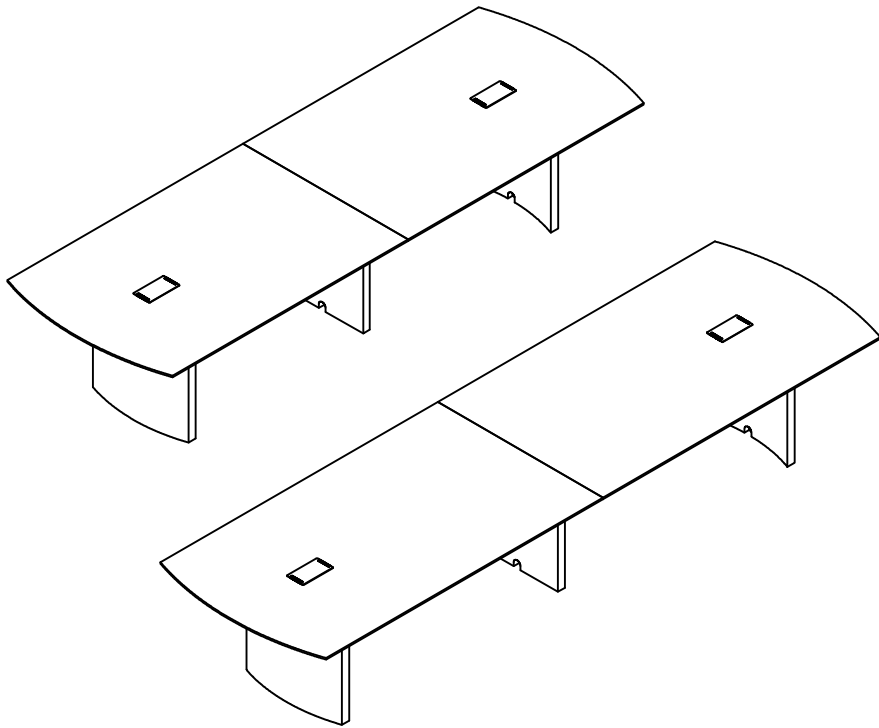








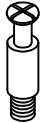
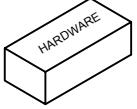
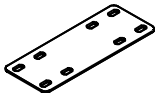
Medina Series™
 12' / 14' Conference Table
 Model No. MNC12/14



ASSEMBLY INSTRUCTIONS

CALL 1-800-822-8037 FOR ASSISTANCE

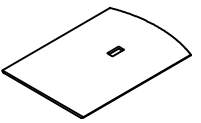
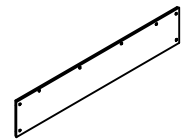
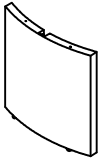
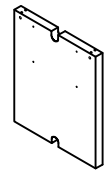
PARTS LIST

Name	Part	Qty.	Spare Qty	Name	Part	Qty.	Spare Qty
A	 REALS001 Cam Lock	16	1	E	 REALS043 M6x15mm	8	1
B	 REALS102SLV Cam Sticker/Silver	14	1	F	 REALS102** Cam Sticker	2	1
C	 REALS003 Cam Post	16	1		 MNCT120HB		
D	 REALS036 Mntg Plate	1					

Items with HB are in hardware box.

**Denotes Color Code

PARTS LIST

Name	Part	Qty.	Name	Part	Qty.
G	 MNMT~~ST** Top	2	I	 MNMT~~STI** Modesty Panel	4
H	 MNCB** Leg	2	J	 MNMTSL** Center Leg	1

NOTE:

- ①. 12' Conference Table 1/2 Top & Modesty Panel with Hardware packed in one carton - **MNMT72ST**
- ②. 14' Conference Table 1/2 Top & Modesty Panel with Hardware packed in one carton - **MNMT84ST**
- ③. Center Leg 12'/14' Conference Tables packed in one carton - **MNMTSL**
- ④. 2 Legs with Hardware packed in one carton - **MNCB**

~~Denotes Size - 72/84

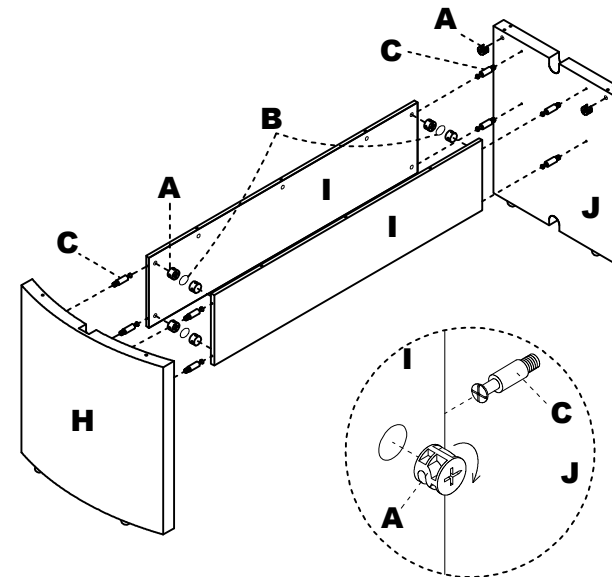
**Denotes Color Code

2

IMPORTANT!

Review ALL instructions before beginning assembly. These instructions are provided to avoid problems that may occur from improper assembly or installation. Mayline and/or its distributor are not responsible for failure resulting from improper assembly or installation of this product. Moreover, all warranties are void for failure to follow these assembly instructions.

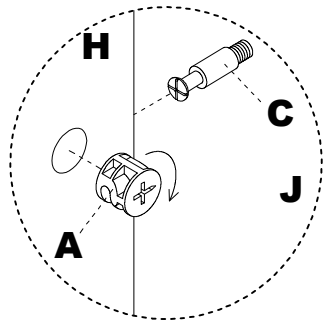
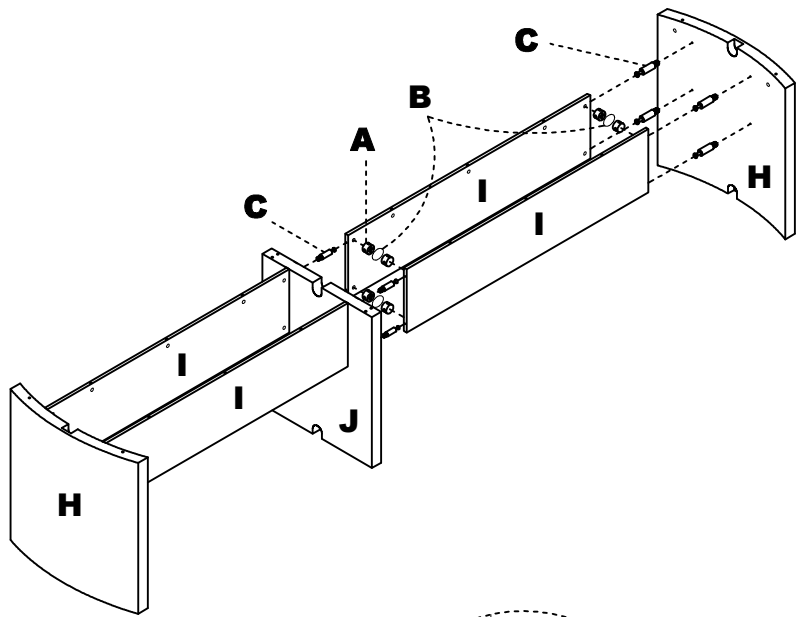
- ① Insert Cams (A) into the Modesty Panels (I) and MNCB Leg (H) and Center Leg (J). Install Cam Posts (C) into threaded inserts in MNCB Leg (H) and Center Leg (J). Attach Modesty Panels (I) to MNCB Leg (H) and Center Leg (J) by turning Cams (A). Apply Cam Stickers/Silver (B) to Cams (A) of Modesty Panels (I).



NOTE: The arrow on the face of the Cam (A) should point towards the Cam Post (C) for proper alignment.

3

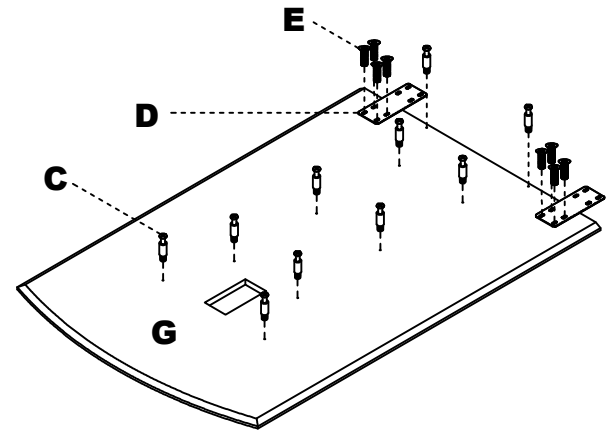
- ② Follow the Step ① to install the other MNCB Leg (H) and the other Modesty Panels (I).



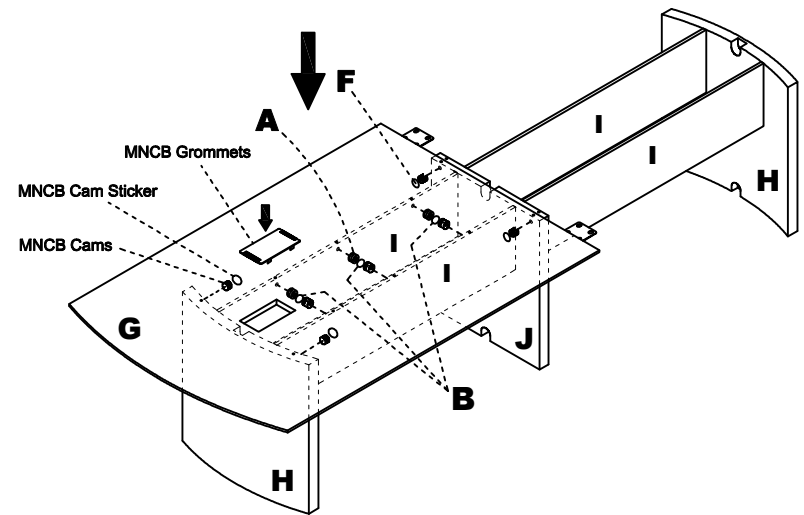
NOTE: The arrow on the face of the Cam (A) should point towards the Cam Post (C) for proper alignment.

4

- ③ Attach Mntg Plates (D) to the underside of adjacent Top (G) using Screws (E). Install Cam Posts (C) into threaded inserts in underside of Top (G).

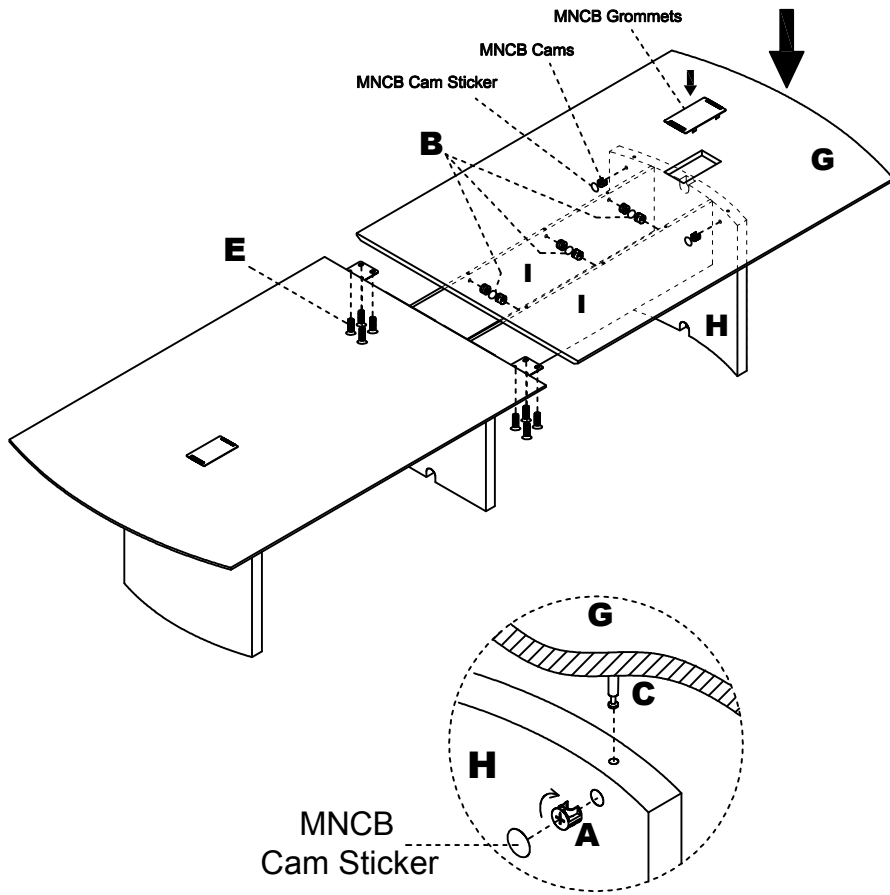


- ④ Place Top (G) onto Legs (H & J) and Modesty Panels (I) and lock in place by turning Cams (A). Apply MNCB Cam Stickers onto Cams (A) of Leg (H). Apply Cam Stickers/Silver (B) to Cams (A) of Modesty Panel (I). Insert Grommets into Top holes.



5

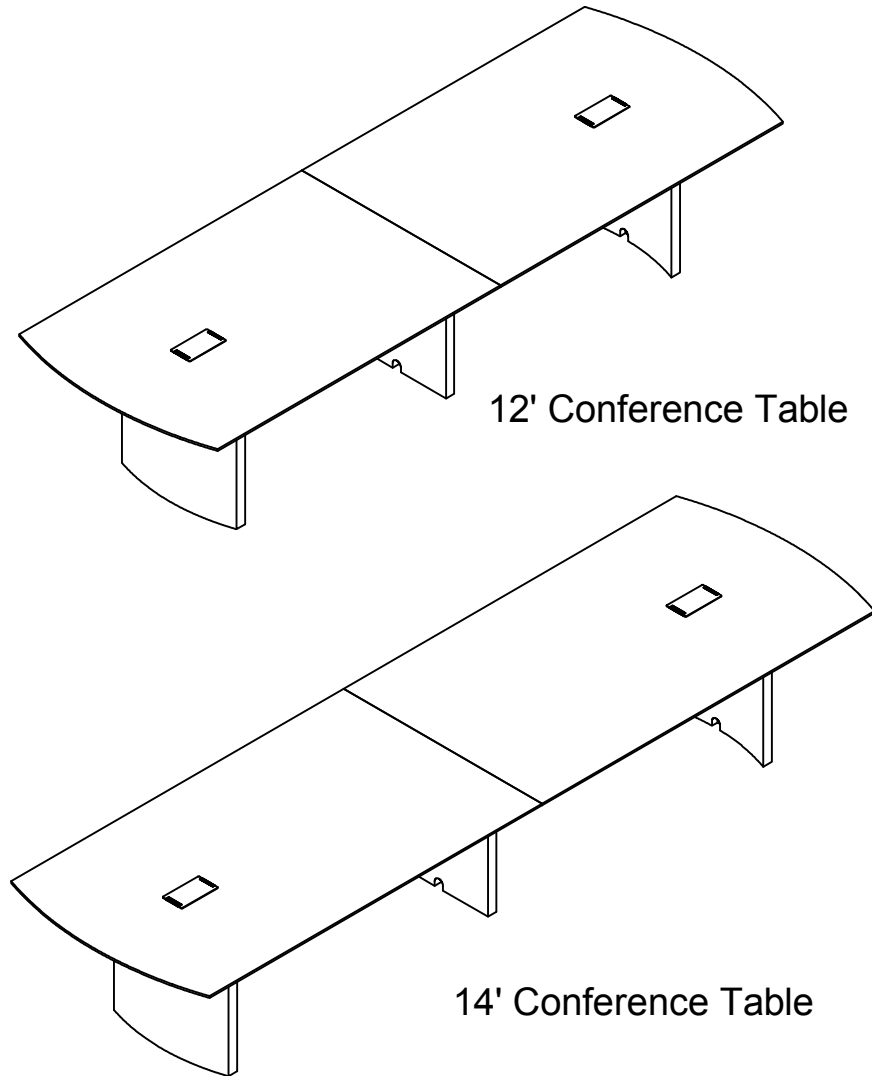
- 5** Follow the Step 4 to install the other Top (G) and the other MNCB Leg (H) and the other Modesty Panels (I). Attach the Top to the other Top using Screws (E).



NOTE: The arrow on the face of the Cam (A) should point towards the Cam Post (C) for proper alignment.

6

ATTENTION: Due to the floating design of the Medina Conference Table, care must be taken when moving the unit. Lift the desk by its base and avoid pushing the Conference Table.



7