



Welded Space Saver Storage Cabinet

Model Number: ALE-CM6615PY

Please Retain Instructions for Future Reference



READ THIS FIRST:

- BEFORE discarding carton, check all contents for damage or missing parts.
- CABINET KEYS are attached with a zip-tie to the inside of the cabinet right door.
- For fastest and damage-free installation, please carefully read and follow the assembly instructions.
- Do not use power tools on product.
- For product returns, parts and support, please call 1 (800) 733-4000.

Safety Instructions

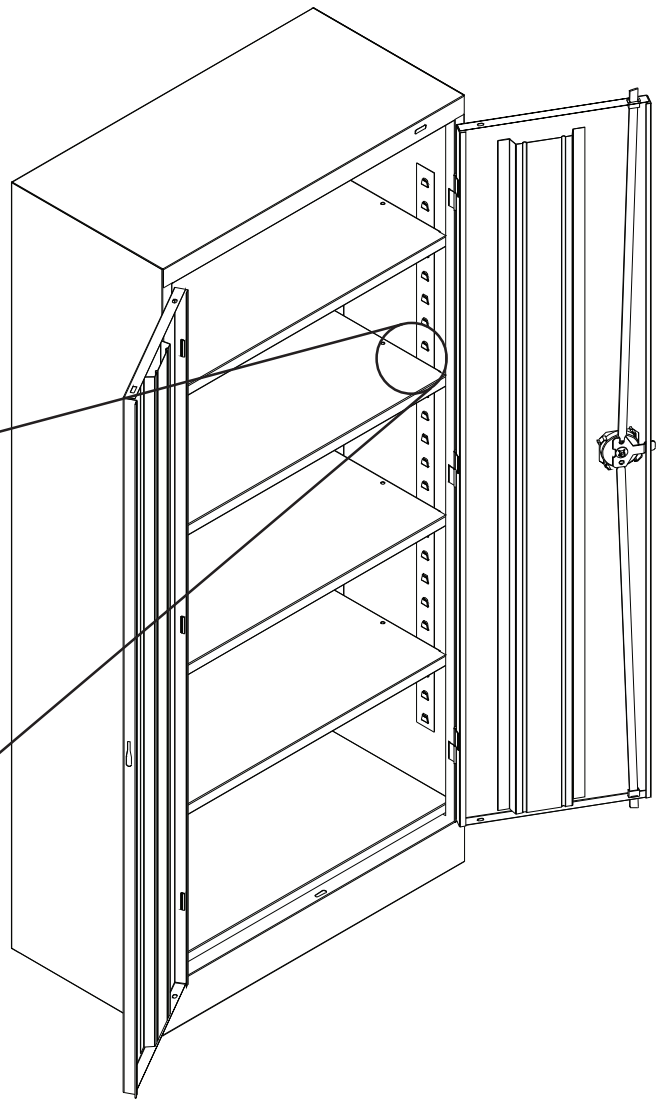
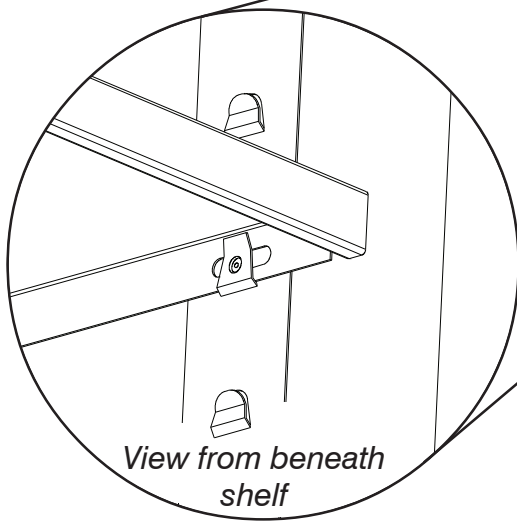
CAUTION: Use caution when handling and assembling metal parts. Metal may have sharp edges or corners. Manufacturer recommends the use of protective gloves while making adjustments to the product.

- This unit should be installed on a level surface.
- Do not use this unit as a step ladder. Do not climb on the unit.
- Do not exceed the manufacturer's recommended weight capacity of 150 lbs. / 68 kg. on each shelf for 18"d and 200 lbs. / 90 kg. on each shelf for 24"d.
- Always distribute weight evenly on shelves.
- The manufacturer recommends the storage of heavier items on bottom shelves.

All assembly instructions must be followed exactly or the unit may not be assembled correctly and may not be stable. Install the unit on a level surface.

Shelf Adjustment

1. Using a flat-head screwdriver, gently pull the dimpled tab away from the hole in the shelf edge. This will allow the shelf to be released and lifted from the tab.
2. Place the shelf at the desired level.
3. Insert the shelf edges into the tabs at the new location. Be sure that the shelf is securely fitted into the tabs at all points of contact.



REPLACEMENT PARTS

60" Tall Cabinets	
ALE-CM6615PY	
Putty (30"w x 15"d)	
PART DESCRIPTION	
Shelf	303
Left Door	SMLD
Right Door	SMRD
Hinge Pin	944HP
Locking Handle (for right door)	RH-1
Cam (included with RH-1 handle)	LC-1
Cam Retainer Clip (included with RH-1 handle)	944CR
Lock Bar	SMLB
Lock Bar Guide Insert (QTY 2)	944GI

TO OBTAIN PROPER REPLACEMENT PARTS, PLEASE PROVIDE THE FOLLOWING INFORMATION:

- Model Number
- Description of part(s) needed and part number(s) as shown in Parts List (above)
- Color (Champagne Putty, Light Grey, Black)
- Was item missing, or was it damaged?
- Purchase Date
- Your company name
- Contact person's name

USSCo, 1 Pkwy North, Ste 100, Deerfield, IL 60015 Customer Service: (800) 733-4000

If requesting parts by telephone, ask for customer service and have as much of the above information ready as possible.