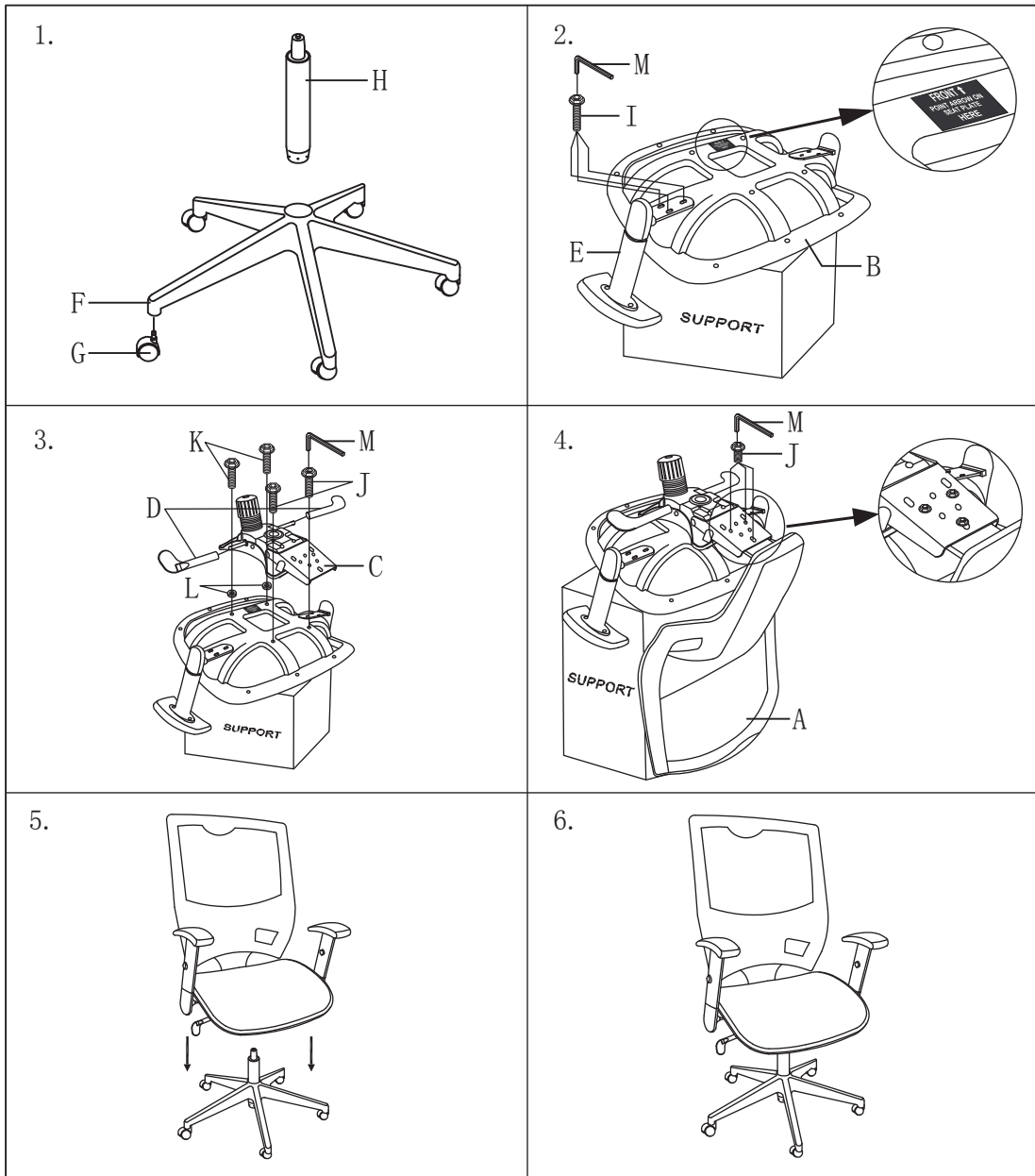




ASSEMBLY INSTRUCTIONS



A.		E.		I.		6 PCS
B.		F.		J.		5 PCS
C.		G.		K.		2 PCS
D.		H.		L.		2 PCS
	1 PC		1 PAIR			
	1 PC		1 PC			
	1 PC		5 PCS			
	1 PAIR		1 PC			
				M.		1 PC

Model: ALE-EP4218
 Manufactured for/ Hecho para/ Fabriqué pour Alera®/ USSCo,
 1 Parkway North, Suite 100, Deerfield, IL 60015 ©2011 USSCo
 Made in/ Hecho en/ Fabriqué en China
 Product support and parts: 1-800-733-4000
 Ayuda del producto y partes / Support technique et pieces

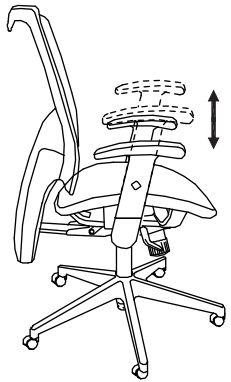


OPERATING INSTRUCTIONS

Model: ALE-EP4218

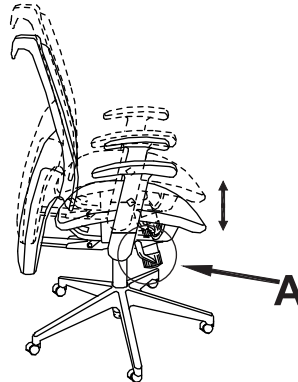
Arm Height (Armrest set sold separately)

To adjust the armrest height, push the button on the outside of the arm support and move the arm up or down. Release the lever to lock.



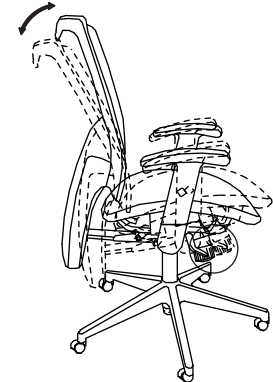
Seat Height

To raise the seat height, stand up from the chair while lifting the lever "A" under the right side of the seat. To lower the seat height, lift the lever "A" while sitting in the chair.



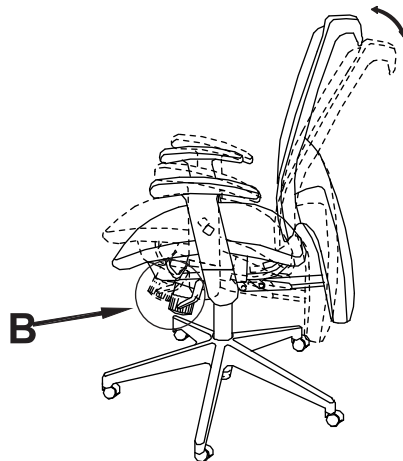
Tilt Tension

Knob underneath seat adjusts ease with which chair reclines to the different weights and strengths of different users. To increase tension turn knob to the right. To release tension (loosen), turn knob to the left.



Multiple Stop Tilt Lock and Upright Tilt Lock

To unlock the chair from an upright or reclined position, lift the lever "B" on the left side of the chair. To lock the angle of recline push down on the "B" lever.



Back height

Hold the back and lift it to a proper position. When it is lifted to the highest position, the back will drop down to the lowest position automatically.

