

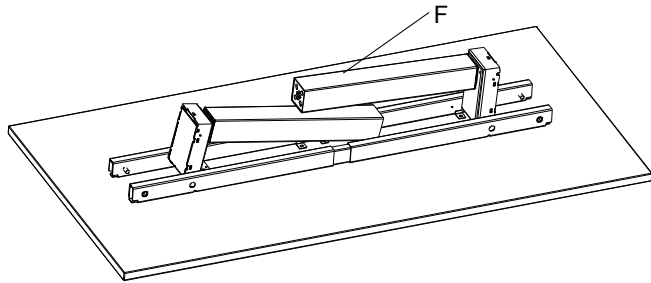


# ASSEMBLY INSTRUCTIONS

## 1. TABLE TOP NOT INCLUDED

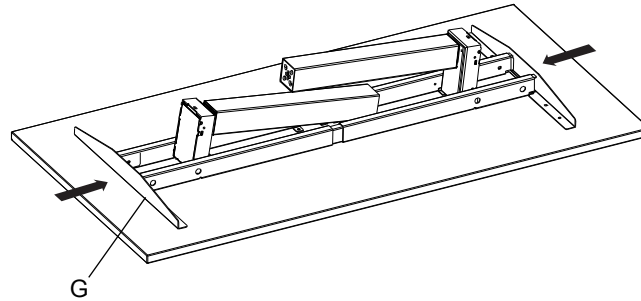
### CAUTION

- Do not lift legs without placing cross brackets first
- Please orient base so the plug from the control box will be closest to the electrical outlet



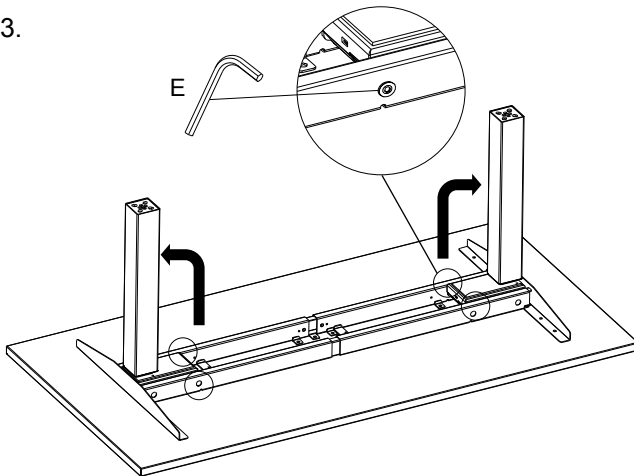
Put the main frame on the back side of the wood top

2.



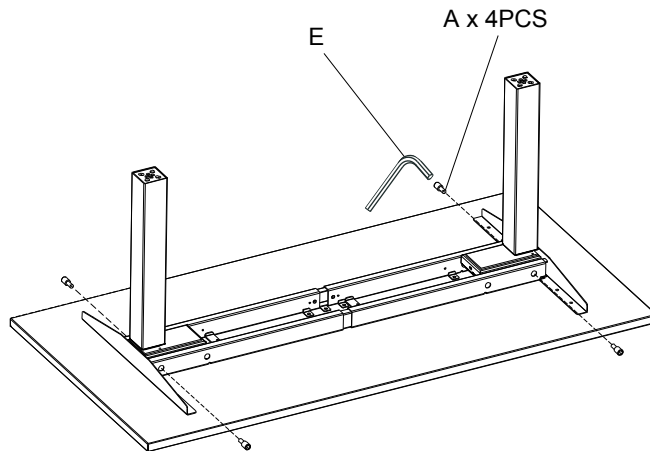
Install the cross brackets to the main frame

3.



Set the column straight, then tighten the screws inside the main frame

4.



A.



4 PCS

B.



2 PCS

C.



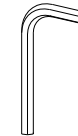
18 PCS

D.



8 PCS

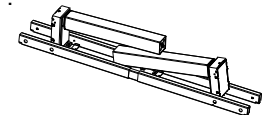
E.



Allen wrench #5

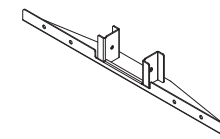
1 PC

F.



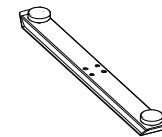
1 PC

G.



2 PCS

H.



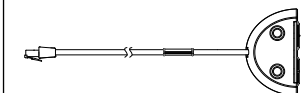
2 PCS

I.



1 PC

J.



1 PC

K.

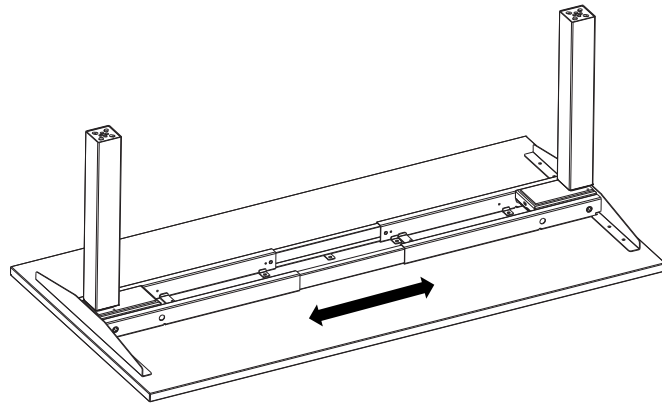


Allen wrench #4

1 PC

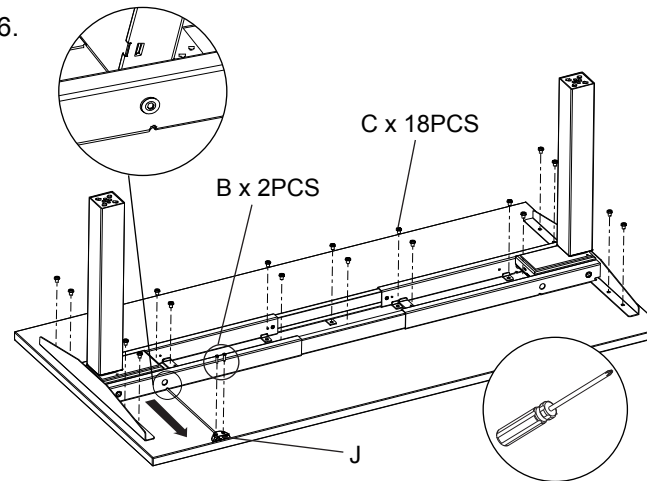
# ASSEMBLY INSTRUCTIONS

5.



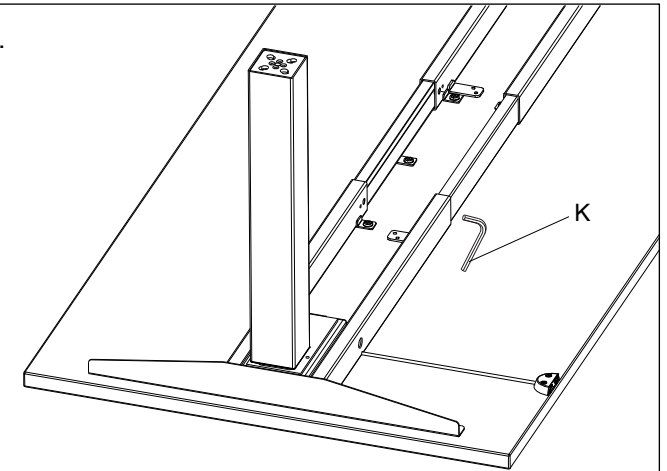
Adjust the width to fit the wood top

6.



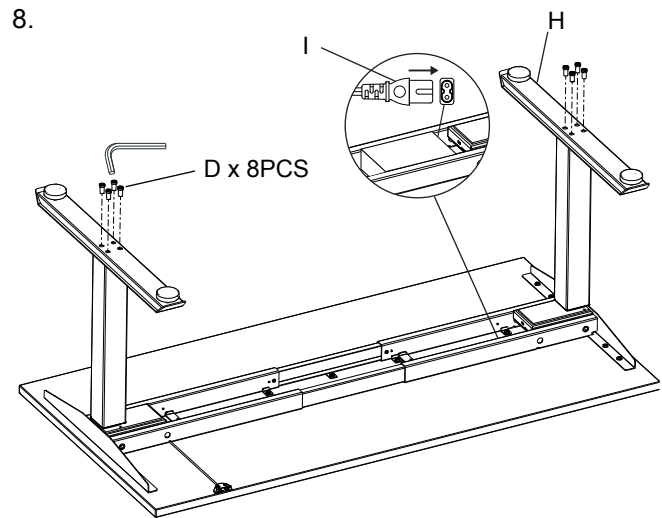
Ensure cable for controller passes through groove under table top before screwing onto table top

7.

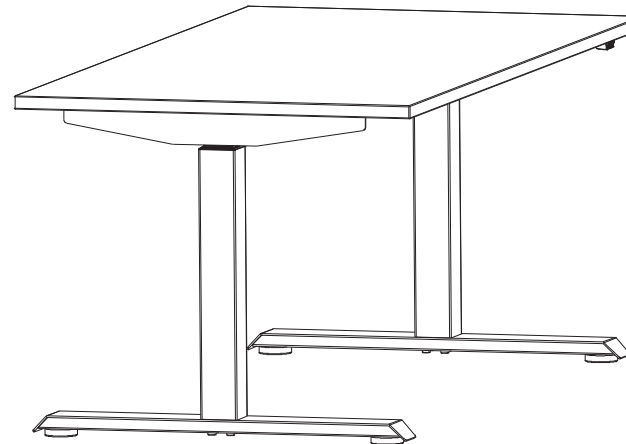


Tighten up the pre-installed screw

8.




9.



## CAUTION

1. Please ensure that space below/ above is clear when the table is moving up/ down
2. Please orient the table so the plug (from the control box) is closest to the wall outlet

## RESET THE TABLE BEFORE USE

1. To reset the table, press both  button at the same time for 3 seconds
2. Continue pressing the buttons until both columns are in lowest position
3. When finished resetting, the control box makes a sound and the buttons can be released
4. Now the system becomes operational



# TROUBLE SHOOTING

Problem	Evaluation	Solution
Table is not running	Need to check the following:	
	Is the power cable connected to the main power supply with correct voltage?	Connect plug to main power supply to make sure the voltage is ok.
	Make sure that all plugs are inserted correctly in the control box and to the columns.	Check all connections.
	One or more columns/cables are defective.	Perform a reset and move table up a bit. If a column will not move upwards after resetting, it is defective.
	Look for visible damages on cables, control box and columns.	Damaged parts must be exchanged - contact supplier.
The table operates irregularly or is tilted.	Visual observation.	Perform a reset.
The table stops and can only move downwards.	Is the table at its highest position?	When the table has reached the maximum height, it can only move downwards.
	The table could be overloaded.	Remove some of the load and perform again.
The table will only move downwards even though the frame is not overloaded.	Visual observation.	Perform a reset.
The table always stops at the same position, before reaching maximum height.	Has the system been programmed to this specific height?	Perform a reset.
	Is the table at its highest position?	When the table has reached the maximum height, it can only move downwards.
	The table could be overloaded.	Remove some of the load and perform again.
Not all columns move when you move the table downwards.	The column that does not run could be defective or the cable connection for the column is not working properly.	Check all connections, then perform a reset. If a column will not move upwards after resetting, it is defective.